



AutoLift AL-9000DD

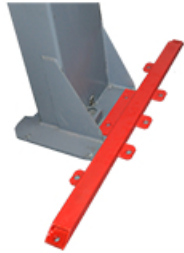
2 Post Electric Hydraulic Vehicle Hoist
4000 Kg Lifting Capacity
Base Plate Design for Lower Height Ceiling
For Mechanical Workshop Use

Bonus Inclusions:



Screw adjustable pads with
4 x 60mm 4WD height adaptors

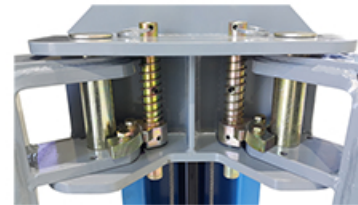
Optional Extras:



Base Frame
for concrete floor



One sided lock release

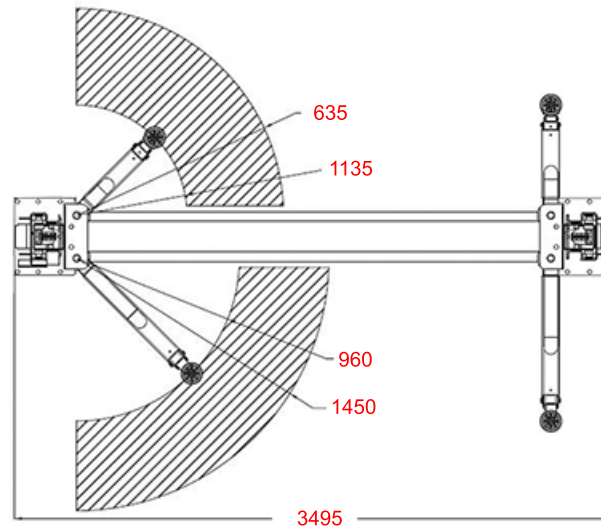
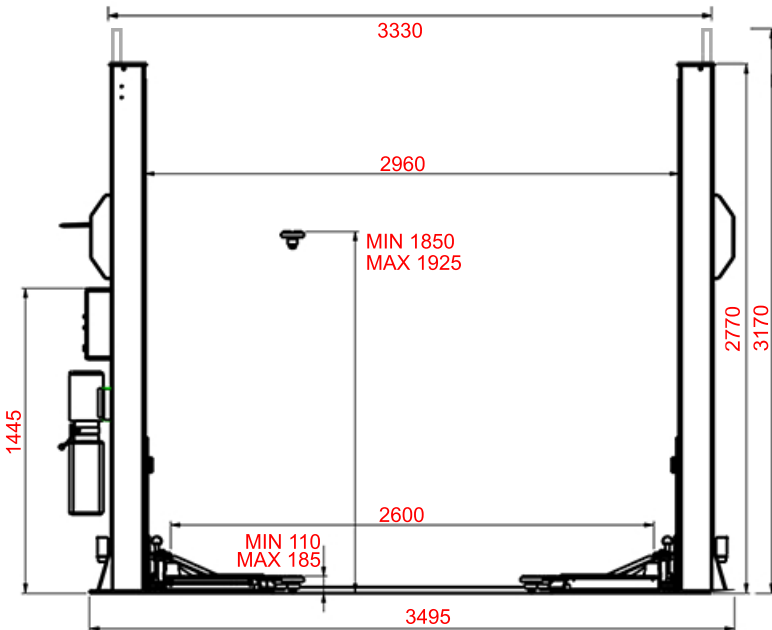


Automatic arm locks



Specification

- Height overall: 3170 mm (inc lock ladders)
- Width overall: 3495 mm
- Drive through width: 2600 mm
- Lifting height: 110~1925 mm
- Lifting capacity: 4000 kg
- Lifting speed: 50 - 60 seconds
- Power: 240V/50Hz/1Ph (15Amp) or 415V/50Hz/3Ph (20Amp)
- Gross weight: 690 kg
- Packing Size: 2850*940*450 mm



Features

- WorkSafe Design Registered
- Easy to operate manual lock release
- Economical and reliable
- Direct drive high pressure hydraulic cylinder for low maintenance
- Automatic arm locking system
- Power cable and hydraulic hose inside column
- Asymmetric telescopic arms
- Complete with low voltage control box