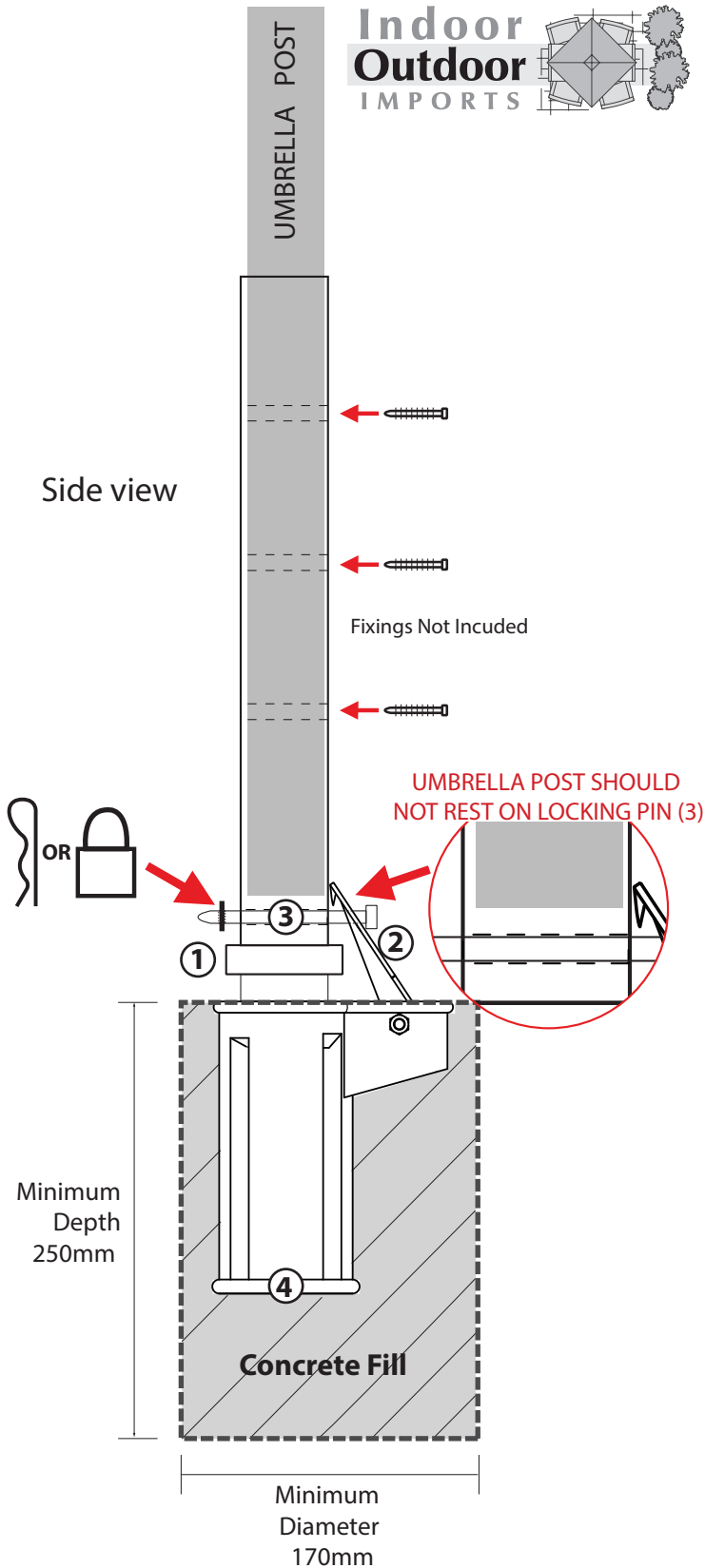


# INSTRUCTIONS

## In Ground Socket and Sleeve (IGBX06)



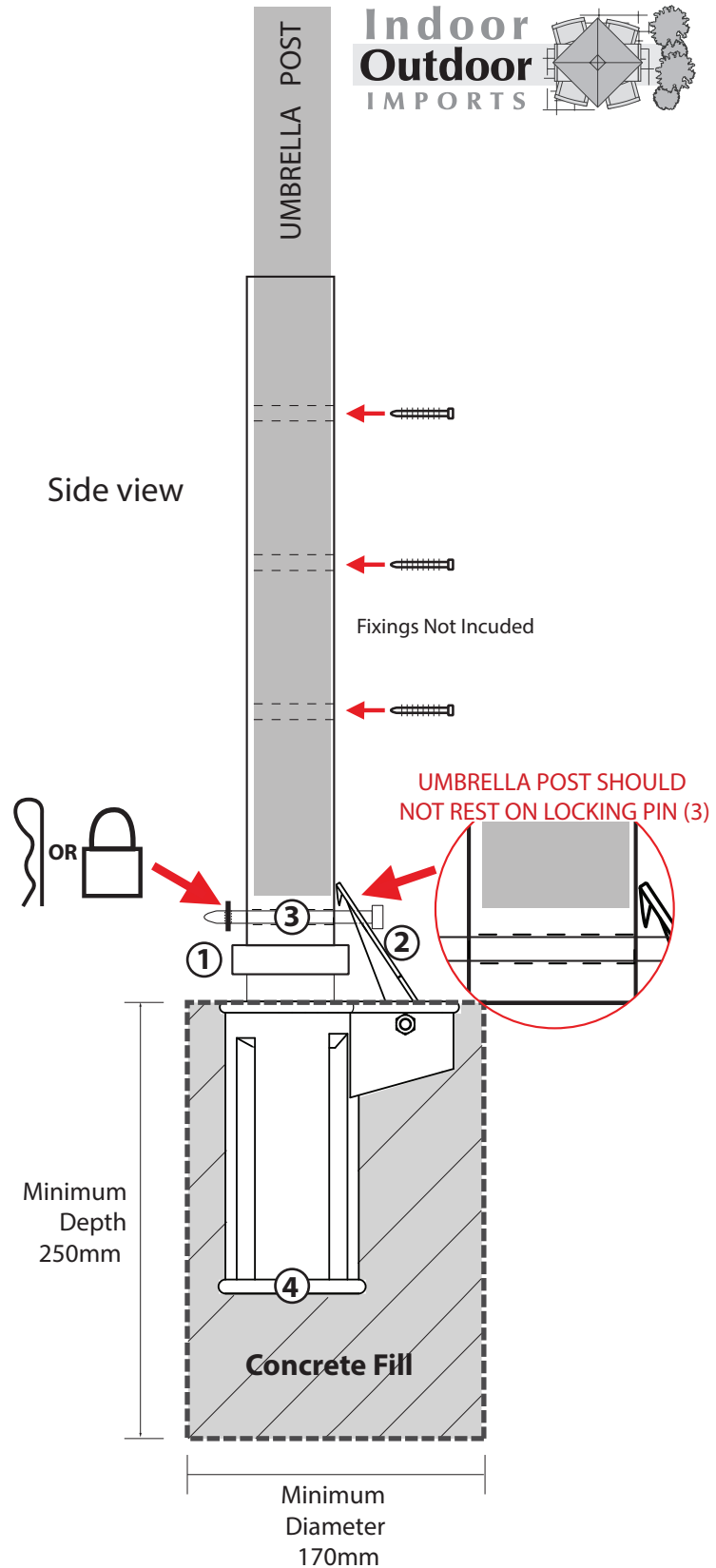
**WARNING:** A larger hole may be required subject to ground conditions  
EG. Sandy soil

**WARNING:** Ensure socket is clear of rubbish  
Security collar (1) must always sit below socket lid (2)

**WARNING:** Ensure concrete does not enter socket  
You may wish to tape off socket drain hole (4)

# INSTRUCTIONS

## In Ground Socket and Sleeve (IGBX06)



**WARNING:** A larger hole may be required subject to ground conditions  
EG. Sandy soil

**WARNING:** Ensure socket is clear of rubbish  
Security collar (1) must always sit below socket lid (2)

**WARNING:** Ensure concrete does not enter socket  
You may wish to tape off socket drain hole (4)