

 **XCMG** SALES  
& SERVICE

# GR2605

## GRADER



[www.xcmgmachinery.com.au](http://www.xcmgmachinery.com.au)

## INDUSTRY EXPERTISE

XCMG Sales & Service is one of Australia's **fastest growing** construction and mining equipment suppliers.

Offering premium quality excavators, wheel loaders, compaction rollers, graders and mini excavators, XCMG Sales & Service has **the products and the support** to keep you working on any job site.

## MACHINERY SALES

XCMG Sales & Service know construction and mining equipment. You can count on our **dedicated and knowledgeable team** of product experts to take the time to understand and satisfy your machinery needs by recommending the **right solution for the job**.

## RENTALS & HIRE

If you need a high-performance machine with reliability you can **trust**, and the flexibility of hiring, we have you covered.

Our fleet is diverse, with machines to suit almost any job. Furthermore, because our rental fleet is maintained by factory-trained technicians, you can be confident that you'll not only be getting the best machines on the market, but that it's going to **work as hard as you do**, day-in day-out.

## AFTERMARKET SUPPORT

We're here to help keep you and your machine working. With an **exceptional over-the-counter fill rate** on spare parts, you're assured that when you buy a machine from XCMG Sales & Service, you'll be looked after throughout your machine's entire lifetime, from start to finish.

Every service job is as important to us as it is to you, and with a dedicated team of machinery technicians, we have ample resources to look after any of your machine repairs or servicing requirements **quickly and efficiently**.

## ABOUT

**The World's 3rd largest manufacturer of construction and mining equipment.**

*Founded in 1943, 8 decades of experience.*

*Manufacturing in USA, Germany, China, Brazil and India.*

*Extensive supply chain and dealer network throughout Australia.*

*Deep relationships with corporate giants: Rio Tinto, BHP and MMG in Australia.*

## MINI / LARGE EXCAVATORS

1 to 49 Tonne

## WHEEL LOADERS

5 to 100 Tonne

## COMPACTION ROLLERS

1.5 to 30 Tonne Smooth & Padfoot

## GRADERS

7.5 to 70 Tonne

**National Hotline:  
1300 837 391**



## NEWCASTLE (NORTHERN NSW)

Situated in Hexham on the Pacific Highway. Serves the Northern NSW region from the Hawkesbury River to the QLD border. Company headquarters: complete sales, service (in-house / field), hire, parts and corporate shared services.

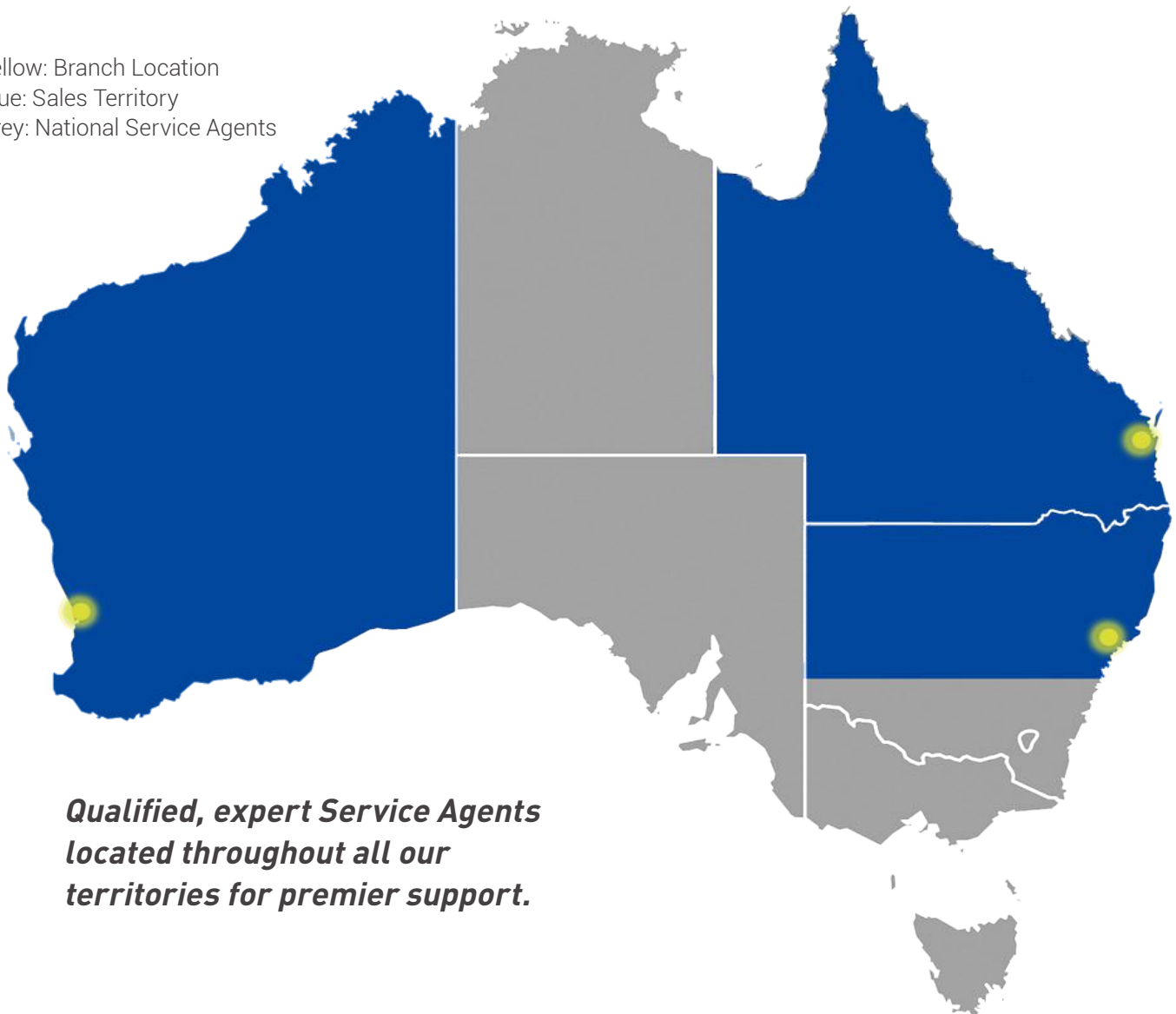
## PERTH (WESTERN AUSTRALIA)

Located in Welshpool just 15 minutes from the CBD, serves the entire state of Western Australia. Sales, rentals, parts and service, including field service capabilities to various mine sites throughout WA.

## BRISBANE (QUEENSLAND)

Situated 30 minutes from the CBD, conveniently located to serve all areas of Queensland. Sales, rentals, parts and service (in-house and field).

Yellow: Branch Location  
Blue: Sales Territory  
Grey: National Service Agents



***Qualified, expert Service Agents  
located throughout all our  
territories for premier support.***

## EXCEPTIONAL PERFORMANCE

### CUMMINS ENGINE

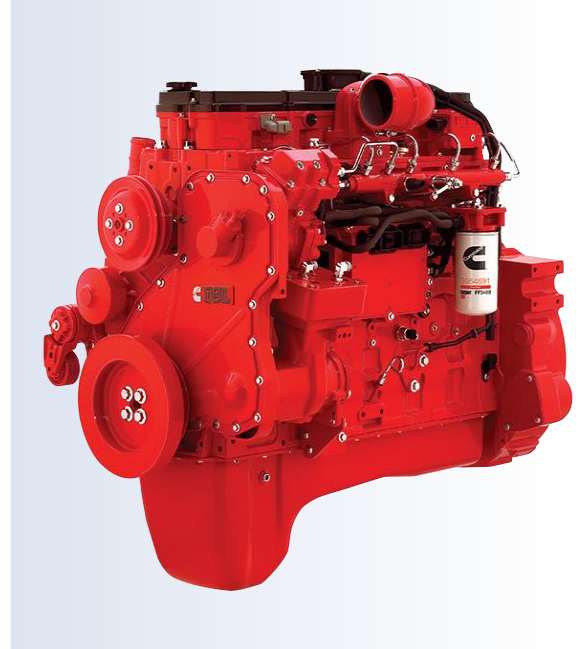
Renowned Cummins QSL8.9 260 HP / 194 kW 2200 RPM engine with 418L fuel tank, low fuel consumption and low noise emission.

### SMART HORSEPOWER

The GR2605 with variable horsepower delivers you the right amount of power for the job. Depending on the gear, horsepower and torque are optimised to allow you to maximise performance, ranging from 220HP in 1st up to a class leading 260HP in 6th.

### SMART HYDRAULIC FAN

The hydraulic driven fan automatically adjusts speed according to the cooling requirements of the engine, meaning you will reserve more power for work and better fuel economy. The fan also has a reversing function as standard which will cut down on your engine maintenance routine.



*Designed to perform...*

# GR2605 ROAD GRADER

## INTUITIVE FUNCTIONALITY

### INTELLIGENT CONTROL SYSTEMS

Integrated CAN key panel, fault diagnostics, independent cooling system, load sensing hydraulics and optional auto-levelling.

### RETURN TO CENTRE ARTICULATION

Automatically returns the machine back to 0 degrees from any angle with an easy to press button on the joystick.

### ELECTRONIC PARKING SYSTEM

The EPS has better integrated control with the entire machine, ensuring the parking performance is more effective and reliable.

### JOYSTICK CONTROL

The ergonomically-designed multifunction joysticks reduce operator fatigue and control major functions on the blade, rear rippers and front blade (optional).

### BLADE FLOAT

Blade float can be applied to the blade by floating both the left and right blade cylinders simultaneously. Alternatively, operators can fix one side of the blade, which locks in the toe of the blade and leaves the operator to control the slope with the alternate blade cylinder.

*...built to last.*



# PREMIUM WORKING ENVIRONMENT

## CLASS LEADING CAB DESIGN

Stay comfortable with a 3D all-round air conditioning system, air suspension seat, ergonomic control layout and state-of-the-art design; includes a fan, footrest, sunshade, charging port and phone holder.

## REVERSING CAMERA STANDARD

The top 10" display automatically switches to the reversing camera when reverse gear is selected as standard.

## EXPANSIVE STORAGE SPACE

Plenty of space for even the biggest lunch boxes has been thought of with generous storage either side of the operators seat, as well as cup holders.

## DUAL LCD HIGH-VIS MONITORS

Dual 10" display monitors with touchscreen access allow exceptional visual access to vital machine information, and exterior views. Both screens are directly in front of the operator for easy viewing.

## EXCEPTIONAL VISION PACKAGE

All round visibility is ensured with a wide view front windscreen and angle door to easily see the working area, coupled with a wide angle rear view mirror and dual rear-view external mirror on both sides of the machine. As standard the GR2605 is also fitted with 2 external cameras focused down onto the work area, to ensure you can monitor the machine working with minimal operator movement



# GR2605 ROAD GRADER

## SAFETY-FOCUSED DESIGN

### CONVENIENT SAFETY LIGHTING

Located at the entry to the cab at ground level are 2 external light switches activating a cab light and the engine bay light to ensure you can safely move around the machine without climbing into the cab.

### HYDRAULIC LOCKING FUNCTION

The hydraulic lock out system ensures all hydraulic functions are locked when the engine is running, providing protection against unintentional movement of the joysticks.

### DUAL CIRCUIT ISOLATORS

Dual circuit isolators provide more flexibility for operators and/or repair personnel when performing service and maintenance operations - improving the overall safety of the machine.

### GROUND LEVEL ACCESS

Daily checks are efficient thanks to easily accessible service and maintenance components, including re-fuelling, fluid checks and air filters.

### SECONDARY STEERING SYSTEM

In the event of a main system failure a separate electric hydraulic pump is engaged so the operator can safely control the machine to a stop.

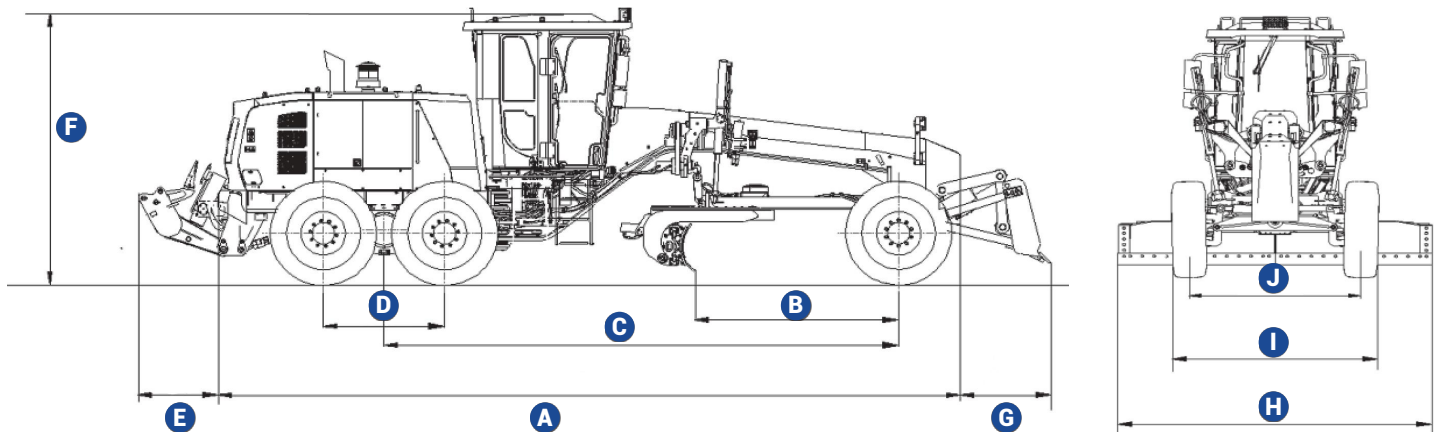
### DUAL EMERGENCY STOPS

E-stops are located inside the cab as well as outside to the rear of the machine to ensure easy access to shut down the machine in case of an emergency.

### TURBO BLANKET

Often an optional extra with alternate graders makes and models, but comes standard with the GR2605.





Spec	A	B	C	D	E	F	G	H	I	J
mm	9448	2580	6545	1622	797	3472	952	3660/4270	2625	2156

Item	Content	Unit	GR2605
Basic Parameters	Engine Model	-	Cummins QSL8.9
	Rated Power / Speed	hp / rpm	260 / 2200
	Overall Dimensions (Standard)	mm	9448 L x 2625 w x 3472 h
	Total Weight (Standard)	kg	19,000
	Tyre Specification	-	17.5R25
Variable Power by Gear	1st	hp	220
	2nd	hp	220
	3rd	hp	240
	4th	hp	240
	5th	hp	240
	6th	hp	260
	Ground Clearance (Rear Axle)	mm	592
	Ground Clearance (Front Axle)	mm	310
	Tread	mm	2,156
	Distance Between Axles	mm	6,545
Tread Between Middle & Rear Wheel	mm	1,622	
Fluid Capacity	Coolant	L	50
	Fuel Tank	L	418
	Engine	L	24
	Transmission	L	38
	Tandem	L	85 / side
	Drive Axle	L	44
	Hydraulic Oil	L	193

Note: specifications listed above are correct at October 2021 and are subject to change any time. For additional information visit [www.xcmgmachinery.com.au](http://www.xcmgmachinery.com.au).



# GR2605 SPECIFICATIONS

Item	Content	Unit	GR2605
Transmission	Model		Dana TM14 (6F, 3R)
	Forward Speed		
	1st	km/h	4.9
	2nd	km/h	8.0
	3rd	km/h	11.0
	4th	km/h	17.9
	5th	km/h	24.7
	6th	km/h	40.2
	Reverse Speed		
	1st	km/h	4.9
	2nd	km/h	11.0
	3rd	km/h	24.7
	Transmission Pressure	MPa	1.85 - 2.2
	Traction Force f=0.75	kN	99
	Maximum Gradeability	%	25
Working Parameters	Max Steering Angle - Front Wheel	Degrees	-49
	Max Tilt Angle - Front Wheel	Degrees	-18
	Max Swing Angle - Front Axle	Degrees	-16
	Max Swing Angle - Tandem	Degrees	Front 15 - Rear 15
	Max Steering Angle - Frame	Degrees	-25
	Minimum Turning Radius	m	7.6
	Tyre Inflation Pressure	kPa	425
	Working System Pressure	MPa	24.5
Blade	Width (12 foot blade)	mm	3,660
	Width (14 foot blade)	mm	4,270
	Height	mm	610
	Thickness	mm	22
	Cutting edge width	mm	210
	Cutting edge thickness	mm	18
	End edge width	mm	150
	End edge thickness	mm	20
	Maximum Lifting Height	mm	452
	Maximum Shoveling Depth	mm	755
	Maximum Tilt Angle	Degrees	90
	Cutting Angle	Degrees	Front 40 - Rear 5
	Slewing Angle	Degrees	360
Rippers	Maximum ripping depth	mm	410
	Weight	kg	1630
	Ripper shanks	-	5
	Penetration force	kg	10,478
	Pryout force	kg	13,549

Note: specifications listed above are correct at October 2021 and are subject to change any time. For additional information visit [www.xcmgmachinery.com.au](http://www.xcmgmachinery.com.au).