

Single point load cells of models F4801, F4802,  
F4818, F4881, F4882, F4883, F4884, F4885

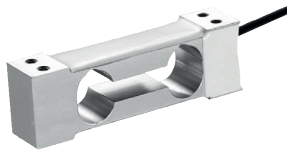
EN

Plattformwägezellen der Typen F4801, F4802,  
F4818, F4881, F4882, F4883, F4884, F4885

DE



Model F4801



Model F4802



Model F4818



Model F4881



Model F4882



Model F4883



Model F4884



Model F4885

**EN****Operating instructions, models F4801, F4802, Page 3 - 36  
F4818, F4881, F4882, F4883, F4884, F4885****DE****Betriebsanleitung, Typen F4801, F4802, Seite 37 - 69  
F4818, F4881, F4882, F4883, F4884, F4885**

© 05/2023 WIKA Alexander Wiegand SE & Co. KG  
All rights reserved. / Alle Rechte vorbehalten.  
WIKA® is a registered trademark in various countries.  
WIKA® ist eine geschützte Marke in verschiedenen Ländern.

Prior to starting any work, read the operating instructions!  
Keep for later use!

Vor Beginn aller Arbeiten Betriebsanleitung lesen!  
Zum späteren Gebrauch aufbewahren!

# Contents

<b>1. General information</b>	<b>4</b>
<b>2. Design and function</b>	<b>5</b>
2.1 Overview . . . . .	5
2.2 Description . . . . .	5
2.3 Scope of delivery . . . . .	5
<b>3. Safety</b>	<b>6</b>
3.1 Explanation of symbols . . . . .	6
3.2 Intended Use . . . . .	6
3.3 Improper use . . . . .	7
3.4 Responsibility of the operator . . . . .	7
3.5 Personnel qualification . . . . .	8
3.6 Personal protective equipment . . . . .	8
3.7 Labelling, safety marks . . . . .	9
<b>4. Transport, packaging and storage</b>	<b>10</b>
4.1 Transport. . . . .	10
4.2 Packaging and storage . . . . .	10
<b>5. Commissioning, operation</b>	<b>11</b>
5.1 Mounting preparation . . . . .	11
5.2 Mounting instructions . . . . .	11
5.3 Mounting the single point load cell . . . . .	12
5.4 Electrical connection. . . . .	13
<b>6. Faults</b>	<b>13</b>
<b>7. Maintenance and cleaning</b>	<b>14</b>
7.1 Maintenance . . . . .	14
7.2 Cleaning . . . . .	14
<b>8. Dismounting, return and disposal</b>	<b>15</b>
8.1 Dismounting . . . . .	15
8.2 Return. . . . .	15
8.3 Disposal . . . . .	15
<b>9. Specifications</b>	<b>16</b>
9.1 Approvals . . . . .	31
<b>10. Accessories</b>	<b>32</b>
10.1 Cable amplifier, model B1940. . . . .	32
10.2 Multi-function display analogue signals, model E1931 . . . . .	32
10.3 Strain gauge weighing electronics, model E1932. . . . .	32
10.4 Junction box, model B6578 . . . . .	33
<b>Annex: EU declaration of conformity</b>	<b>34</b>
<b>Annex: UK declaration of conformity</b>	<b>35</b>

EN

## 1. General information

EN

- The single point load cells described in the operating instructions have been designed and manufactured using state-of-the-art technology. All components are subject to stringent quality and environmental criteria during production. Our management systems are certified to ISO 9001.
- These operating instructions contain important information on handling the instrument. Working safely requires that all safety instructions and work instructions are observed.
- Observe the relevant local accident prevention regulations and general safety regulations for the instrument's range of use.
- The operating instructions are part of the product and must be kept in the immediate vicinity of the instrument and readily accessible to skilled personnel at any time. Pass the operating instructions on to the next operator or owner of the instrument.
- Skilled personnel must have carefully read and understood the operating instructions prior to beginning any work.
- In case of a different interpretation of the translated and the English operation instruction, the English wording shall prevail.
- In this document, the generic masculine is used for better readability. Female and other gender identities are expressly included.
- The general terms and conditions contained in the sales documentation shall apply.
- Subject to technical modifications.

Further information:

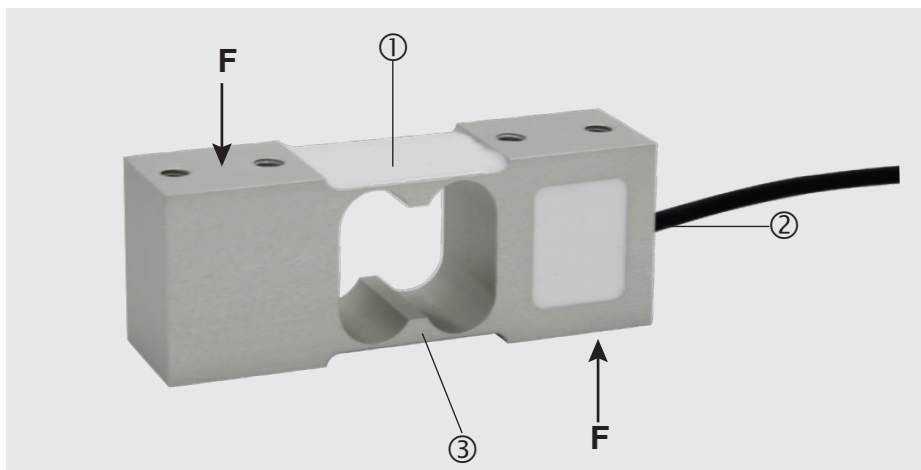
- Internet address: [www.wika.com](http://www.wika.com)
- Relevant data sheets: FO 53.10 (model F4801) FO 53.16 (model F4881)  
FO 53.13 (model F4802) FO 53.17 (model F4882)  
FO 53.14 (model F4818) FO 53.18 (model F4883)  
FO 53.19 (model F4884)  
FO 53.20 (model F4885)
- Application consultant: Phone: +49 9372 132-0  
[info@wika.com](mailto:info@wika.com)

### Abbreviations, definitions

4-wire	Two connection lines for the voltage supply Two connection leads for the measuring signal
UB+	Positive power supply terminal
UB-	Negative power supply terminal
S+	Positive signal output
S-	Negative signal output
Shield	Case

## 2. Design and function

### 2.1 Overview



EN

- ① Strain gauges
- ② Electrical connection
- ③ Measuring spring

### 2.2 Description

The single point load cell is intended for the measurement of dynamic and static compression forces in floor and bench scales, multihead combination weighers and check weighers. The single point load cell consists of a measuring spring on which strain gauges are applied. The measuring body is made of aluminium and is elastically deformed by a force introduced in the force direction. The resulting mechanical tensions are measured by the strain gauges and output as an electrical output signal. The strain gauges are arranged so that two of them are tensioned and the other two are compressed when a force is applied to the single point load cell. The single point load cell circuit includes correction and compensation resistors to eliminate unwanted effects on the zero signal and characteristic value.

### 2.3 Scope of delivery

- Single point load cell
- Operating instructions

## 3. Safety

### 3.1 Explanation of symbols

EN



#### WARNING!

... indicates a potentially dangerous situation that can result in serious injury or death, if not avoided.



#### CAUTION!

... indicates a potentially dangerous situation that can result in light injuries or damage to property or the environment, if not avoided.



#### Information

... points out useful tips, recommendations and information for efficient and trouble-free operation.

### 3.2 Intended Use

The single point load cells are designed for weighing very fast and accurate.

Model	Rated load	Design
F4801	0 ... 3 kg to 0 ... 250 kg [0 ... 7 lbs to 0 ... 551 lbs]	
F4802	0 ... 0.3 kg to 0 ... 10 kg [0 ... 0.7 lbs to 0 ... 22 lbs]	
F4818	0 ... 20 kg to 0 ... 500 kg [0 ... 44 lbs to 0 ... 1,102 lbs]	
F4881	0 ... 2 kg to 0 ... 30 kg [0 ... 4.4 lbs to 0 ... 66.14 lbs]	
F4882	0 ... 3 kg to 0 ... 40 kg [0 ... 6.61 lbs to 0 ... 88.18 lbs]	
F4883	0 ... 8 kg to 0 ... 300 kg [0 ... 17.64 lbs to 0 ... 661 lbs]	
F4884	0 ... 50 kg and 0 ... 635 kg [0 ... 110 lbs and 0 ... 1,400 lbs]	
F4885	0 ... 1 kg to 0 ... 200 kg [0 ... 2.2 lbs to 0 ... 441 lbs]	

Load cells for weighing are designed for use inside buildings.

The load cells are used to measure forces in one direction. The measured force is output as an electrical signal. These devices are designed for operation in industrial environment. In other environments, e.g. residential or commercial, they may interfere with other equipment. In this case the operator may be required to implement appropriate measures.

Only use the load cells in applications that are within the technical performance limits (e.g. max. ambient temperature, material compatibility, etc.). For performance limits see chapter 9 "Specifications".

The load cells are designed exclusively for the intended use which is described here and may only be used accordingly.

Claims of any kind due to improper use are excluded.

### 3.3 Improper use



#### **WARNING!**

#### **Injuries through improper use**

Improper use of the instrument can lead to hazardous situations and injuries.

- ▶ Refrain from unauthorised modifications to the instrument.

Any use beyond or different to the intended use is considered as improper use.

### 3.4 Responsibility of the operator

The instrument is used in the industrial sector. The operator is therefore responsible for legal obligations regarding safety at work.

The safety instructions within these operating instructions, as well as the safety, accident prevention and environmental protection regulations for the application area must be maintained.

The operator is obliged to maintain the product label in a legible condition.

To ensure safe working on the instrument, the operating company must ensure:

- that suitable first-aid equipment is available and aid is provided whenever required.
- that the skilled electrical personnel are regularly instructed in all topics regarding work safety, first aid and environmental protection and know the operating instructions and in particular, the safety instructions contained therein.
- that the instrument is suitable for the particular application in accordance with its intended use.
- that personal protective equipment is available.

### 3.5 Personnel qualification



#### **WARNING!**

#### **Risk of injury should qualification be insufficient**

Improper handling can result in considerable injury and damage to property.

- ▶ The activities described in these operating instructions may only be carried out by skilled personnel who have the qualifications described below.

### **Skilled electrical personnel**

Skilled electrical personnel are understood to be personnel who, based on their technical training, know-how and experience as well as their knowledge of country-specific regulations, current standards and directives, are capable of carrying out work on electrical systems and independently recognising and avoiding potential hazards. The skilled electrical personnel have been specifically trained for the work environment they are working in and know the relevant standards and regulations. The skilled electrical personnel must comply with current legal accident prevention regulations.

### **3.6 Personal protective equipment**

The requirements for the required protective equipment result from the ambient conditions at the place of use, other products or the connection to other products.

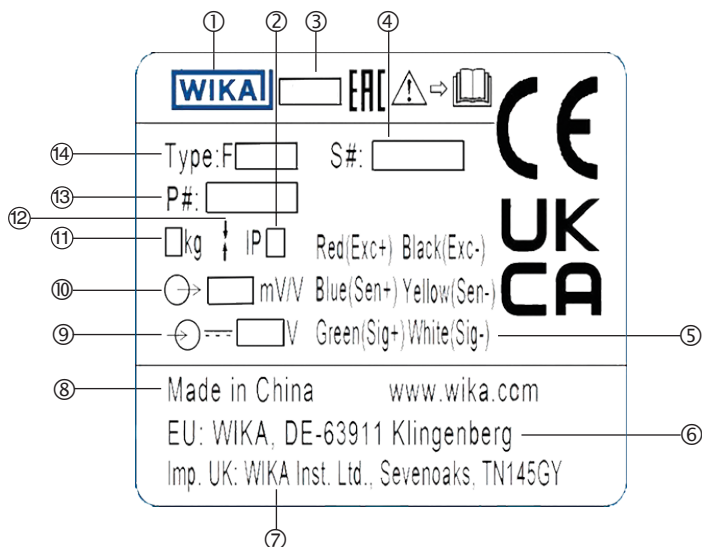
The requisite personal protective equipment must be provided by the operating company. The operator is in no way relieved of his obligations under labour law for the safety and the protection of workers' health.

The design of the personal protective equipment must take into account all operating parameters of the place of use.



## 3.7 Labelling, safety marks

### Product label



- |                                       |                        |
|---------------------------------------|------------------------|
| ① Manufacturer logo                   | ⑧ Manufacturer country |
| ② Ingress protection per IEC/EN 60529 | ⑨ Supply voltage       |
| ③ Year of manufacture                 | ⑩ Output signal        |
| ④ Serial number                       | ⑪ Rated load           |
| ⑤ Pin assignment                      | ⑫ Force direction      |
| ⑥ Distributor in EU                   | ⑬ Product number       |
| ⑦ Importer in UK                      | ⑭ Model                |



Before mounting and commissioning the instrument, ensure you read the operating instructions!

### 4. Transport, packaging and storage

#### 4.1 Transport

EN

Check the single point load cell for any damage that may have been caused by transport. Obvious damage must be reported immediately.



#### **CAUTION!**

#### **Damage through improper transport**

With improper transport, a high level of damage to property can occur.

- ▶ When unloading packed goods upon delivery as well as during internal transport, proceed carefully and observe the symbols on the packaging.
- ▶ With internal transport, observe the instructions in chapter 4.2 “Packaging and storage”.

As precision measuring instruments, single point load cells require careful handling during transport and mounting. Load impacts during transport (e.g. hitting a hard surface) can lead to permanent damage, resulting in measuring errors in the subsequent measuring operation.

#### 4.2 Packaging and storage

Do not remove packaging until just before mounting.

Keep the packaging as it will provide optimum protection during transport (e.g. change in installation site, sending for repair).

The measuring spring is manufactured completely from aluminium and corresponds to IP66 or IP67 ingress protection.

#### **Permissible conditions at the place of storage:**

- Storage temperature: -20 ... +65 °C [-4 ... +149°F]
- Humidity: 35 ... 85 % relative humidity (non-condensing)

#### **Avoid exposure to the following factors:**

- Mechanical vibration, mechanical shock (putting it down hard)
- Dust, dirt, and other objects may not be deposited in such a way that they form a force shunt with the measuring spring, since this will falsify the measuring signal.

### 5. Commissioning, operation

#### 5.1 Mounting preparation

- Single point load cells are sensitive measuring instruments and must be handled with appropriate care.
- When commissioning the single point load cell, ensure that the mounting surface is level, clean and free of grease.

#### 5.2 Mounting instructions



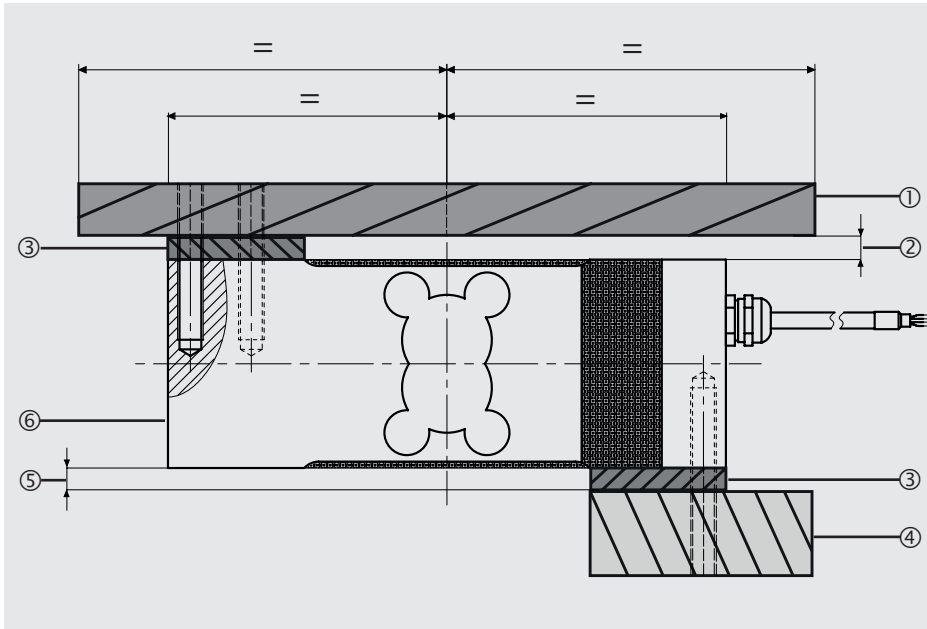
##### **CAUTION!**

##### **Damage to the instrument through improper commissioning**

- The force introduction is carried out via a platform mounted on the single point load cell. The load can be positioned anywhere on this platform. Pay attention to the platform size, see chapter 9 "Specifications".
- Avoid too high torsional and transverse forces. Torsional torques and transverse loads or lateral forces cause measuring errors and may permanently damage the single point load cell.
- During installation of the single point load cell, the output signal (force value) must always be monitored to avoid mechanical overload.
- The single point load cell may only be loaded in the intended load direction, see chapter 3.7 "Labelling, safety marks". Incorrect loads in the wrong load direction can permanently damage the single point load cell.
- An overload must be excluded at all times.
- When assembling, ensure that the single point load cell has sufficient spring displacement, see chapter 5.3 "Mounting the single point load cell". If necessary, use a spacer part.
- The max. torque for fastening the single point load cell must be observed, see chapter 9 "Specifications".
- If necessary, a limit stop must be used as overload protection when installing the load cell.

## 5.3 Mounting the single point load cell

EN



- ① Platform/mounting surface
- ② Spring displacement
- ③ Spacer part
- ④ Mounting surface
- ⑤ Spring displacement
- ⑥ Single point load cell

- Screw the underside of the single point load cell ⑥ to the mounting surface ④ and ① and make sure that the opposite side of the single point load cell does not rest on the mounting surface (no force shunt). Depending on the load cell, it can also be mounted on a laterally arranged surface.
- If necessary, use a spacer part ③. The thickness of the spacer part corresponds to the spring displacement ② and ⑤.
- Align the platform ① so that the centre of the platform corresponds with the centre of the single point load cell ⑥.
- Screw the upper side of the single point load cell ⑥ to the platform and make sure that the opposite side of the single point load cell has no contact with the platform (no force shunt).
- If necessary, use a spacer part ③.

## 5.4 Electrical connection

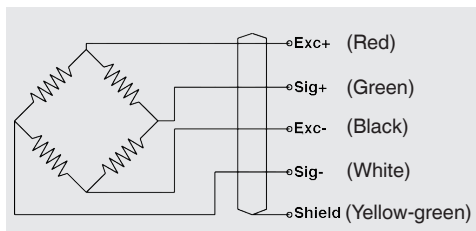
To prevent interferences from coupling into the system, observe the following information:

- A shielded, low-capacitance measuring cable is attached to the single point load cell.
- Ground the shield of the measuring cable.
- Avoid stray fields of transformers, motors and contactors.
- When using extensions, only shielded and low-capacitance cables should be used. The permitted maximum and minimum lengths of cable are defined in ISO 11898-2. Care should be taken also to ensure a high-quality connection of the shielding.
- Do not install measuring cables in parallel to 3-phase-current cables and control cables.
- Single point load cell, amplifiers and processing or display units must not be grounded several times.

The pin assignment of the cable can be found on the product label.

### 5.4.1 Cable pin assignment

Electrical connection		
Supply voltage+	Exc+	Red
Supply voltage-	Exc-	Green
Signal+	Sig+	Black
Signal-	Sig-	White
Shield ⚡	Shield	Yellow-green



## 6. Faults



### CAUTION!

#### Physical injuries, damage to property

If faults cannot be eliminated by means of the listed measures, the single point load cell must be taken out of operation immediately.

- ▶ Contact the manufacturer.
- ▶ If a return is needed, please follow the instructions given in chapter 8.2 "Return".



For contact details see chapter 1 "General information" or the back page of the operating instructions.

## 6. Faults / 7. Maintenance and cleaning

EN

Faults	Causes	Measures
<b>No output signal</b>	No or wrong supply voltage, current pulse	Rectify the supply voltage
	Cable break	Check the continuity
<b>No or wrong output signal</b>	Wrong cable assignment	Check cable assignment
<b>Deviating zero point signal</b>	Overload, load offset, wrong connection	Consult the manufacturer
<b>Deviating output signal</b>	Cable too long	Consult the manufacturer
<b>Constant output signal when changing force</b>	Wrong cable assignment	Check cable assignment
	Mechanical overload	Consult the manufacturer
<b>Signal span drops/too small</b>	Mechanical overload	Consult the manufacturer

Defective instruments must be returned to the manufacturer.

## 7. Maintenance and cleaning



For contact details see chapter 1 “General information” or the back page of the operating instructions.

### 7.1 Maintenance

This instrument is maintenance-free.

Repairs must only be carried out by the manufacturer.

Only use original parts (see chapter 10 “Accessories”).

### 7.2 Cleaning

1. Prior to cleaning, disconnect the single point load cell from the voltage supply and dismount it.
2. Clean the single point load cell with a cloth.  
Electrical connections must not come into contact with moisture!



#### **CAUTION!**

#### **Damage to the instrument**

Improper cleaning may lead to damage to the instrument!

- ▶ Do not use any aggressive cleaning agents.
- ▶ Do not use any hard or pointed objects for cleaning.

### 8. Dismounting, return and disposal

#### 8.1 Dismounting

Remove load from the single point load cell, disconnect it from the power and remove from the mounting situation.

#### 8.2 Return

##### **Strictly observe the following when shipping the instrument:**

All instruments delivered to WIKA must be free from any kind of hazardous substances (acids, bases, solutions, etc.) and must therefore be cleaned before being returned.

When returning the instrument, use the original packaging or a suitable transport packaging.

##### **To avoid damage:**

1. Wrap the instrument in an antistatic plastic film.
2. Place the instrument, along with the shock-absorbent material, in the packaging.  
Place shock-absorbent material evenly on all sides of the transport packaging.
3. If possible, place a bag containing a desiccant inside the packaging.
4. Label the shipment as carriage of a highly sensitive measuring instrument.



Information on returns can be found under the heading “Service” on our local website.

#### 8.3 Disposal

Incorrect disposal can put the environment at risk.

Dispose of instrument components and packaging materials in an environmentally compatible way and in accordance with the country-specific waste disposal regulations.



Do not dispose of with household waste. Ensure a proper disposal in accordance with national regulations.

## 9. Specifications

### 9. Specifications

#### Model F4801

Nominal load $F_{nom}$ kg	3; 4; 5; 6; 8; 10; 15; 20; 25; 30; 40; 45; 50; 60; 100; 150; 200; 250
Nominal load $F_{nom}$ lbs	7; 9; 11; 13; 18; 22; 33; 44; 55; 66; 88; 99; 110; 132; 221; 331; 441; 551
Relative linearity error $d_{lin}$ <sup>1)</sup>	$\pm 0.02\% F_{nom}$
Relative creep. 30 min.	$\pm 0.02\% F_{nom}$
Relative reversibility $v$	$\pm 0.02\% F_{nom}$
Relative deviation of zero signal $d_{S,0}$	$\pm 2\% F_{nom}$
Temperature effect on zero signal $TK_0$	$\leq \pm 0.02\%/10\text{ K}$
Temperature effect on characteristic value $TK_C$	$\leq \pm 0.02\%/10\text{ K}$
Force limit $F_L$	$150\% F_{nom}$
Breaking force $F_B$	$200\% F_{nom}$
Material of the measuring body	Aluminum
Rated temperature range $B_{T, nom}$	$-10 \dots +40\text{ °C}$ [ $+14 \dots +104\text{ °F}$ ]
Operating temperature range $B_{T, G}$	$-20 \dots +60\text{ °C}$ [ $-4 \dots +140\text{ °F}$ ]
Input resistance $R_e$	$410 \pm 10\ \Omega$
Output resistance $R_a$	$350 \pm 5\ \Omega$
Insulation resistance $R_{is}$	$\geq 2,000\text{ M}\Omega/\text{DC } 100\text{ V}$
Output signal (rated output) $C_{nom}$	$2.0 \pm 0.2\text{ mV/V}$
Electrical connection	Measuring cable $\varnothing 4 \times 450\text{ mm}$ [ $\varnothing 0.16 \times 17.72\text{ in}$ ]
Supply voltage $U_{B, nom}$	DC 10 V (max. 15 V)
Ingress protection (per IEC/EN 60529)	IP65
Platform size	$250 \times 300\text{ mm}$ [ $9.84 \times 11.81\text{ in}$ ]
Weight	
Nominal load: 3 to 50 kg [7 to 110 lbs]	0.3 kg [0.7 lbs]
60 to 250 kg [132 to 551 lbs]	0.4 kg [0.9 lbs]

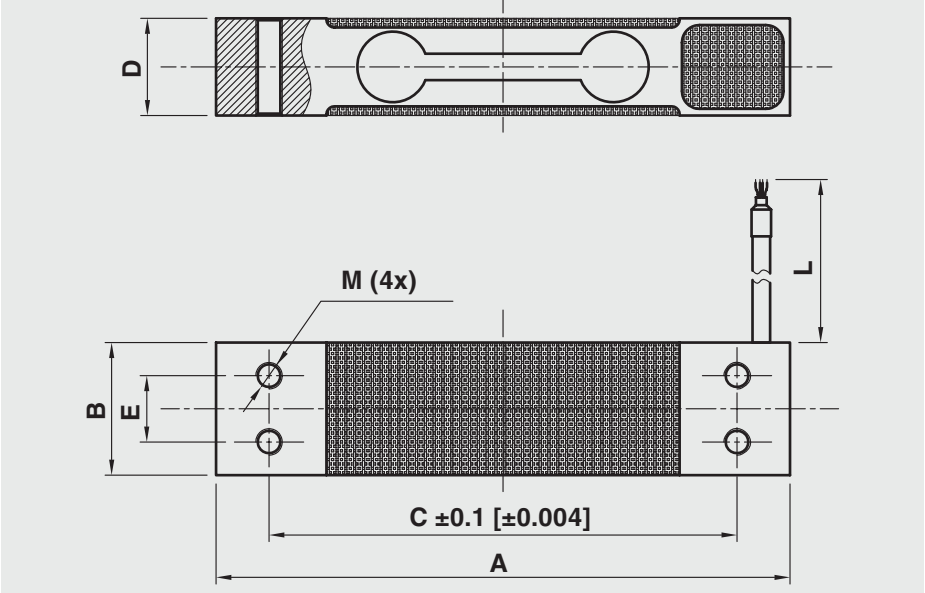
1) Relative linearity error is specified in accordance with guideline VDI/VDE/DKD 2638 chap. 3.2.6.



# 9. Specifications

## Dimensions in mm [in]

Model F4801



EN

Nominal load in kg	Dimensions in mm						
	A	B	C	D	E	L	M
3 / 4 / 5 / 6 / 8 / 10 / 15 / 20 / 25 / 30 / 40 / 45 / 50	130	30	106	22	15	450	M6
60 / 100 / 150 / 200 / 250	130	50	106	22	25	450	M8

Nominal load in lbs	Dimensions in in						
	A	B	C	D	E	L	M
7 / 9 / 11 / 13 / 18 / 22 / 33 / 44 / 55 / 66 / 88 / 99 / 110	5.12	1.18	4.17	0.87	0.6	17.72	M6
132 / 221 / 331 / 441 / 551	5.12	1.97	4.17	0.87	0.98	17.72	M8

## 9. Specifications

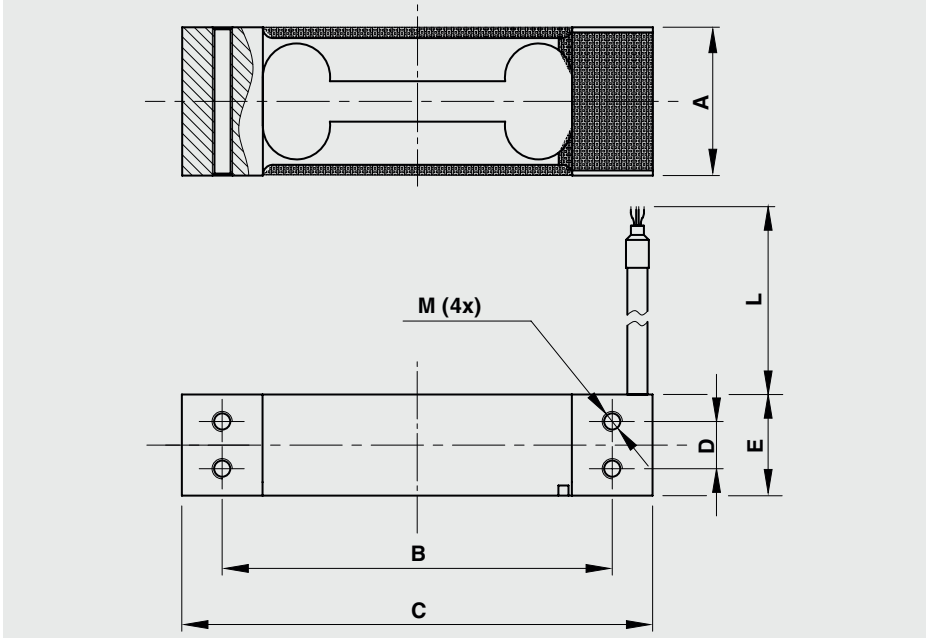
Model F4802									
Nominal load $F_{nom}$ kg	0.3	0.5	1	1.5	2	3	4	5	10
Nominal load $F_{nom}$ lbs	0.7	1.1	2.2	3.3	4.4	7	9	11	22
Relative linearity error $d_{lin}^{1)}$	$\pm 0.02 \% F_{nom}$								
Relative creep, 30 min,	$\pm 0.02 \% F_{nom}$								
Relative reversibility $v$	$\pm 0.02 \% F_{nom}$								
Relative deviation of zero signal $d_{S,0}$	$\pm 2 \% F_{nom}$								
Temperature effect on zero signal $TK_0$	$\leq \pm 0.02 \% / 10 \text{ K}$								
Temperature effect on characteristic value $TK_C$	$\leq \pm 0.02 \% / 10 \text{ K}$								
Force limit $F_L$	150 % $F_{nom}$								
Breaking force $F_B$	200 % $F_{nom}$								
Material of the measuring body	Aluminum								
Rated temperature range $B_{T, nom}$	-10 ... +40 °C [+14 ... +104 °F]								
Operating temperature range $B_{T, G}$	-20 ... +60 °C [-4 ... +140 °F]								
Input resistance $R_e$	410 $\pm$ 10 $\Omega$								
Output resistance $R_a$	350 $\pm$ 5 $\Omega$								
Insulation resistance $R_{is}$	$\geq 2,000 \text{ M}\Omega / \text{DC } 100 \text{ V}$								
Output signal (rated output) $C_{nom}$	2.0 $\pm$ 0.2 mV/V								
Electrical connection	Measuring cable $\varnothing 3 \times 450 \text{ mm}$ [ $\varnothing 0.12 \times 17.72 \text{ in}$ ]								
Supply voltage $U_{B, nom}$	DC 10 V (max. 15 V)								
Ingress protection (per IEC/EN 60529)	IP65								
Platform size	200 x 200 mm [7.87 x 7.87 in ]								
Weight	0.1 kg [0.22 lbs]								

1) Relative linearity error is specified in accordance with guideline VDI/VDE/DKD 2638 chap. 3.2.6.

EN

## Dimensions in mm [in]

Model F4802



Dimensions in mm						
A	B	C	D	E	L	M
20	58	70	7	15	450	M3

Dimensions in inch						
A	B	C	D	E	L	M
0.79	2.28	2.75	0.27	0.6	17.72	M3

## 9. Specifications

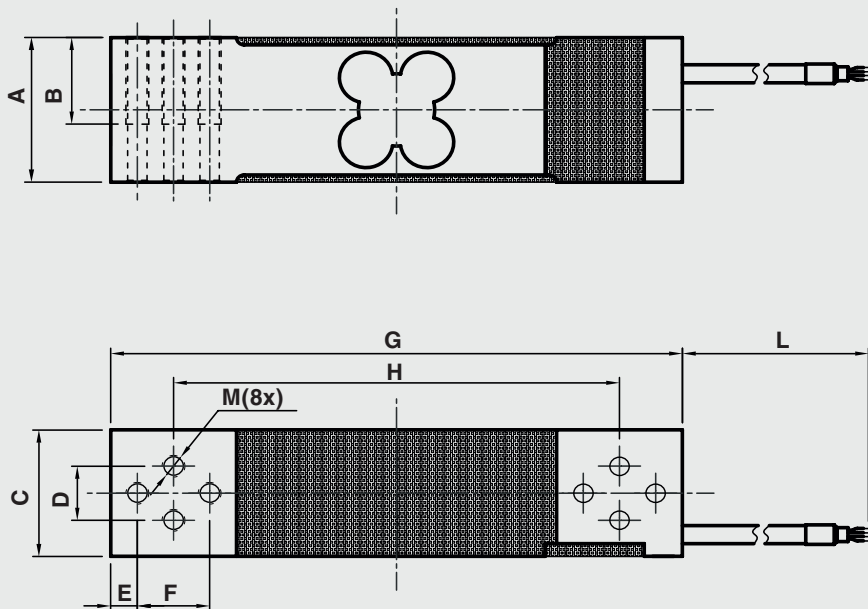
Model F4818	
Nominal load $F_{nom}$ kg	20; 30; 50; 60; 100; 150; 200; 250; 300; 350; 500
Nominal load $F_{nom}$ lbs	44; 66; 110; 132; 221; 331; 441; 551; 661; 772; 1,102
Relative linearity error $d_{lin}$ <sup>1)</sup>	$\pm 0.02 \% F_{nom}$
Relative creep, 30 min,	$\pm 0.02 \% F_{nom}$
Relative reversibility $v$	$\pm 0.02 \% F_{nom}$
Relative deviation of zero signal $d_{S,0}$	$\pm 2 \% F_{nom}$
Temperature effect on zero signal $TK_0$	$\leq \pm 0.025 \% / 10 \text{ K}$
Temperature effect on characteristic value $TK_C$	$\leq \pm 0.025 \% / 10 \text{ K}$
Force limit $F_L$	$120 \% F_{nom}$
Breaking force $F_B$	$200 \% F_{nom}$
Material of the measuring body	Aluminum
Rated temperature range $B_{T, nom}$	$-10 \dots +40 \text{ }^\circ\text{C}$ [ $+14 \dots +104 \text{ }^\circ\text{F}$ ]
Operating temperature range $B_{T, G}$	$-20 \dots +60 \text{ }^\circ\text{C}$ [ $-4 \dots +140 \text{ }^\circ\text{F}$ ]
Input resistance $R_e$	$410 \pm 10 \text{ } \Omega$
Output resistance $R_a$	$350 \pm 5 \text{ } \Omega$
Insulation resistance $R_{iS}$	$\geq 2,000 \text{ M}\Omega / \text{DC } 100 \text{ V}$
Output signal (rated output) $C_{nom}$	$2.0 \pm 0.2 \text{ mV/V}$
Electrical connection	Measuring cable $\varnothing 5 \times 1,500 \text{ mm}$ [ $\varnothing 0.2 \times 59 \text{ in}$ ]
Supply voltage $U_{B, nom}$	DC 10 V (max. 15 V)
Ingress protection (per IEC/EN 60529)	IP65
Platform size	$450 \times 450 \text{ mm}$ [ $17.72 \times 17.72 \text{ in}$ ]
Weight	$0.6 \text{ kg}$ [ $1.3 \text{ lbs}$ ]

1) Relative linearity error is specified in accordance with guideline VDI/VDE/DKD 2638 chap. 3.2.6.

# 9. Specifications

## Dimensions in mm [in]

Model F4818



EN

### Dimensions in mm

A	B	C	D	E	F	G	H	L	M
40	24	35	15	7	19	150	117	1,500	M6

### Dimensions in inch

A	B	C	D	E	F	G	H	L	M
1.57	0.94	1.38	0.6	0.27	0.75	5.9	4.61	59	M6

## 9. Specifications

EN

Model F4881						
Rated load $F_{nom}$ kg	2	3	5	8	15	30
Rated load $F_{nom}$ lbs	4	7	11	18	33	66
Relative linearity error $d_{lin}^{1)}$	$\pm 0.02 \% F_{nom}$					
Relative creep, 30 min.	$\pm 0.02 \% F_{nom}$					
Relative reversibility error $v$	$\pm 0.02 \% F_{nom}$					
Relative deviation of zero signal $d_{S, 0}$	$\pm 5 \% F_{nom}$					
Temperature effect on the zero signal $T_0$	$\leq \pm 0.014 \% / 10 \text{ K}$					
Temperature effect on the characteristic value $TK_C$	$\leq \pm 0.02 \% / 10 \text{ K}$					
Limit force $F_L$	150 % $F_{nom}$					
Breaking force $F_B$	200 % $F_{nom}$					
Material of the measuring body	Aluminum					
Rated temperature range $B_{T, nom}$	-10 ... +40 °C [14 ... 104 °F]					
Service temperature range $B_{T, G}$	-20 ... +65 °C [-4 ... 149 °F]					
Input resistance $R_e$	410 $\pm$ 10 $\Omega$					
Output resistance $R_a$	350 $\pm$ 5 $\Omega$					
Insulation resistance $R_{is}$	$\geq 5,000 \text{ M}\Omega / \text{DC } 100 \text{ V}$					
Output signal (rated characteristic value) $C_{nom}$	2.0 $\pm$ 0.2 mV/V					
<b>Electrical connection</b>						
Variant A: 2 kg; 3 kg; 5 kg; 8 kg [4.4 lbs; 6.6 lbs; 11 lbs; 17.6 lbs]	Measuring cable $\varnothing 3 \times 250 \text{ mm}$ [ $\varnothing 0.13 \times 9.84 \text{ in}$ ]					
Variant B: 5 kg; 8 kg [11 lbs; 17.6 lbs]	Measuring cable $\varnothing 3 \times 360 \text{ mm}$ [ $\varnothing 0.13 \times 14.17 \text{ in}$ ]					
Variant B: 30 kg [66 lbs]	Measuring cable $\varnothing 3 \times 2,000 \text{ mm}$ [ $\varnothing 0.13 \times 78.74 \text{ in}$ ]					
Variant C: 15 kg [33 lbs]	Measuring cable $\varnothing 3 \times 250 \text{ mm}$ [ $\varnothing 0.13 \times 9.84 \text{ in}$ ]					
Variant C: 30 kg [66 lbs]	Measuring cable $\varnothing 3 \times 250 \text{ mm}$ [ $\varnothing 0.13 \times 9.84 \text{ in}$ ]					
Supply voltage $U_{B, nom}$	DC 5 ... 10 V (max. 15 V)					
Ingress protection (per IEC/EN 60529)	IP67					
Platform size	Variant A: 300 x 300 mm [11.81 x 11.81 in]					
	Variant B: 350 x 350 [13.78 x 13.78 in]					
	Variant C: 300 x 300 mm [11.81 x 11.81 in]					
Weight	0.2 kg [0.44 lbs]					

1) Relative linearity error is specified in accordance with guideline VDI/VDE/DKD 2638 chap. 3.2.6.

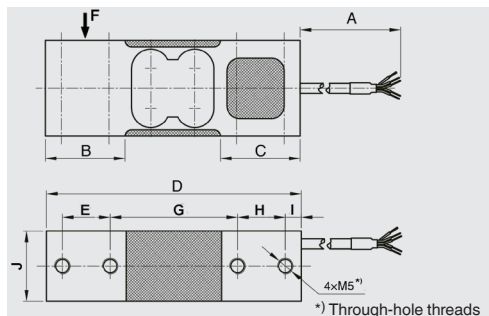
14599906 05/2023 EN/DE

# 9. Specifications

EN

## Dimensions in mm [in]

### Model F4881 of variant A



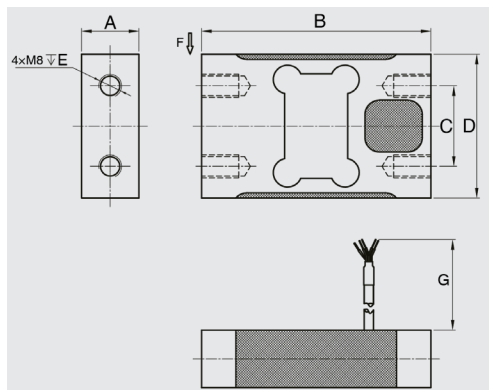
#### Dimensions in mm

A	B	C	D	E	G	H	I	J
250	25	25	80	15	40	15	5	22

#### Dimensions in inch

A	B	C	D	E	G	H	I	J
9.84	0.98	0.98	3.15	0.6	1.58	0.6	0.2	0.87

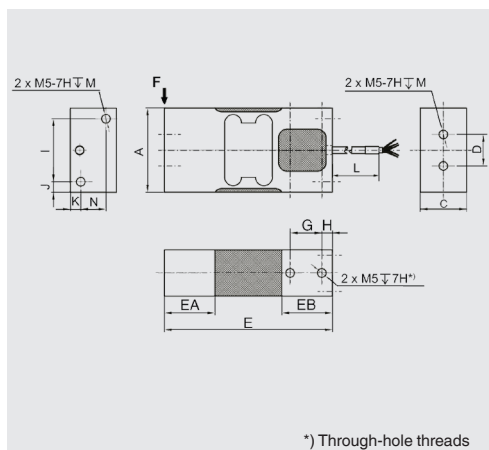
### Model F4881 of variant B



Rated load in kg	Dimensions in mm					
	A	B	C	D	E	G
5	20	80	28	50	13	13
8	20	80	28	50	13	360
30	20	80	28	50	13	2,000

Rated load in lbs	Dimensions in inch					
	A	B	C	D	E	G
11.02	0.79	3.15	1.10	1.97	0.51	0.51
17.64	0.79	3.15	1.10	1.97	0.51	14.17
66	0.79	3.15	1.10	1.97	0.51	78.74

### Model F4881 of variant C



#### Dimensions in mm

A	C	D	E	EA	EB	G
40	22	15	80	24	24	15

#### Dimensions in mm

H	I	J	K	L	M	N
5	30	5	5	250	15	12

#### Dimensions in inch

A	C	D	E	EA	EB	G
1.57	0.87	0.59	3.15	0.95	0.95	0.59

#### Dimensions in inch

H	I	J	K	L	M	N
0.20	1.18	0.20	0.20	9.84	0.59	0.47

14599906 05/2023 EN/DE

## 9. Specifications

EN

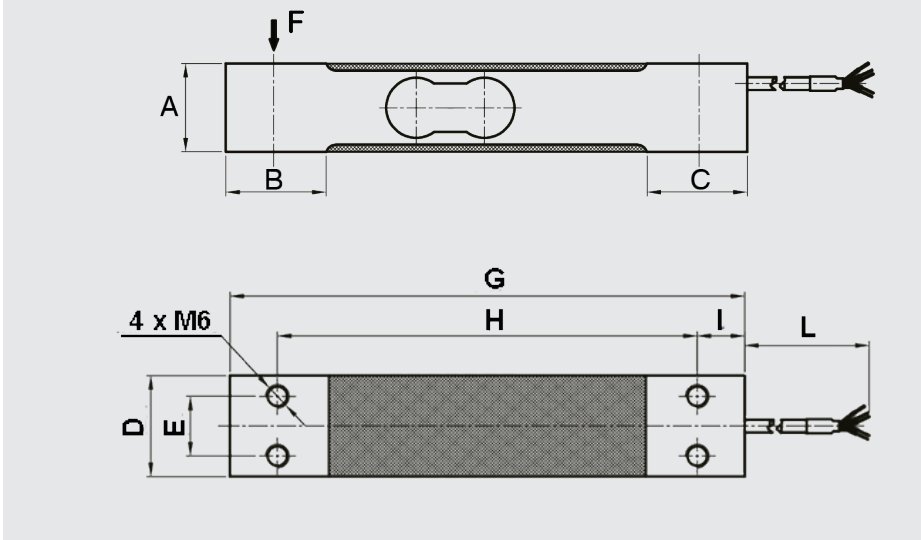
Model F4882								
Rated load $F_{nom}$ kg	3	5	7	10	15	20	30	40
Rated load $F_{nom}$ lbs	7	11	15	22	33	44	66	88
Relative linearity error $d_{lin}^{1)}$	$\pm 0.02 \% F_{nom}$							
Relative creep, 30 min.	$\pm 0.02 \% F_{nom}$							
Relative reversibility error $v$	$\pm 0.02 \% F_{nom}$							
Relative deviation of zero signal $d_{S, 0}$	$\pm 5 \% F_{nom}$							
Temperature effect on the zero signal $TC_0$	$\leq \pm 0.014 \% / 10 \text{ K}$							
Temperature effect on the characteristic value $TC_C$	$\leq \pm 0.02 \% / 10 \text{ K}$							
Limit force $F_L$	150 % $F_{nom}$							
Breaking force $F_B$	200 % $F_{nom}$							
Material of the measuring body	Aluminum							
Rated temperature range $B_{T, nom}$	-10 ... +40 °C [14 ... 104 °F]							
Service temperature range $B_{T, G}$	-20 ... +65 °C [-4 ... 149 °F]							
Input resistance $R_e$	410 $\pm$ 10 $\Omega$							
Output resistance $R_a$	350 $\pm$ 5 $\Omega$							
Insulation resistance $R_{iS}$	$\geq 5,000 \text{ M}\Omega / \text{DC } 100 \text{ V}$							
Output signal (rated characteristic value) $C_{nom}$	2.0 $\pm$ 0.2 mV/V							
Electrical connection	Measuring cable $\varnothing 4 \times 400 \text{ mm}$ [ $\varnothing 0.16 \times 15.75 \text{ in}$ ]							
Supply voltage $U_{B, nom}$	DC 5 ... 10 V (max. 15 V)							
Ingress protection (per IEC/EN 60529)	IP67							
Platform size	300 x 300 mm [11.81 x 11.81 in]							
Weight	0.25 kg [0.55 lbs]							

1) Relative linearity error is specified in accordance with guideline VDI/VDE/DKD 2638 chap. 3.2.6.



## Dimensions in mm [in]

Model F4882



EN

Dimensions in mm									
A	B	C	D	E	G	H	I	J	
22	25	25	25,4	15	130	106	12	400 ±20	

Dimensions in inch									
A	B	C	D	E	G	H	I	J	
0.87	0.98	0.98	1.00	0.6	5.12	4.17	0.47	15.75 ±0.79	

## 9. Specifications

### Model F4883

Rated load $F_{nom}$ kg	8	15	20	50	100	200	300
Rated load $F_{nom}$ lbs	18	33	44	110	220	441	661
Relative linearity error $d_{lin}$ <sup>1)</sup>	$\pm 0.02\% F_{nom}$						
Relative creep, 30 min.	$\pm 0.02\% F_{nom}$						
Relative reversibility error $v$	$\pm 0.02\% F_{nom}$						
Relative deviation of zero signal $d_{S, 0}$	$\pm 5\% F_{nom}$						
Temperature effect on the zero signal $TK_0$	$\leq \pm 0.014\%/10\text{ K}$						
Temperature effect on the characteristic value $TK_C$	$\leq \pm 0.02\%/10\text{ K}$						
Limit force $F_L$	150% $F_{nom}$						
Breaking force $F_B$	200% $F_{nom}$						
Material of the measuring body	Aluminum						
Rated temperature range $B_{T, nom}$	-10 ... +40 °C [14 ... 104 °F]						
Service temperature range $B_{T, G}$	-20 ... +60 °C [-4 ... 149 °F]						
Input resistance $R_e$	410 $\pm$ 10 $\Omega$						
Output resistance $R_a$	350 $\pm$ 5 $\Omega$						
Insulation resistance $R_{iS}$	$\geq 5,000\text{ M}\Omega/\text{DC } 100\text{ V}$						
Output signal (rated characteristic value) $C_{nom}$	2.0 $\pm$ 0.2 mV/V						
Electrical connection	Measuring cable $\varnothing 5 \times 3,000\text{ mm}$ [ $\varnothing 0.2 \times 118\text{ in}$ ]						
Supply voltage $U_{B, nom}$	DC 5 ... 10 V (max. 15 V)						
Ingress protection (per IEC/EN 60529)	IP66						
Platform size	600 x 500 mm [23.62 x 19.69 in]						
Weight	0.6 kg [1.3 lbs]						

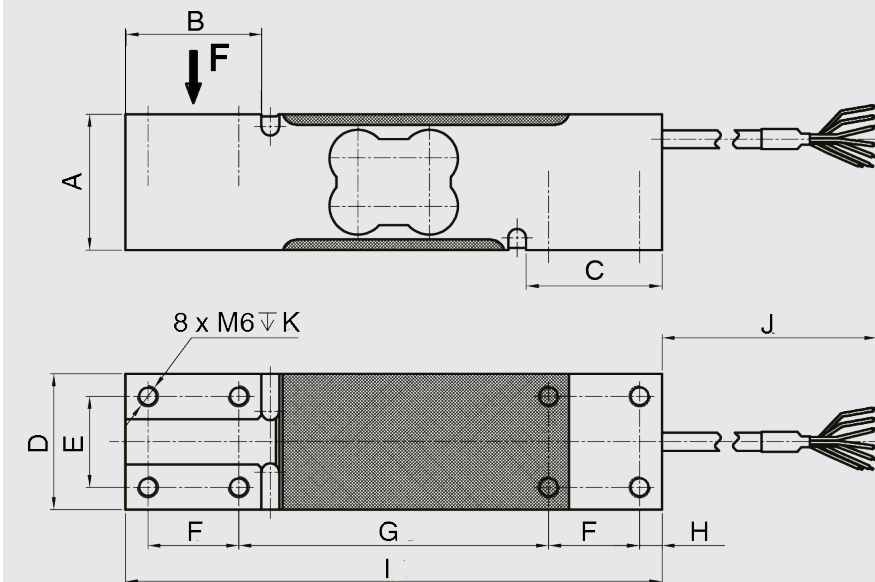
1) Relative linearity error is specified in accordance with guideline VDI/VDE/DK 2638 chap. 3.2.6.

EN

# 9. Specifications

## Dimensions in mm [in]

Model F4883



### Dimensions in mm

A	B	C	D	E	F	G	H	I	J	K
38	38	38	38	25.4	25.4	86.6	6.3	150	3,000 ±100	12

### Dimensions in inch

A	B	C	D	E	F	G	H	I	J	K
1.5	1.5	1.5	1.5	1	1	3.41	0.25	5.91	118 ±3.94	0.47

## 9. Specifications

### Typ F4884

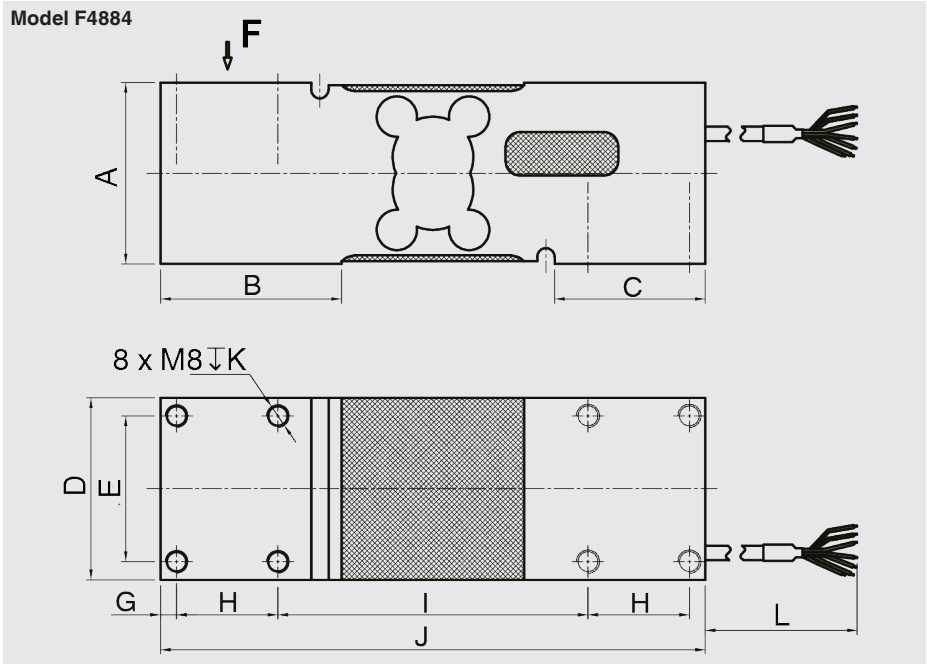
Rated load $F_{nom}$ kg	50	75	100	150	200	250	300	500	635
Rated load $F_{nom}$ lbs	110	165	220	331	441	551	661	1,102	1,400
Relative linearity error $d_{lin}^{1)}$	$\pm 0.02\% F_{nom}$								
Relative creep, 30 min.	$\pm 0.02\% F_{nom}$								
Relative reversability error $v$	$\pm 0.02\% F_{nom}$								
Relative deviation of zero signal $d_{S, 0}$	$\pm 5\% F_{nom}$								
Temperature effect on the zero signal $TK_0$	$\leq \pm 0.02\%/10\text{ K}$								
Temperature effect on the characteristic value $TK_C$	$\leq \pm 0.02\%/10\text{ K}$								
Limit force $F_L$	150 % $F_{nom}$								
Breaking force $F_B$	200 % $F_{nom}$								
Material of the measuring body	Aluminum								
Rated temperature range $B_{T, nom}$	-10 ... +40 °C [14 ... 104 °F]								
Service temperature range $B_{T, G}$	-20 ... +65 °C [-4 ... 149 °F]								
Input resistance $R_e$	410 $\pm 20\ \Omega$								
Output resistance $R_a$	350 $\pm 5\ \Omega$								
Insulation resistance $R_{is}$	$\geq 5,000\ \text{M}\Omega/\text{DC } 100\ \text{V}$								
Output signal (rated characteristic value) $C_{nom}$	2.0 $\pm 0.2\ \text{mV/V}$								
Electrical connection	Measuring cable $\varnothing 5 \times 2,000\ \text{mm}$ [ $\varnothing 0.2 \times 78.74\ \text{in}$ ]								
Supply voltage $U_{B, nom}$	DC 5 ... 10 V (max. 15 V)								
Ingress protection (per IEC/EN 60529)	IP67								
Platform size	600 x 600 mm [23.62 x 23.62 in]								
Weight	2 kg [4.4 lbs]								

1) Relative linearity error is specified in accordance with guideline VDI/VDE/DKD 2638 chap. 3.2.6.

EN

# 9. Specifications

## Dimensions in mm [in]



EN

### Dimensions in mm

A	B	C	D	E	G	H	I	J	K	L
62.3	62.5	52	62.5	50	5.5	35	107	188	20	2,000 ±100

### Dimensions in inch

A	B	C	D	E	G	H	I	J	K	L
2.45	2.46	2.05	2.46	1.97	0.22	1.38	4.21	7.4	0.79	78.74 ±3.94

14599906 05/2023 EN/DE

## 9. Specifications

### Typ F4885

Rated load $F_{nom}$ kg	1 3 5 7 10 15 20 50 75 100 150 200
Rated load $F_{nom}$ lbs	2 7 11 15 22 33 44 110 165 220 331 441
Relative linearity error $d_{lin}^{1)}$	$\pm 0.02\% F_{nom}$
Relative creep, 30 min.	$\pm 0.02\% F_{nom}$
Relative reversibility error $v$	$\pm 0.02\% F_{nom}$
Relative deviation of zero signal $d_{S,0}$	$\pm 5\% F_{nom}$
Temperature effect on the zero signal $TK_0$	$\leq \pm 0.014\%/10\text{ K}$
Temperature effect on the characteristic value $TK_C$	$\leq \pm 0.02\%/10\text{ K}$
Limit force $F_L$	$150\% F_{nom}$
Breaking force $F_B$	$300\% F_{nom}$
Material of the measuring body	Aluminum
Rated temperature range $B_{T, nom}$	$-10 \dots +40\text{ }^\circ\text{C}$ [ $14 \dots 104\text{ }^\circ\text{F}$ ]
Service temperature range $B_{T, G}$	$-20 \dots +65\text{ }^\circ\text{C}$ [ $-4 \dots 149\text{ }^\circ\text{F}$ ]
Input resistance $R_e$	$410 \pm 20\ \Omega$
Output resistance $R_a$	$350 \pm 5\ \Omega$
Insulation resistance $R_{is}$	$\geq 2,000\ \text{M}\Omega/\text{DC } 100\ \text{V}$
Output signal (Rated characteristic value) $C_{nom}$	$2.0 \pm 0.2\ \text{mV/V}$
Electrical connection	Measuring cable $\varnothing 5 \times 3,000\ \text{mm}$ [ $\varnothing 0.2 \times 118\ \text{in}$ ]
Supply voltage $U_{B, nom}$	DC $5 \dots 10\ \text{V}$ (max. 15 V)
Ingress protection (per IEC/EN 60529)	IP67
Platform size	$450 \times 450\ \text{mm}$ [ $17.72 \times 17.72\ \text{in}$ ]
Weight	$0.5\ \text{kg}$ [ $1.1\ \text{lbs}$ ]

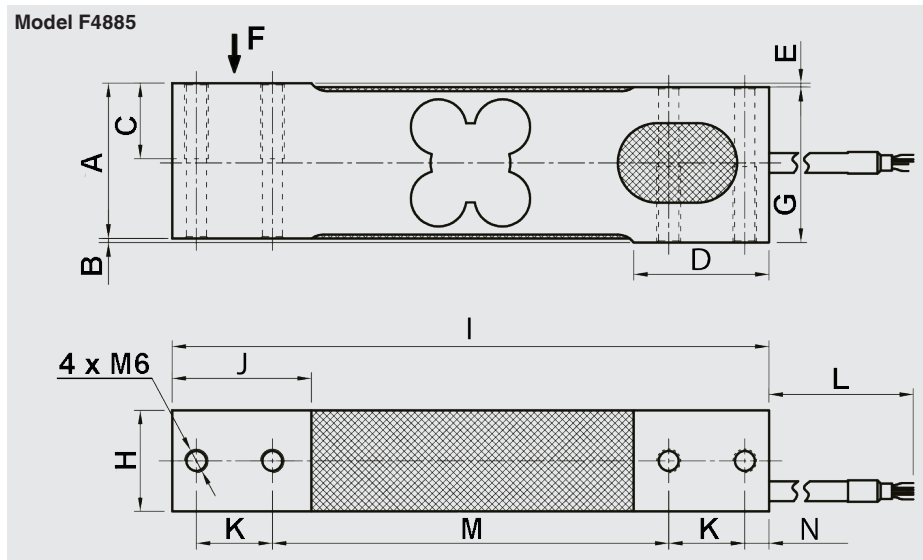
1) Relative linearity error is specified in accordance with guideline VDI/VDE/DKG 2638 chap. 3.2.6.

EN

# 9. Specifications / Approvals

EN

## Dimensions in mm [in]



Dimensions in mm												
A	B	C	D	E	G	H	I	J	K	L	M	N
39	1	19	34	1	39	25.4	150	35	19.1	3,000 ±150	99.6	6.1

Dimensions in inch												
A	B	C	D	E	G	H	I	J	K	L	M	N
1.54	0.04	0.35	1.34	0.04	1.54	1	5.91	1.38	0.752	118 ±5.91	3.92	0.24

### 9.1 Approvals

Logo	Description	Region
	EU declaration of conformity RoHS directive	European Union
	UKCA RoHS directive	United Kingdom

### Optional approvals

Logo	Description	Region
	EAC	Eurasian Economic Community

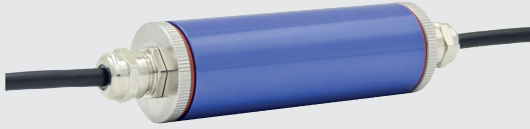
14599906 05/2023 EN/DE

## 10. Accessories

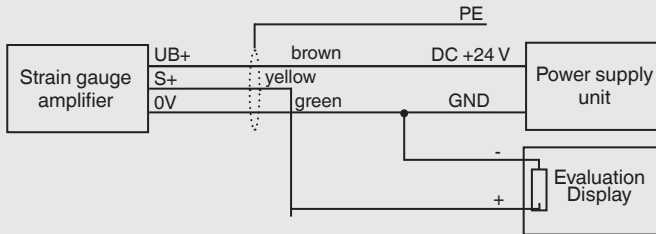
### 10. Accessories

#### 10.1 Cable amplifier, model B1940

EN



#### Pin assignment with cable amplifier



Further technical details about our cable amplifier can be found in the data sheet AC 50.09.

#### 10.2 Multi-function display analogue signals, model E1931



#### 10.3 Strain gauge weighing electronics, model E1932



Further technical details on electronics can be found in data sheets FO 58.06 for model E1931 and FO 58.07 for model E1932.



### 10.4 Junction box, model B6578



EN

Further technical details about our cable amplifier can be found in the data sheet FO 58.02

Further WIKA accessories can be found online at [www.wika.com](http://www.wika.com).



EN

## EU-Konformitätserklärung EU Declaration of Conformity

Dokument Nr. 14590439  
Document No.

Revision 1  
Issue

Wir erklären in alleiniger Verantwortung, dass die mit CE gekennzeichneten Produkte  
We declare under our sole responsibility that the CE marked products

**Typenbezeichnung** F4801, F4802, F4818, F4881, F4882, F4883, F4884, F4885  
**Type Designation**

**Beschreibung** Plattformwägezellen <sup>(1)</sup>  
**Description** Single point load cell <sup>(1)</sup>

gemäß gültigem Datenblatt FO53.01, FO53.13, FO53.14, FO53.16, FO53.17 FO53.18,  
according to the valid data sheet FO53.19 FO53.20

mit den nachfolgenden relevanten Harmonisierungsvorschriften der Union  
übereinstimmen  
are in conformity with the following relevant Union harmonisation legislation

Angewandte harmonisierte Normen:  
Applied harmonised standards:

2011/65/EU Gefährliche Stoffe (RoHS)  
Hazardous substances (RoHS)

EN IEC 63000:2018

(1) Alle Geräte mit passiven mV/V Ausgang ohne Messverstärker  
All devices with passive mV/V output without measuring amplifier

Unterzeichnet für und im Namen von / Signed for and on behalf of

**Bevollmächtigter / Authorised representative**

**tecsis GmbH**  
Offenbach, 2023-09-06

Michael Kirsch, QM Manager  
tecsis GmbH, CoE Force Measurement

**Hersteller / Manufacturer**

**WIKAI Alexander Wiegand SE & Co. KG**

Thomas Steinbacher; General Management  
tecsis GmbH, CoE Force Measurement

WIKAI Alexander Wiegand SE & Co. KG  
Alexander-Wiegand-Straße 30  
63911 Klingenberg  
Germany  
WEEE-Reg.-Nr. DE 92770372  
09/2022

Tel. +49 9372 132-0  
Fax +49 9372 132-406  
E-Mail info@wika.de  
www.wika.de

Kommanditgesellschaft, Sitz Klingenberg –  
Amtsgericht Aschaffenburg HRA 1819

Komplementärin:  
WIKAI International SE - Sitz Klingenberg –  
Amtsgericht Aschaffenburg HRB 10505  
Vorstand: Alexander Wiegand  
Vorsitzender des Aufsichtsrats: Prof. Dr. Roderich C. Thümmel  
22AR-04531



## UK Declaration of Conformity

Document No. 14590463

Issue 1

We declare under our sole responsibility that the UKCA marked products

<b>Type Designation</b>	<b>F4801, F4802, F4818, F4881, F4882, F4883, F4884, F4885</b>
<b>Description</b>	<b>Single point load cell <sup>(1)</sup></b>
according to the valid data sheet	FO53.01, FO53.13, FO53.14, FO53.16, FO53.17 FO53.18, FO53.19 FO53.20

comply with the applicable UK Statutory Requirements	Applied designated standards <sup>(0)</sup>
--	---

The Restriction of the Use of Certain Hazardous Substances in Electrical and Electronic Equipment Regulations 2012 No. 3032 (as amended)	EN IEC 63000:2018
--	-------------------

- (0) At the time of writing this document designated standards are prefixed "BS", "EN", "EN ISO" or "EN IEC". Where the designated standard specified in the notice of publication is prefixed "EN" it is acceptable to reference this version in technical documentation, or a version of the same standard with a national prefix. For more information see <https://www.gov.uk/guidance/designated-standards>.
- (1) All devices with passive mV/V output without measuring amplifier.

Signed for and on behalf of

**Authorised representative**  
**tecsis GmbH**  
 Offenbach, 2023-09-06

**Manufacturer**  
**WIKAL Alexander Wiegand SE & Co. KG**

Michael Kirsch, QM Manager  
 tecsis GmbH, CoE Force Measurement

Thomas Steinbacher; General Management  
 tecsis GmbH, CoE Force Measurement

WIKAL Alexander Wiegand SE & Co. KG  
 Alexander-Wiegand-Straße 30  
 63911 Klingenberg  
 Germany  
 WEEE-Reg.-Nr. DE 92770372  
 09/2022

Tel. +49 9372 132-0  
 Fax +49 9372 132-406  
 E-Mail [info@wika.de](mailto:info@wika.de)  
[www.wika.de](http://www.wika.de)

Kommanditgesellschaft: Sitz Klingenberg –  
 Amtsgericht Aschaffenburg HRA 1819

Komplementärin:  
 WIKAL International SE - Sitz Klingenberg -  
 Amtsgericht Aschaffenburg HRB 10505  
 Vorstand: Alexander Wiegand  
 Vorsitzender des Aufsichtsrats: Prof. Dr. Roderich C. Thümmel  
 22AR-04531



# Inhalt

<b>1. Allgemeines</b>	<b>38</b>
<b>2. Aufbau und Funktion</b>	<b>39</b>
2.1 Übersicht	39
2.2 Beschreibung	39
2.3 Lieferumfang	39
<b>3. Sicherheit</b>	<b>40</b>
3.1 Symbolerklärung	40
3.2 Bestimmungsgemäße Verwendung	40
3.3 Fehlgebrauch	41
3.4 Verantwortung des Betreibers	41
3.5 Personalqualifikation	42
3.6 Persönliche Schutzausrüstung	42
3.7 Beschilderung, Sicherheitskennzeichnungen	43
<b>4. Transport, Verpackung und Lagerung</b>	<b>44</b>
4.1 Transport	44
4.2 Verpackung und Lagerung	44
<b>5. Inbetriebnahme, Betrieb</b>	<b>45</b>
5.1 Montagevorbereitung	45
5.2 Montagehinweise	45
5.3 Montage der Plattformwägezelle	46
5.4 Elektrischer Anschluss	47
<b>6. Störungen</b>	<b>47</b>
<b>7. Wartung und Reinigung</b>	<b>48</b>
7.1 Wartung	48
7.2 Reinigung	48
<b>8. Demontage, Rücksendung und Entsorgung</b>	<b>49</b>
8.1 Demontage	49
8.2 Rücksendung	49
8.3 Entsorgung	49
<b>9. Technische Daten</b>	<b>50</b>
9.1 Zulassungen	65
<b>10. Zubehör</b>	<b>66</b>
10.1 Kabelmessverstärker, Typ B1940	66
10.2 Multifunktionsanzeige für Analogsignale, Typ E1931	66
10.3 DMS-Wägeelektronik, Typ E1932	66
10.4 Anschlusskasten, Typ B6578	67
<b>Anlage: EU-Konformitätserklärung</b>	<b>68</b>
<b>Anlage: UK-Konformitätserklärung</b>	<b>69</b>

## 1. Allgemeines

- Die in der Betriebsanleitung beschriebenen Plattformwägezellen werden nach dem aktuellen Stand der Technik konstruiert und gefertigt. Alle Komponenten unterliegen während der Fertigung strengen Qualitäts- und Umweltkriterien. Unsere Managementsysteme sind nach ISO 9001 zertifiziert.
- Diese Betriebsanleitung gibt wichtige Hinweise zum Umgang mit dem Gerät. Voraussetzung für sicheres Arbeiten ist die Einhaltung aller angegebenen Sicherheitshinweise und Handlungsanweisungen.
- Die für den Einsatzbereich des Gerätes geltenden örtlichen Unfallverhütungsvorschriften und allgemeinen Sicherheitsbestimmungen einhalten.
- Die Betriebsanleitung ist Produktbestandteil und muss in unmittelbarer Nähe des Gerätes für das Fachpersonal jederzeit zugänglich aufbewahrt werden. Betriebsanleitung an nachfolgende Benutzer oder Besitzer des Gerätes weitergeben.
- Das Fachpersonal muss die Betriebsanleitung vor Beginn aller Arbeiten sorgfältig durchgelesen und verstanden haben.
- Bei unterschiedlicher Auslegung der übersetzten und der englischen Betriebsanleitung ist der englische Wortlaut maßgebend.
- In diesem Dokument wird zur besseren Lesbarkeit das generische Maskulinum verwendet. Weibliche und anderweitige Geschlechteridentitäten werden dabei ausdrücklich eingeschlossen.
- Es gelten die allgemeinen Geschäftsbedingungen in den Verkaufsunterlagen.
- Technische Änderungen vorbehalten.

Weitere Informationen:

- Internet-Adresse: [www.wika.de](http://www.wika.de)
- Zugehöriges Datenblatt: 

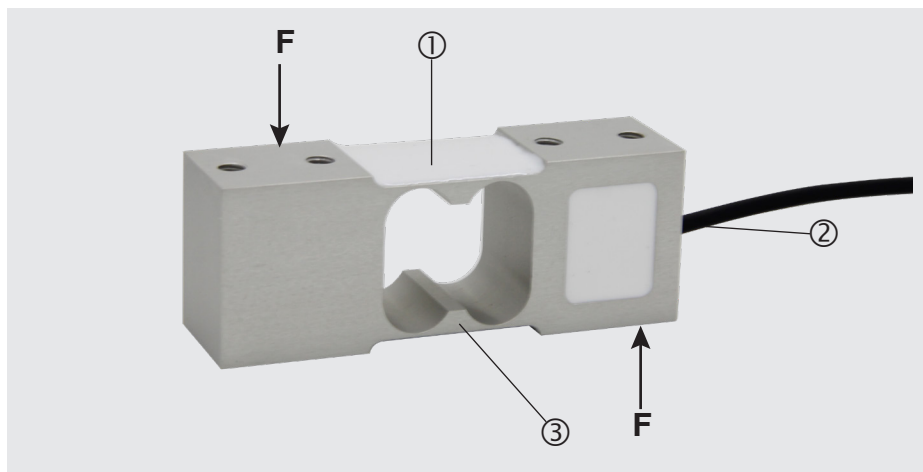
FO 53.10 (Typ F4801)	FO 53.16 (Typ F4881)
FO 53.13 (Typ F4802)	FO 53.17 (Typ F4882)
FO 53.14 (Typ F4818)	FO 53.18 (Typ F4883)
	FO 53.19 (Typ F4884)
	FO 53.20 (Typ F4885)
- Anwendungsberater: Tel.: +49 9372 132-0  
info@wika.de

### Abkürzungen, Definitionen

4-Leiter	Zwei Anschlussleitungen zur Spannungsversorgung Zwei Anschlussleitungen für das Messsignal
UB+	Positiver Versorgungsanschluss
UB-	Negativer Versorgungsanschluss
S+	Positiver Signalausgang
S-	Negativer Signalausgang
Schirm	Gehäuse
DMS	Dehnungsmessstreifen

### 2. Aufbau und Funktion

#### 2.1 Übersicht



- ① Dehnungsmessstreifen (DMS)
- ② Elektrischer Anschluss
- ③ Messfeder

#### 2.2 Beschreibung

Die Plattformwägezelle ist für das Messen dynamischer und statischer Druckkräfte in Boden- und Tischwaagen, Mehrkopf-Kombinations- und Kontrollwaagen vorgesehen. Die Plattformwägezelle besteht aus einer Messfeder auf der vier Dehnungsmessstreifen (DMS) aufgebracht sind. Der Messkörper ist aus Aluminium gefertigt und wird durch in die Krafrichtung eingeleitete Kraft elastisch verformt. Die entstehenden mechanischen Spannungen werden dabei durch die Dehnungsmessstreifen (DMS) gemessen und als elektrisches Ausgangssignal ausgegeben.

Die Dehnungsmessstreifen (DMS) sind so angeordnet, dass zwei von ihnen gedehnt und die beiden anderen gestaucht werden, wenn eine Kraft auf die Plattformwägezelle einwirkt.

Die Plattformwägezellenschaltung enthält Korrektur- und Kompensationswiderstände, um unerwünschte Einflüsse auf Nullsignal und Kennwert zu beseitigen.

#### 2.3 Lieferumfang

- Plattformwägezelle
- Betriebsanleitung

## 3. Sicherheit

### 3.1 Symbolerklärung



#### WARNUNG!

... weist auf eine möglicherweise gefährliche Situation hin, die zum Tod oder zu schweren Verletzungen führen kann, wenn sie nicht gemieden wird.



#### VORSICHT!

... weist auf eine möglicherweise gefährliche Situation hin, die zu geringfügigen oder leichten Verletzungen bzw. Sach- und Umweltschäden führen kann, wenn sie nicht gemieden wird.



#### Information

... hebt nützliche Tipps und Empfehlungen sowie Informationen für einen effizienten und störungsfreien Betrieb hervor.

### 3.2 Bestimmungsgemäße Verwendung

Die Plattformwägezellen sind für das sehr schnelle und akkurate Wägen vorgesehen.

Typ	Nennlast	Ausführung
F4801	0 ... 3 kg to 0 ... 250 kg [0 ... 7 lbs to 0 ... 551 lbs]	
F4802	0 ... 0,3 kg to 0 ... 10 kg [0 ... 0,7 lbs to 0 ... 22 lbs]	
F4818	0 ... 20 kg to 0 ... 500 kg [0 ... 44 lbs to 0 ... 1.102 lbs]	
F4881	0 ... 2 kg bis 0 ... 30 kg [0 ... 4,4 lbs bis 0 ... 66,14 lbs]	
F4882	0 ... 3 kg bis 0 ... 40 kg [0 ... 6,61 lbs bis 0 ... 88,18 lbs]	
F4883	0 ... 8 kg bis 0 ... 300 kg [0 ... 17,64 lbs bis 0 ... 661 lbs]	
F4884	0 ... 50 kg und 0 ... 635 kg [0 ... 110 lbs und 0 ... 1.400 lbs]	
F4885	0 ... 1 kg bis 0 ... 200 kg [0 ... 2,2 lbs bis 0 ... 441 lbs]	



Wägezellen zum Wägen sind für den Einsatz innerhalb von Gebäuden konzipiert. Die Wägezellen werden zur Messung von Kräften in eine Richtung verwendet. Die gemessene Kraft wird als elektrisches Signal ausgegeben. Diese Geräte sind für den Betrieb in industrieller Umgebung ausgelegt. In anderen Umgebungen, z. B. in Wohn- oder Geschäftsräumen, können sie andere Geräte stören. In diesem Fall kann vom Betreiber verlangt werden, dass er entsprechende Maßnahmen ergreift. Die Verwendung der Wägezelle ist nur in Anwendungen gestattet, die innerhalb der technischen Leistungsgrenze liegen (z. B. max. Umgebungstemperatur, Materialverträglichkeit, etc.). Mehr zu den Leistungsgrenzen siehe Kapitel 9 "Technische Daten". Die Wägezellen sind ausschließlich für die hier beschriebene bestimmungsgemäße Verwendung konzipiert und dürfen nur entsprechend eingesetzt werden. Ansprüche jeglicher Art wegen nicht bestimmungsgemäßer Verwendung sind ausgeschlossen.

### 3.3 Fehlgebrauch



**WARNUNG!**  
**Verletzungen durch Fehlgebrauch**

Fehlgebrauch des Gerätes kann zu gefährlichen Situationen und Verletzungen führen.

- ▶ Eigenmächtige Umbauten am Gerät unterlassen.

Jede über die bestimmungsgemäße Verwendung hinausgehende oder andersartige Benutzung gilt als Fehlgebrauch.

### 3.4 Verantwortung des Betreibers

Das Gerät wird im gewerblichen Bereich eingesetzt. Der Betreiber unterliegt daher den gesetzlichen Pflichten zur Arbeitssicherheit.

Die Sicherheitshinweise dieser Betriebsanleitung, sowie die für den Einsatzbereich des Gerätes gültigen Sicherheits-, Unfallverhütungs- und Umweltschutzvorschriften einhalten.

Der Betreiber ist verpflichtet das Typenschild lesbar zu halten.

Für ein sicheres Arbeiten am Gerät muss der Betreiber sicherstellen,

- dass eine entsprechende Erste-Hilfe-Ausrüstung vorhanden ist und bei Bedarf jederzeit Hilfe zur Stelle ist.
- dass das Elektrofachpersonal regelmäßig in allen zutreffenden Fragen von Arbeitssicherheit, Erste Hilfe und Umweltschutz unterwiesen wird, sowie die Betriebsanleitung und insbesondere die darin enthaltenen Sicherheitshinweise kennt.
- dass das Gerät gemäß der bestimmungsgemäßen Verwendung für den Anwendungsfall geeignet ist.
- dass die persönliche Schutzausrüstung verfügbar ist.

### 3.5 Personalqualifikation



#### **WARNUNG!**

#### **Verletzungsgefahr bei unzureichender Qualifikation**

Unsachgemäßer Umgang kann zu erheblichen Personen- und Sachschäden führen.

- ▶ Die in dieser Betriebsanleitung beschriebenen Tätigkeiten nur durch Fachpersonal nachfolgend beschriebener Qualifikation durchführen lassen.

### Elektrofachpersonal

Das Elektrofachpersonal ist aufgrund seiner fachlichen Ausbildung, Kenntnisse und Erfahrungen sowie Kenntnis der landesspezifischen Vorschriften, geltenden Normen und Richtlinien in der Lage, Arbeiten an elektrischen Anlagen auszuführen und mögliche Gefahren selbstständig zu erkennen und zu vermeiden. Das Elektrofachpersonal ist speziell für das Arbeitsumfeld, in dem es tätig ist, ausgebildet und kennt die relevanten Normen und Bestimmungen. Das Elektrofachpersonal muss die Bestimmungen der geltenden gesetzlichen Vorschriften zur Unfallverhütung erfüllen.

### 3.6 Persönliche Schutzausrüstung

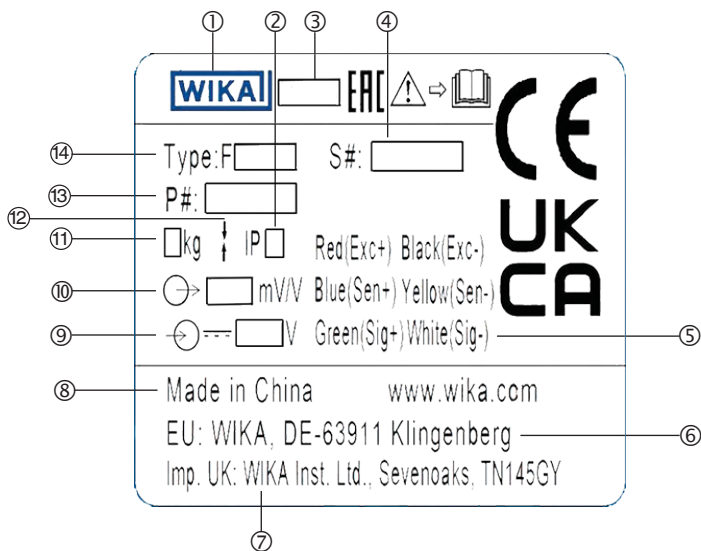
Anforderungen an benötigte Schutzausrüstung ergeben sich aus den Umgebungsbedingungen am Ort der Nutzung, anderen Produkten oder der Verknüpfung mit anderen Produkten.

Die erforderliche persönliche Schutzausrüstung muss vom Betreiber zur Verfügung gestellt werden. Der Betreiber wird durch diese Vorschläge in keiner Weise von seinen arbeitsrechtlichen Pflichten zur Sicherheit und dem Schutz der Gesundheit der Arbeitnehmer entbunden.

Die Bemessung der persönlichen Schutzausrüstung muss unter Berücksichtigung aller Betriebsparameter des Einsatzortes erfolgen.

## 3.7 Beschilderung, Sicherheitskennzeichnungen

### Typenschild



DE

- |                               |                       |
|-------------------------------|-----------------------|
| ① Herstellerlogo              | ⑧ Herstellungsland    |
| ② Schutzart nach IEC/EN 60529 | ⑨ Versorgungsspannung |
| ③ Herstellungsjahr            | ⑩ Ausgangssignal      |
| ④ Serien-Nr.                  | ⑪ Nennlast            |
| ⑤ Anschlussbelegung           | ⑫ Kraftrichtung       |
| ⑥ Inverkehrbringer in der EU  | ⑬ Artikel-Nr.         |
| ⑦ Importeur in UK             | ⑭ Typ                 |



Vor Montage und Inbetriebnahme des Gerätes unbedingt die Betriebsanleitung lesen!

### 4. Transport, Verpackung und Lagerung

#### 4.1 Transport

Die Plattformwägezelle auf eventuell vorhandene Transportschäden untersuchen. Offensichtliche Schäden unverzüglich mitteilen.

DE



#### **VORSICHT!**

#### **Beschädigungen durch unsachgemäßen Transport**

Bei unsachgemäßem Transport können Sachschäden in erheblicher Höhe entstehen.

- ▶ Beim Abladen der Packstücke bei Anlieferung sowie innerbetrieblichem Transport vorsichtig vorgehen und die Symbole auf der Verpackung beachten.
- ▶ Bei innerbetrieblichem Transport die Hinweise unter Kapitel 4.2 „Verpackung und Lagerung“ beachten.

Als Präzisionsmessgeräte verlangen die Plattformwägezellen beim Transport und der Montage eine sorgfältige Handhabung. Laststöße während des Transports (z. B. Aufschlag auf harten Untergrund) können zu bleibenden Schäden führen, die im späteren Messbetrieb zu Messfehlern führen.

#### 4.2 Verpackung und Lagerung

Verpackung erst unmittelbar vor der Montage entfernen.

Die Verpackung aufbewahren, denn diese bietet bei einem Transport einen optimalen Schutz (z. B. wechselnder Einbauort, Reparatursendung).

Die Messfeder ist vollständig aus Aluminium hergestellt und entspricht der Schutzart IP66 bzw. IP67.

#### **Zulässige Bedingungen am Lagerort:**

- Lagertemperatur: -20 ... +65 °C [-4 ... +149°F]
- Feuchtigkeit: 35 ... 85 % relative Feuchte (keine Betauung)

#### **Folgende Einflüsse vermeiden:**

- Mechanische Vibration, mechanischer Schock (hartes Aufstellen)
- Staub, Schmutz und sonstige Gegenstände dürfen sich nicht so ablagern, dass sie einen Kraftnebenschluss zur Messfeder bilden, da dadurch das Messsignal verfälscht wird.

### 5. Inbetriebnahme, Betrieb

#### 5.1 Montagevorbereitung

- Plattformwägezellen sind empfindliche Messgeräte und entsprechend sorgsam zu behandeln.
- Bei der Inbetriebnahme der Plattformwägezelle muss auf eine ebene, saubere und fettfreie Montagefläche geachtet werden.

#### 5.2 Montagehinweise



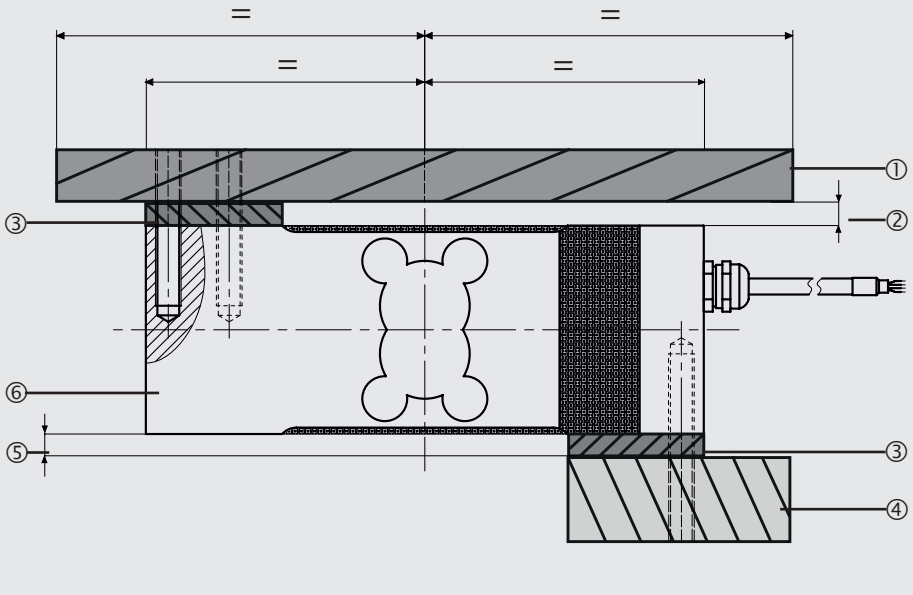
#### **VORSICHT!**

#### **Beschädigung des Gerätes durch unsachgemäße Inbetriebnahme**

- Die Krafteinleitung erfolgt über eine auf die Plattformwägezelle montierte Plattform. Die Last kann auf dieser Plattform beliebig positioniert werden. Auf die Plattformgröße ist zu achten, siehe Kapitel 9 „Technische Daten“.
- Zu hohe Torsions- und Querkräfte sind zu vermeiden. Torsionsmomente und Querbelastungen bzw. Seitenkräfte verursachen Messfehler und können die Plattformwägezelle bleibend schädigen.
- Während des Einbaus der Plattformwägezelle ist das Ausgangssignal (Kraftwert) stets zu überwachen, um eine mechanische Überlastung zu vermeiden.
- Die Plattformwägezelle darf nur in der vorgesehenen Belastungsrichtung belastet werden, siehe Kapitel 3.7 „Beschilderung, Sicherheitskennzeichnungen“. Fehlbelastungen in die falsche Belastungsrichtung können die Plattformwägezelle bleibend schädigen.
- Eine Überlastung ist zu jeder Zeit auszuschließen.
- Bei der Montage darauf achten, dass die Plattformwägezelle genügend Federweg hat, siehe Kapitel 5.3 „Montage der Plattformwägezelle“. Gegebenenfalls Distanzstücke verwenden.
- Das max. Drehmoment zur Befestigung der Plattformwägezelle ist zu beachten, siehe Kapitel 9 „Technische Daten“.
- Gegebenenfalls ist bei der Montage der Wägezelle ein Anschlag als Überlastschutz zu verwenden.

## 5.3 Montage der Plattformwägezelle

DE



- ① Plattform/Montagefläche
- ② Federweg
- ③ Distanzstück
- ④ Montagefläche
- ⑤ Federweg
- ⑥ Plattformwägezelle

- Die Unterseite der Plattformwägezelle ⑥ mit der Montagefläche ④ und ① verschrauben und dabei darauf achten, dass die gegenüberliegende Seite der Plattformwägezelle nicht auf der Montagefläche aufliegt (kein Kraftnebenschluss). Je nach Wägezelle kann diese auch auf einer seitlich angeordneten Fläche montiert werden.
- Gegebenenfalls Distanzstücke ③ verwenden. Die Dicke des Distanzstücks entspricht dem Federweg ② und ⑤.
- Die Plattform ① so ausrichten, dass die Mitte der Plattform der Mitte der Plattformwägezelle ⑥ entspricht.
- Die Oberseite der Plattformwägezelle ⑥ mit der Plattform verschrauben und dabei darauf achten, dass die gegenüberliegende Seite der Plattformwägezelle keinen Kontakt mit der Plattform hat (kein Kraftnebenschluss).
- Gegebenenfalls Distanzstücke ③ verwenden.

## 5.4 Elektrischer Anschluss

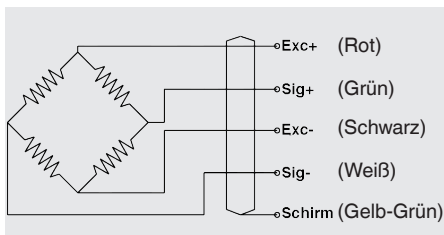
Um Einkopplungen von Störungen zu vermeiden, sind folgende Hinweise zu beachten:

- Ein abgeschirmtes, kapazitätsarmes Messkabel ist an der Plattformwägezelle angebaut.
- Den Schirm des Messkabels erden.
- Streufelder von Transformatoren sowie Motoren und Schützen vermeiden.
- Beim Verlängern dürfen nur abgeschirmte und kapazitätsarme Kabel verwendet werden. Die erlaubten maximalen und minimalen Längen des Kabels sind in der ISO 11898-2 angegeben. Dabei ist auf eine hochwertige Verbindung auch der Abschirmung zu achten.
- Messkabel nicht parallel zu Starkstrom- und Steuerleitungen legen.
- Plattformwägezelle, Verstärker und Verarbeitungs- bzw. Anzeigeeinheit dürfen nicht mehrfach geerdet werden.

Die Anschlussbelegung des Kabels ist dem Typenschild zu entnehmen.

### 5.4.1 Anschlussbelegung Kabel

Elektrischer Anschluss		
Versorgungsspannung+	Exc+	Rot
Versorgungsspannung-	Exc-	Schwarz
Signal+	Sig+	Grün
Signal-	Sig-	Weiß
Schirm ⊕	Schirm	Gelb-Grün



## 6. Störungen



### VORSICHT! Körperverletzungen, Sachschäden

Können Störungen mit Hilfe der aufgeführten Maßnahmen nicht beseitigt werden, die Plattformwägezelle unverzüglich außer Betrieb setzen.

- ▶ Kontakt mit dem Hersteller aufnehmen.
- ▶ Bei notwendiger Rücksendung die Hinweise unter Kapitel 8.2 „Rücksendung“ beachten.



Kontaktdaten siehe Kapitel 1 „Allgemeines“ oder Rückseite der Betriebsanleitung.

Störungen	Ursachen	Maßnahmen
<b>Kein Ausgangssignal</b>	Keine oder falsche Hilfsenergie, Stromstoß	Hilfsenergie korrigieren
	Leitungsbruch	Durchgang überprüfen
<b>Kein oder falsches Ausgangssignal</b>	Falsche Kabelbelegung	Kabelbelegung prüfen
<b>Abweichendes Nullpunkt-Signal</b>	Überlast, Last-Offset, falscher Anschluss	Rücksprache mit Hersteller
<b>Abweichendes Ausgangssignal</b>	Kabel zu lang	Rücksprache mit Hersteller
<b>Gleichbleiben des Ausgangssignals bei Kraftänderung</b>	Falsche Kabelbelegung	Kabelbelegung prüfen
	Mechanische Überlastung	Rücksprache mit Hersteller
<b>Spannsweite fällt ab/ zu klein</b>	Mechanische Überlastung	Rücksprache mit Hersteller

Defekte Geräte sind an den Hersteller zurückzusenden.

## 7. Wartung und Reinigung



Kontaktinformationen siehe Kapitel 1 „Allgemeines“ oder Rückseite der Betriebsanleitung.

### 7.1 Wartung

Dieses Gerät ist wartungsfrei.

Reparaturen sind ausschließlich vom Hersteller durchzuführen.

Nur Originalteile verwenden (siehe Kapitel 10 „Zubehör“).

### 7.2 Reinigung

1. Vor der Reinigung die Plattformwägezelle ordnungsgemäß von Spannungsversorgung trennen und ausbauen.
2. Die Plattformwägezelle mit einem Tuch reinigen.  
Elektrische Anschlüsse nicht mit Feuchtigkeit in Berührung bringen!



#### **VORSICHT!** **Beschädigung des Gerätes**

Eine unsachgemäße Reinigung führt zur Beschädigung des Gerätes!

- ▶ Keine aggressiven Reinigungsmittel verwenden.
- ▶ Keine harten und spitzen Gegenstände zur Reinigung verwenden.



### 8. Demontage, Rücksendung und Entsorgung

#### 8.1 Demontage

Die Plattformwägezelle entlasten, vom Strom trennen und aus der Montagesituation ausbauen.

#### 8.2 Rücksendung

##### Beim Versand des Gerätes unbedingt beachten:

Alle an WIKA gelieferten Geräte müssen frei von Gefahrstoffen (Säuren, Laugen, Lösungen, etc.) sein und sind daher vor der Rücksendung zu reinigen.

Zur Rücksendung des Gerätes die Originalverpackung oder eine geeignete Transportverpackung verwenden.

##### Um Schäden zu vermeiden:

1. Das Gerät in eine antistatische Plastikfolie einhüllen.
2. Das Gerät mit dem Dämmmaterial in der Verpackung platzieren.  
Zu allen Seiten der Transportverpackung gleichmäßig dämmen.
3. Wenn möglich einen Beutel mit Trocknungsmittel der Verpackung beifügen.
4. Sendung als Transport eines hochempfindlichen Messgerätes kennzeichnen.



Hinweise zur Rücksendung befinden sich in der Rubrik „Service“ auf unserer lokalen Internetseite.

#### 8.3 Entsorgung

Durch falsche Entsorgung können Gefahren für die Umwelt entstehen. Gerätekomponten und Verpackungsmaterialien entsprechend den landesspezifischen Abfallbehandlungs- und Entsorgungsvorschriften umweltgerecht entsorgen.



Nicht mit dem Hausmüll entsorgen. Für eine geordnete Entsorgung gemäß nationaler Vorgaben sorgen.

## 9. Technische Daten

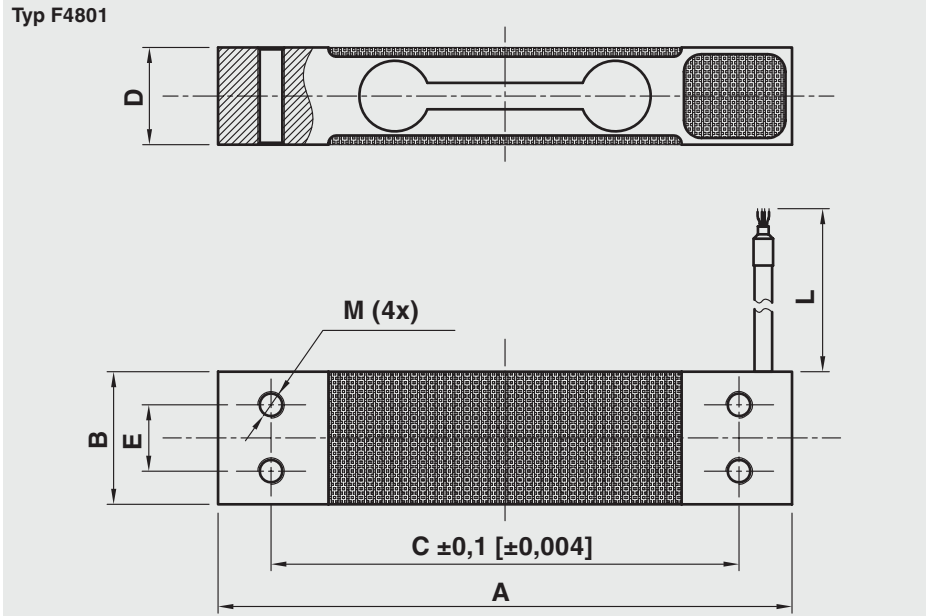
### Typ F4801

Nennlast $F_{nom}$ kg	3; 4; 5; 6; 8; 10; 15; 20; 25; 30; 40; 45; 50; 60; 100; 150; 200; 250
Nennlast $F_{nom}$ lbs	7; 9; 11; 13; 18; 22; 33; 44; 55; 66; 88; 99; 110; 132; 221; 331; 441; 551
Relative Linearitätsabweichung $d_{lin}^{1)}$	$\pm 0,02 \% F_{nom}$
Relatives Kriechen, 30 min,	$\pm 0,02 \% F_{nom}$
Relative Umkehrspanne $v$	$\pm 0,02 \% F_{nom}$
Relative Abweichung des Nullsignals $d_{S,0}$	$\pm 2 \% F_{nom}$
Temperatureinfluss auf das Nullsignal $TK_0$	$\leq \pm 0,02 \% / 10 K$
Temperatureinfluss auf den Kennwert $TK_C$	$\leq \pm 0,02 \% / 10 K$
Grenzkraft $F_L$	$150 \% F_{nom}$
Bruchkraft $F_B$	$200 \% F_{nom}$
Werkstoff des Messkörpers	Aluminium
Nenntemperaturbereich $B_{T, nom}$	-10 ... +40 °C [+14 ... +104 °F]
Gebrauchstemperaturbereich $B_{T, G}$	-20 ... +60 °C [-4 ... +140 °F]
Eingangswiderstand $R_e$	$410 \pm 10 \Omega$
Ausgangswiderstand $R_a$	$350 \pm 5 \Omega$
Isolationswiderstand $R_{is}$	$\geq 2.000 M\Omega / DC 100 V$
Ausgangssignal (Nennkennwert) $C_{nom}$	$2,0 \pm 0,2 mV/V$
Elektrischer Anschluss	Messkabel $\varnothing 4 \times 450 mm$ [ $\varnothing 0,16 \times 17,72 in$ ]
Versorgungsspannung $U_{B, nom}$	DC 10 V (max. 15 V)
Schutzart (nach IEC/EN 60529)	IP65
Plattformgröße	250 x 300 mm [9,84 x 11,81 in]
<b>Gewicht</b>	
Nennlast: 3 bis 50 kg [7 bis 110 lbs]	0,3 kg [0,7 lbs]
60 bis 250 kg [132 bis 551 lbs]	0,4 kg [0,9 lbs]

1) Relative Linearitätsabweichung ist nach Richtlinie VDI/VDE/DKD 2638 Kap. 3.2.6 angegeben

DE

## Abmessungen in mm [in]



DE

Nennlast in kg	Abmessungen in mm						
	A	B	C	D	E	L	M
3 / 4 / 5 / 6 / 8 / 10 / 15 / 20 / 25 / 30 / 40 / 45 / 50	130	30	106	22	15	450	M6
60 / 100 / 150 / 200 / 250	130	50	106	22	25	450	M8

Nennlast in lbs	Abmessungen in inch						
	A	B	C	D	E	L	M
7 / 9 / 11 / 13 / 18 / 22 / 33 / 44 / 55 / 66 / 88 / 99 / 110	5,12	1,18	4,17	0,87	0,6	17,72	M6
132 / 221 / 331 / 441 / 551	5,12	1,97	4,17	0,87	0,98	17,72	M8

## 9. Technische Daten

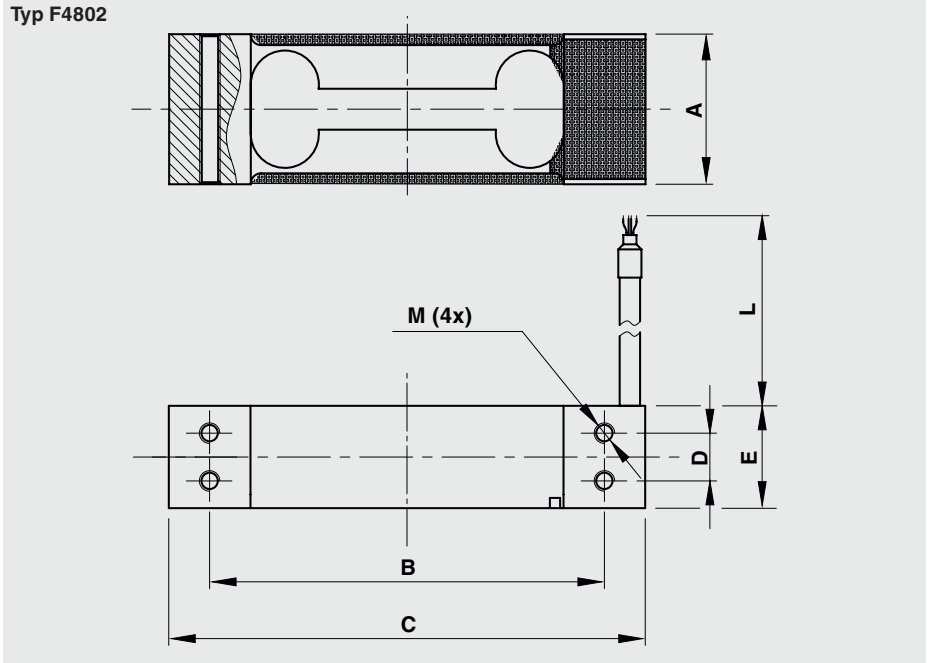
### Typ F4802

Nennlast $F_{nom}$ kg	0,3	0,5	1	1,5	2	3	4	5	10
Nennlast $F_{nom}$ lbs	0,7	1,1	2,2	3,3	4,4	7	9	11	22
Relative Linearitätsabweichung $d_{lin}^{1)}$	$\pm 0,02\% F_{nom}$								
Relatives Kriechen, 30 min,	$\pm 0,02\% F_{nom}$								
Relative Umkehrspanne $v$	$\pm 0,02\% F_{nom}$								
Relative Abweichung des Nullsignals $d_{S,0}$	$\pm 2\% F_{nom}$								
Temperatureinfluss auf das Nullsignal $TK_0$	$\leq \pm 0,02\% / 10\text{ K}$								
Temperatureinfluss auf den Kennwert $TK_C$	$\leq \pm 0,02\% / 10\text{ K}$								
Grenzkraft $F_L$	150% $F_{nom}$								
Bruchkraft $F_B$	200% $F_{nom}$								
Werkstoff des Messkörpers	Aluminium								
Nenntemperaturbereich $B_{T, nom}$	-10 ... +40 °C [+14 ... +104 °F]								
Gebrauchstemperaturbereich $B_{T, G}$	-20 ... +60 °C [-4 ... +140 °F]								
Eingangswiderstand $R_e$	410 $\pm$ 10 $\Omega$								
Ausgangswiderstand $R_a$	350 $\pm$ 5 $\Omega$								
Isolationswiderstand $R_{is}$	$\geq 2.000\text{ M}\Omega / \text{DC } 100\text{ V}$								
Ausgangssignal (Nennkennwert) $C_{nom}$	2,0 $\pm$ 0,2 mV/V								
Elektrischer Anschluss	Messkabel $\varnothing 3 \times 450\text{ mm}$ [ $\varnothing 0,12 \times 17,72\text{ in}$ ]								
Versorgungsspannung $U_{B, nom}$	DC 10 V (max. 15 V)								
Schutzart (nach IEC/EN 60529)	IP65								
Plattformgröße	200 x 200 mm [7,87 x 7,87 in]								
Gewicht	0,1 kg [0,22 lbs]								

1) Relative Linearitätsabweichung ist nach Richtlinie VDI/VDE/DKD 2638 Kap. 3.2.6 angegeben

DE

## Abmessungen in mm [in]



Abmessungen in mm						
A	B	C	D	E	L	M
20	58	70	7	15	450	M3

Abmessungen in inch						
A	B	C	D	E	L	M
0,79	2,28	2,75	0,27	0,6	17,72	M3

## 9. Technische Daten

Typ F4818	
Nennlast $F_{nom}$ kg	20; 30; 50; 60; 100; 150; 200; 250; 300; 350; 500
Nennlast $F_{nom}$ lbs	44; 66; 110; 132; 221; 331; 441; 551; 661; 772; 1.102
Relative Linearitätsabweichung $d_{lin}^{1)}$	$\pm 0,02 \% F_{nom}$
Relatives Kriechen, 30 min,	$\pm 0,02 \% F_{nom}$
Relative Umkehrspanne $v$	$\pm 0,02 \% F_{nom}$
Relative Abweichung des Nullsignals $d_{s, 0}$	$\pm 2 \% F_{nom}$
Temperatureinfluss auf das Nullsignal $TK_0$	$\leq \pm 0,025 \% / 10 K$
Temperatureinfluss auf den Kennwert $TK_C$	$\leq \pm 0,025 \% / 10 K$
Grenzkraft $F_L$	120 % $F_{nom}$
Bruchkraft $F_B$	200 % $F_{nom}$
Werkstoff des Messkörpers	Aluminium
Nenntemperaturbereich $B_{T, nom}$	-10 ... +40 °C [+14 ... +104 °F]
Gebrauchstemperaturbereich $B_{T, G}$	-20 ... +60 °C [-4 ... +140 °F]
Eingangswiderstand $R_e$	410 $\pm$ 10 $\Omega$
Ausgangswiderstand $R_a$	350 $\pm$ 5 $\Omega$
Isolationswiderstand $R_{is}$	$\geq 2.000 M\Omega / DC 100 V$
Ausgangssignal (Nennkennwert) $C_{nom}$	2,0 $\pm$ 0,2 mV/V
Elektrischer Anschluss	Messkabel $\varnothing 5 \times 1.500$ mm [ $\varnothing 0,2 \times 59$ in]
Versorgungsspannung $U_{B, nom}$	DC 10 V (max. 15 V)
Schutzart (nach IEC/EN 60529)	IP65
Plattformgröße	450 x 450 mm [17,72 x 17,72 in]
Gewicht	0,6 kg [1,3 lbs]

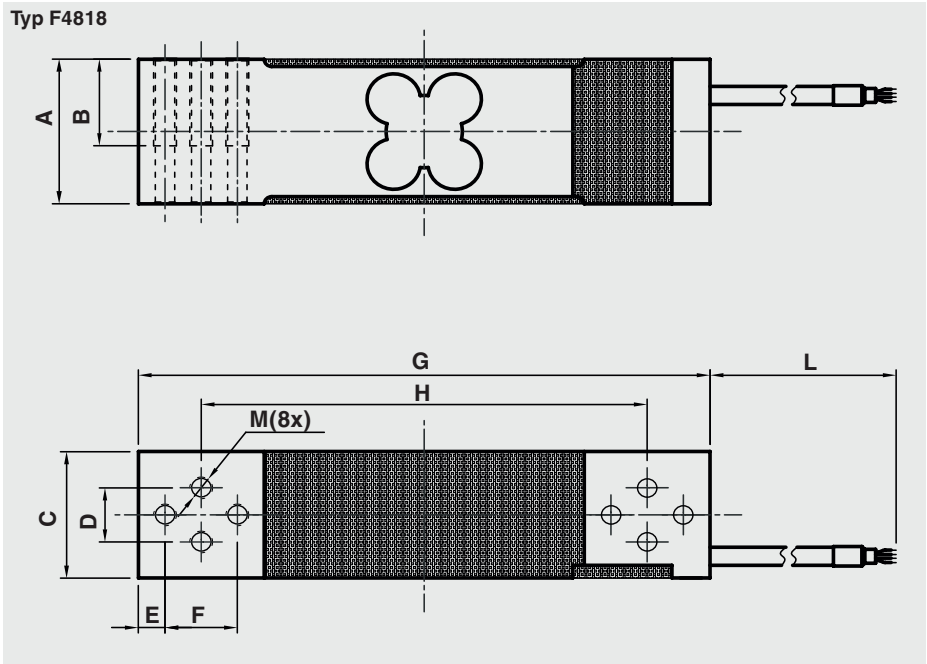
1) Relative Linearitätsabweichung ist nach Richtlinie VDI/VDE/DKD 2638 Kap. 3.2.6 angegeben

DE

14599906 05/2023 EN/DE

## Abmessungen in mm [in]

Typ F4818



DE

### Abmessungen in mm

A	B	C	D	E	F	G	H	L	M
40	24	35	15	7	19	150	117	1.500	M6

### Abmessungen in mm [in]

A	B	C	D	E	F	G	H	L	M
1,57	0,94	1,38	0,6	0,27	0,75	5,9	4,61	59	M6

## 9. Technische Daten

### Typ F4881

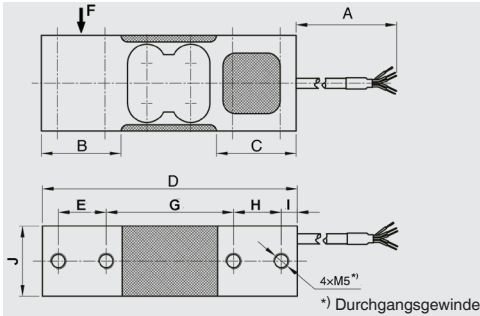
Nennkraft $F_{nom,kg}$	2	3	5	8	15	30
Nennkraft $F_{nom,lbs}$	4	7	11	18	33	66
Relative Linearitätsabweichung $d_{lin}^{1)}$	$\pm 0,02 \% F_{nom}$					
Relatives Kriechen, 30 min.	$\pm 0,02 \% F_{nom}$					
Relative Umkehrspanne $v$	$\pm 0,02 \% F_{nom}$					
Relative Abweichung des Nullsignals $d_{S,0}$	$\pm 5 \% F_{nom}$					
Temperatureinfluss auf das Nullsignal $TC_0$	$\leq \pm 0,014 \% / 10 K$					
Temperatureinfluss auf den Kennwert $TC_C$	$\leq \pm 0,02 \% / 10 K$					
Grenzkraft $F_L$	150 % $F_{nom}$					
Bruchkraft $F_B$	200 % $F_{nom}$					
Material des Messkörpers	Aluminium					
Nenntemperaturbereich $B_{T, nom}$	-10 ... +40 °C [14 ... 104 °F]					
Gebrauchstemperaturbereich $B_{T, G}$	-20 ... +65 °C [-4 ... 149 °F]					
Eingangswiderstand $R_e$	410 $\pm$ 10 $\Omega$					
Ausgangswiderstand $R_a$	350 $\pm$ 5 $\Omega$					
Isolationswiderstand $R_{is}$	$\geq 5.000 M\Omega / DC 100 V$					
Ausgangssignal (Nennkennwert) $C_{nom}$	2,0 $\pm$ 0,2 mV/V					
<b>Elektrischer Anschluss</b>						
Bauform A: 2 kg; 3 kg; 5 kg; 8 kg [4,4 lbs; 6,6 lbs; 11 lbs; 17,6 lbs]	Messkabel $\varnothing$ 3 x 250 mm [ $\varnothing$ 0,13 x 9,84 in]					
Bauform B: 5 kg; 8 kg [11 lbs; 17,6 lbs]	Messkabel $\varnothing$ 3 x 360 mm [ $\varnothing$ 0,13 x 14,17 in]					
Bauform B: 30 kg [66 lbs]	Messkabel $\varnothing$ 3 x 2.000 mm [ $\varnothing$ 0,13 x 78,74 in]					
Bauform C: 15 kg [33 lbs]	Messkabel $\varnothing$ 3 x 250 mm [ $\varnothing$ 0,13 x 9,84 in]					
Bauform C: 30 kg [66 lbs]	Messkabel $\varnothing$ 3 x 250 mm [ $\varnothing$ 0,13 x 9,84 in]					
Versorgungsspannung $U_{B, nom}$	DC 5 ... 10 V (max. 15 V)					
Schutzart (nach IEC/EN 60529)	IP67					
Plattformgröße	Bauform A: 300 x 300 mm [11,81 x 11,81 in]					
	Bauform B: 350 x 350 mm [13,78 x 13,78 in]					
	Bauform C: 300 x 300 mm [11,81 x 11,81 in]					
Gewicht	0,2 kg [0,44 lbs]					

1) Relative Linearitätsabweichung ist nach Richtlinie VDI/VDE/DKD 2638 Kap. 3.2.6 angegeben



## Abmessungen in mm [in]

### Typ F4881, Bauform A



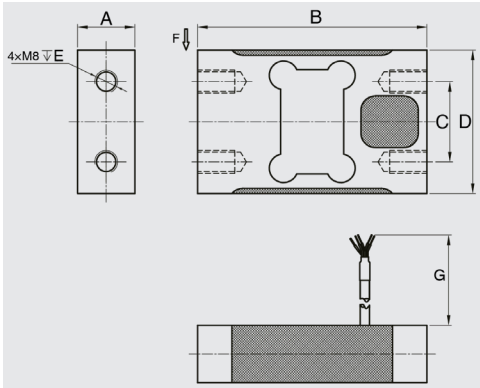
#### Abmessungen in mm

A	B	C	D	E	G	H	I	J
250	25	25	80	15	40	15	5	22

#### Abmessungen in inch

A	B	C	D	E	G	H	I	J
9,84	0,98	0,98	3,15	0,6	1,58	0,6	0,2	0,87

### Typ F4881, Bauform B



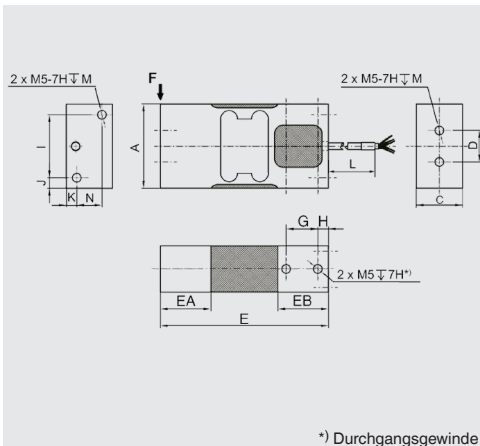
#### Nennlast in kg

Nennlast in kg	Abmessungen in mm					
	A	B	C	D	E	G
5	20	80	28	50	13	13
8	20	80	28	50	13	360
30	20	80	28	50	13	2.000

#### Nennlast in lbs

Nennlast in lbs	Abmessungen in inch					
	A	B	C	D	E	G
11,02	0,79	3,15	1,10	1,97	0,51	0,51;
17,64	0,79	3,15	1,10	1,97	0,51	14,17
66	0,79	3,15	1,10	1,97	0,51	78,74

### Typ F4881, Bauform C



#### Abmessungen in mm

A	C	D	E	EA	EB	G
40	22	15	80	24	24	15

#### Abmessungen in mm

H	I	J	K	L	M	N
5	30	5	5	250	15	12

#### Abmessungen in inch

A	C	D	E	EA	EB	G
1,57	0,87	0,6	3,15	0,95	0,95	0,6

#### Abmessungen in inch

H	I	J	K	L	M	N
0,2	1,18	0,2	0,2	9,84	0,6	0,47

## 9. Technische Daten

### Typ F4882

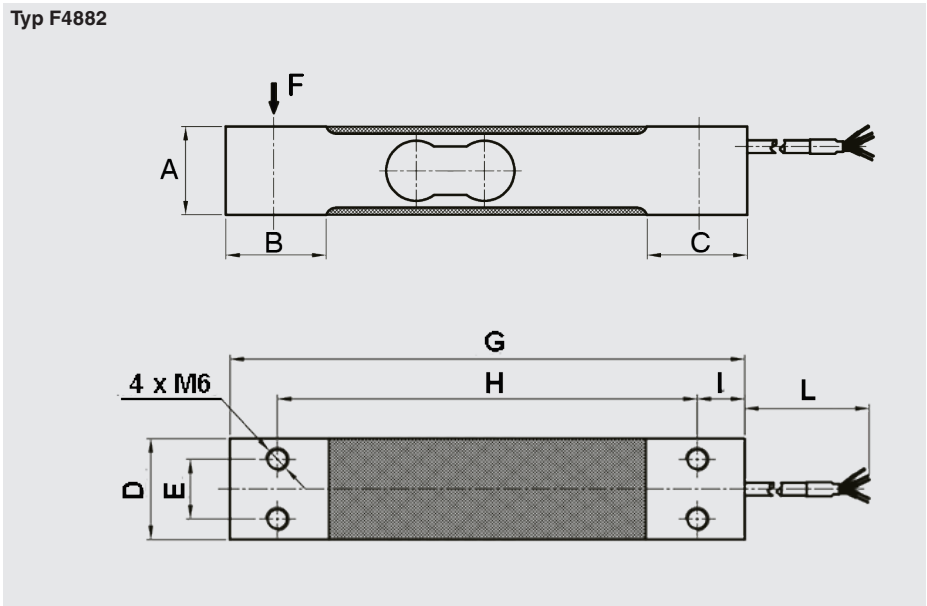
Nennkraft $F_{nom}$ kg	3	5	7	10	15	20	30	40
Nennkraft $F_{nom}$ lbs	7	11	15	22	33	44	66	88
Relative Linearitätsabweichung $d_{lin}$ 1)	$\pm 0,02 \% F_{nom}$							
Relatives Kriechen, 30 min.	$\pm 0,02 \% F_{nom}$							
Relative Umkehrspanne $v$	$\pm 0,02 \% F_{nom}$							
Relative Abweichung des Nullsignals $d_{S,0}$	$\pm 5 \% F_{nom}$							
Temperatureinfluss auf das Nullsignal $TK_0$	$\leq \pm 0,014 \% / 10 K$							
Temperatureinfluss auf den Kennwert $TK_C$	$\leq \pm 0,02 \% / 10 K$							
Grenzkraft $F_L$	150 % $F_{nom}$							
Bruchkraft $F_B$	200 % $F_{nom}$							
Material des Messkörpers	Aluminium							
Nenntemperaturbereich $B_{T,nom}$	-10 ... +40 °C [14 ... 104 °F]							
Gebrauchstemperaturbereich $B_{T,G}$	-20 ... +60 °C [-4 ... 149 °F]							
Eingangswiderstand $R_e$	410 $\pm$ 10 $\Omega$							
Ausgangswiderstand $R_a$	350 $\pm$ 5 $\Omega$							
Isolationswiderstand $R_{is}$	$\geq 5.000 M\Omega / DC 100 V$							
Ausgangssignal (Nennkennwert) $C_{nom}$	2,0 $\pm$ 0,2 mV/V							
Elektrischer Anschluss	Messkabel $\varnothing 4 \times 400$ mm [ $\varnothing 0,16 \times 15,75$ in]							
Versorgungsspannung $U_{B,nom}$	DC 5 ... 10 V (max. 15 V)							
Schutzart (nach IEC/EN 60529)	IP67							
Plattformgröße	300 x 300 mm [11,81 x 11,81 in]							
Gewicht	0,25 kg [0,55 lbs]							

1) Relative Linearitätsabweichung ist nach Richtlinie VDI/VDE/DKD 2638 Kap. 3.2.6 angegeben

DE

## Abmessungen in mm [in]

Typ F4882



DE

### Abmessungen in mm

A	B	C	D	E	G	H	I	J
22	25	25	25,4	15	130	106	12	400 ±20

### Abmessungen in inch

A	B	C	D	E	G	H	I	J
0,87	0,98	0,98	1	0,6	5,12	4,17	0,47	15,75 ±0,79

## 9. Technische Daten

### Typ F4883

Nennlast $F_{nom}$ kg	8	15	20	50	100	200	300
Nennlast $F_{nom}$ lbs	18	33	44	110	220	441	661
Relative Linearitätsabweichung $d_{lin}^{1)}$	$\pm 0,02 \% F_{nom}$						
Relatives Kriechen, 30 min.	$\pm 0,02 \% F_{nom}$						
Relative Umkehrspanne $v$	$\pm 0,02 \% F_{nom}$						
Relative Abweichung des Nullsignals $d_{S, 0}$	$\pm 5 \% F_{nom}$						
Temperatureinfluss auf das Nullsignal $TK_0$	$\leq \pm 0,014 \% / 10 K$						
Temperatureinfluss auf den Kennwert $TK_C$	$\leq \pm 0,02 \% / 10 K$						
Grenzkraft $F_L$	150 % $F_{nom}$						
Bruchkraft $F_B$	200 % $F_{nom}$						
Werkstoff des Messkörpers	Aluminium						
Nenntemperaturbereich $B_{T, nom}$	-10 ... +40 °C [14 ... 104 °F]						
Gebrauchstemperaturbereich $B_{T, G}$	-20 ... +60 °C [-4 ... 149 °F]						
Eingangswiderstand $R_e$	410 $\pm$ 10 $\Omega$						
Ausgangswiderstand $R_a$	350 $\pm$ 5 $\Omega$						
Isolationswiderstand $R_{is}$	$\geq 5.000 M\Omega / DC 100 V$						
Ausgangssignal (Nennkennwert) $C_{nom}$	2,0 $\pm$ 0,2 mV/V						
Elektrischer Anschluss	Messkabel $\varnothing 5 \times 3.000$ mm [ $\varnothing 0,2 \times 118$ in]						
Versorgungsspannung $U_{B, nom}$	DC 5 ... 10 V (max. 15 V)						
Schutzart (nach IEC/EN 60529)	IP66						
Plattformgröße	600 x 500 mm [23,62 x 19,69 in]						
Gewicht	0,6 kg [1,3 lbs]						

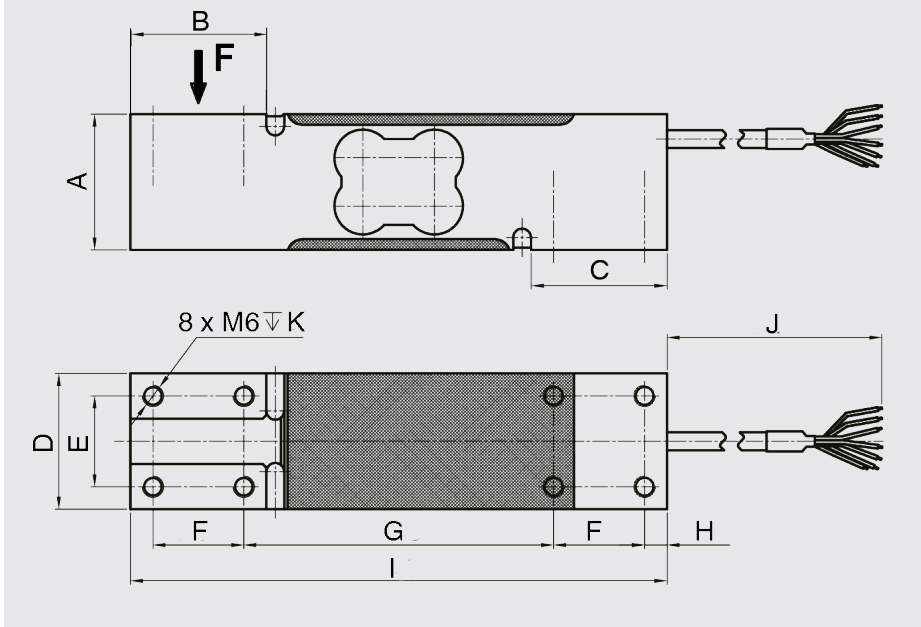
1) Relative Linearitätsabweichung ist nach Richtlinie VDI/VDE/DKD 2638 Kap. 3.2.6 angegeben

DE

14599906 05/2023 EN/DE

## Abmessungen in mm [in]

Typ F4883



DE

### Abmessung in mm

A	B	C	D	E	F	G	H	I	J	K
38	38	38	38	25,4	25,4	86,6	6,3	150	3.000 ±100	12

### Abmessung in inch

A	B	C	D	E	F	G	H	I	J	K
1,5	1,5	1,5	1,5	1	1	3,41	0,25	5,91	118 ±3,94	0,47

## 9. Technische Daten

### Typ F4884

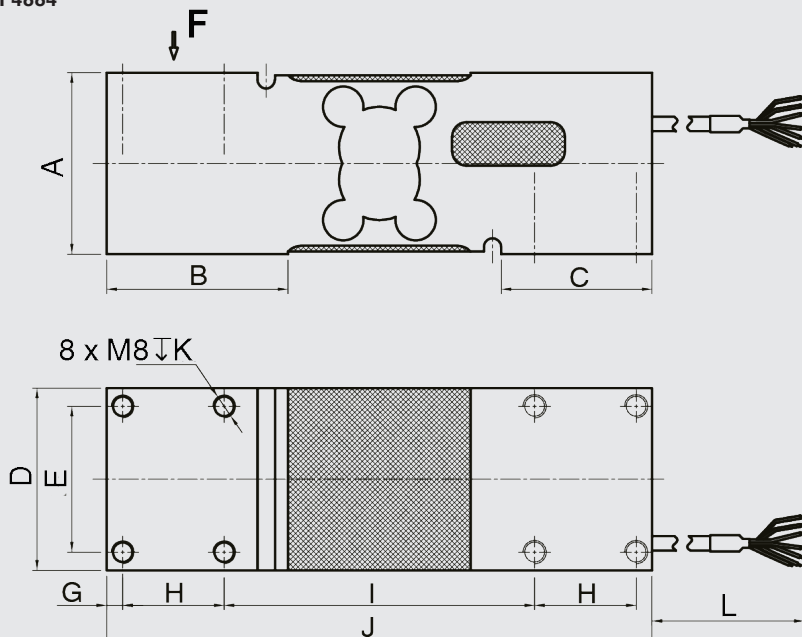
Nennlast $F_{nom}$ kg	50	75	100	150	200	250	300	500	635
Nennlast $F_{nom}$ lbs	110	165	220	331	441	551	661	1.102	1.400
Relative Linearitätsabweichung $d_{lin}^{1)}$	$\pm 0,02 \% F_{nom}$								
Relatives Kriechen, 30 min.	$\pm 0,02 \% F_{nom}$								
Relative Umkehrspanne $v$	$\pm 0,02 \% F_{nom}$								
Relative Abweichung des Nullsignals $d_{S, 0}$	$\pm 5 \% F_{nom}$								
Temperatureinfluss auf das Nullsignal $TK_0$	$\leq \pm 0,02 \% / 10 K$								
Temperatureinfluss auf den Kennwert $TK_C$	$\leq \pm 0,02 \% / 10 K$								
Grenzkraft $F_L$	150 % $F_{nom}$								
Bruchkraft $F_B$	200 % $F_{nom}$								
Werkstoff des Messkörpers	Aluminium								
Nenntemperaturbereich $B_{T, nom}$	-10 ... +40 °C [14 ... 104 °F]								
Gebrauchstemperaturbereich $B_{T, G}$	-20 ... +65 °C [-4 ... 149 °F]								
Eingangswiderstand $R_e$	410 $\pm$ 20 $\Omega$								
Ausgangswiderstand $R_a$	350 $\pm$ 5 $\Omega$								
Isolationswiderstand $R_{is}$	$\geq 5.000 M\Omega / DC 100 V$								
Ausgangssignal (Nennkennwert) $C_{nom}$	2,0 $\pm$ 0,2 mV/V								
Elektrischer Anschluss	Messkabel $\varnothing 5 \times 2.000$ mm [ $\varnothing 0,2 \times 78,74$ in]								
Versorgungsspannung $U_{B, nom}$	DC 5 ... 10 V (max. 15 V)								
Schutzart (nach IEC/EN 60529)	IP67								
Plattformgröße	600 x 600 mm [23,62 x 23,62 in]								
Gewicht	2 kg [4,4 lbs]								

1) Relative Linearitätsabweichung ist nach Richtlinie VDI/VDE/DKD 2638 Kap. 3.2.6 angegeben

DE

## Abmessungen in mm [in]

Typ F4884



DE

### Abmessung in mm

A	B	C	D	E	G	H	I	J	K	L
62,3	62,5	52	62,5	50	5,5	35	107	188	20	2.000 ±100

### Abmessung in inch

A	B	C	D	E	G	H	I	J	K	L
2,45	2,46	2,05	2,46	1,97	0,22	1,38	4,21	7,4	0,79	78,74 ±3,94

## 9. Technische Daten

### Typ F4885

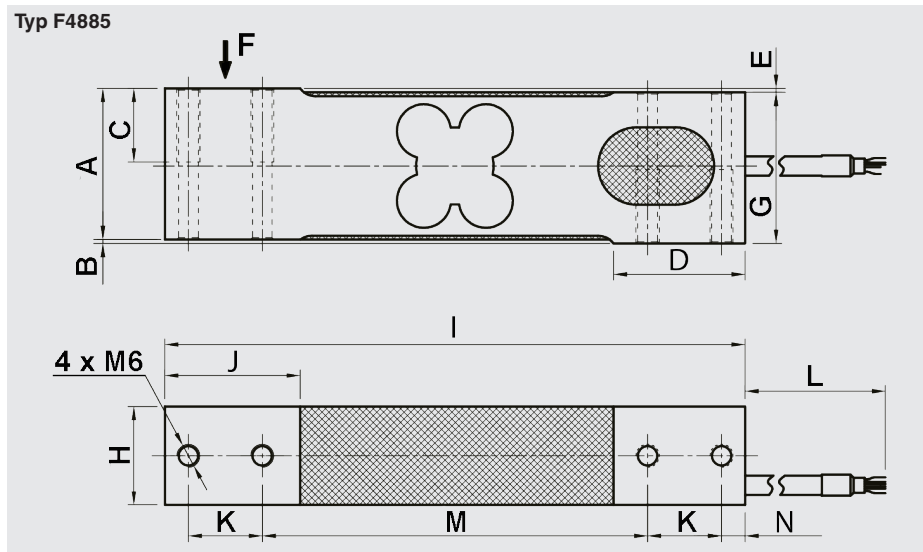
<b>Nennlast <math>F_{nom}</math> kg</b>	1	3	5	7	10	15	20	50	75	100	150	200
<b>Nennlast <math>F_{nom}</math> lbs</b>	2	6	11	15	22	33	44	110	165	220	330	440
<b>Relative Linearitätsabweichung <math>d_{lin}</math> <sup>1)</sup></b>	±0,02 % $F_{nom}$											
<b>Relatives Kriechen, 30 min.</b>	±0,02 % $F_{nom}$											
<b>Relative Umkehrspanne <math>v</math></b>	±0,02 % $F_{nom}$											
<b>Relative Abweichung des Nullsignals <math>d_{s, 0}</math></b>	±5 % $F_{nom}$											
<b>Temperatureinfluss auf das Nullsignal <math>TK_0</math></b>	≤ ±0,014 %/10 K											
<b>Temperatureinfluss auf den Kennwert <math>TK_C</math></b>	≤ ±0,02 %/10 K											
<b>Grenzkraft <math>F_L</math></b>	150 % $F_{nom}$											
<b>Bruchkraft <math>F_B</math></b>	300 % $F_{nom}$											
<b>Werkstoff des Messkörpers</b>	Aluminium											
<b>Nenntemperaturbereich <math>B_{T, nom}</math></b>	-10 ... +40 °C [14 ... 104 °F]											
<b>Gebrauchstemperaturbereich <math>B_{T, G}</math></b>	-20 ... +65 °C [-4 ... 149 °F]											
<b>Eingangswiderstand <math>R_e</math></b>	410 ± 20 Ω											
<b>Ausgangswiderstand <math>R_a</math></b>	350 ± 5 Ω											
<b>Isolationswiderstand <math>R_{is}</math></b>	≥ 2.000 MΩ/DC 100 V											
<b>Ausgangssignal (Nennkennwert) <math>C_{nom}</math></b>	2,0 ±0,2 mV/V											
<b>Elektrischer Anschluss</b>	Messkabel Ø 5 x 3.000 mm [Ø 0,2 x 118 in]											
<b>Versorgungsspannung <math>U_{B, nom}</math></b>	DC 5 ... 10 V (max. 15 V)											
<b>Schutzart (nach IEC/EN 60529)</b>	IP67											
<b>Plattformgröße</b>	450 x 450 mm [17,72 x 17,72 in]											
<b>Gewicht</b>	0,5 kg [1,1 lbs]											

1) Relative Linearitätsabweichung ist nach Richtlinie VDI/VDE/DKD 2638 Kap. 3.2.6 angegeben

DE



## Abmessungen in mm [in]



Abmessungen in mm [in]												
A	B	C	D	E	G	H	I	J	K	L	M	N
39	1	19	34	1	39	25,4	150	35	19,1	3.000 ±150	99,6	6,1

Abmessungen in inch												
A	B	C	D	E	G	H	I	J	K	L	M	N
1,54	0,04	0,35	1,34	0,04	1,54	1	5,91	1,38	0,752	118 ±5,91	3,92	0,24

### 9.1 Zulassungen

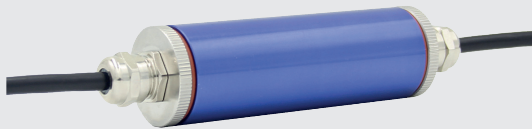
Logo	Beschreibung	Region
	EU-Konformitätserklärung RoHS-Richtlinie	Europäische Union
	UKCA RoHS-Richtlinie	Vereinigtes Königreich

### Optionale Zulassungen

Logo	Beschreibung	Region
	EAC	Eurasische Wirtschaftsgemeinschaft

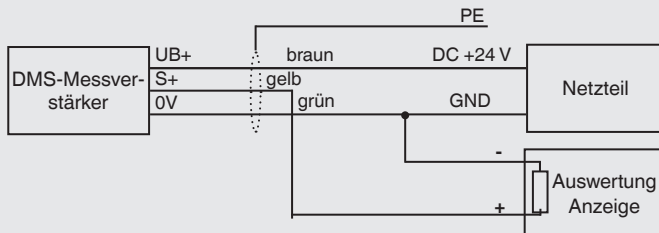
## 10. Zubehör

### 10.1 Kabelmessverstärker, Typ B1940



DE

#### Anschlussbelegung mit Kabelmessverstärker



Weitere technische Details zu unserem Kabelverstärker entnehmen Sie bitte dem Datenblatt AC 50.09.

### 10.2 Multifunktionsanzeige für Analogsignale, Typ E1931

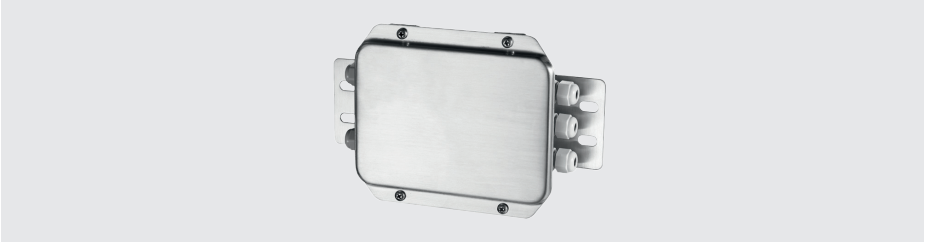


### 10.3 DMS-Wägeelektronik, Typ E1932



Weitere technische Details zu Elektroniken entnehmen Sie bitte jeweils den Datenblättern FO 58.06 für den Typ E1931 und FO 58.07 für den Typ E1932.

### 10.4 Anschlusskasten, Typ B6578



DE

Weitere technische Details zu unserem Anschlusskasten entnehmen Sie bitte dem Datenblatt FO 58.02.

Weitere WIKA-Zubehör finden Sie online unter [www.wika.de](http://www.wika.de).



## EU-Konformitätserklärung EU Declaration of Conformity

DE

Dokument Nr. 14590439  
Document No.

Revision 1  
Issue

Wir erklären in alleiniger Verantwortung, dass die mit CE gekennzeichneten Produkte  
We declare under our sole responsibility that the CE marked products

**Typenbezeichnung** F4801, F4802, F4818, F4881, F4882, F4883, F4884, F4885  
**Type Designation**

**Beschreibung** Plattformwägezellen <sup>(1)</sup>  
**Description** Single point load cell <sup>(1)</sup>

gemäß gültigem Datenblatt FO53.01, FO53.13, FO53.14, FO53.16, FO53.17 FO53.18,  
according to the valid data sheet FO53.19 FO53.20

mit den nachfolgenden relevanten Harmonisierungsvorschriften der Union  
übereinstimmen  
are in conformity with the following relevant Union harmonisation legislation

Angewandte harmonisierte Normen:  
Applied harmonised standards:

2011/65/EU Gefährliche Stoffe (RoHS)  
Hazardous substances (RoHS)

EN IEC 63000:2018

(1) Alle Geräte mit passiven mV/V Ausgang ohne Messverstärker  
All devices with passive mV/V output without measuring amplifier

Unterzeichnet für und im Namen von / Signed for and on behalf of

**Bevollmächtigter / Authorised representative**

**tecsis GmbH**  
Offenbach, 2023-09-06

Michael Kirsch, QM Manager  
tecsis GmbH, CoE Force Measurement

**Hersteller / Manufacturer**

**WIKAI Alexander Wiegand SE & Co. KG**

Thomas Steinbacher; General Management  
tecsis GmbH, CoE Force Measurement

WIKAI Alexander Wiegand SE & Co. KG  
Alexander-Wiegand-Straße 30  
63911 Klingenberg  
Germany  
WEEE-Reg.-Nr. DE 92770372  
09/2022

Tel. +49 9372 132-0  
Fax +49 9372 132-406  
E-Mail info@wika.de  
www.wika.de

Kommanditgesellschaft, Sitz Klingenberg –  
Amtsgericht Aschaffenburg HRA 1819

Komplementärin:  
WIKAI International SE – Sitz Klingenberg –  
Amtsgericht Aschaffenburg HRB 10505  
Vorstand: Alexander Wiegand  
Vorsitzender des Aufsichtsrats: Prof. Dr. Roderich C. Thümmel  
22AR-04531



## UK Declaration of Conformity

Document No. 14590463

Issue 1

DE

We declare under our sole responsibility that the UKCA marked products

**Type Designation** F4801, F4802, F4818, F4881, F4882, F4883, F4884, F4885

**Description** Single point load cell <sup>(1)</sup>

according to the valid data sheet FO53.01, FO53.13, FO53.14, FO53.16, FO53.17 FO53.18, FO53.19 FO53.20

comply with the applicable UK Statutory Requirements

Applied designated standards <sup>(0)</sup>

The Restriction of the Use of Certain Hazardous Substances in Electrical and Electronic Equipment Regulations 2012 No. 3032 (as amended) EN IEC 63000:2018

- (0) At the time of writing this document designated standards are prefixed "BS", "EN", "EN ISO" or "EN IEC". Where the designated standard specified in the notice of publication is prefixed "EN" it is acceptable to reference this version in technical documentation, or a version of the same standard with a national prefix. For more information see <https://www.gov.uk/guidance/designated-standards>.
- (1) All devices with passive mV/V output without measuring amplifier.

Signed for and on behalf of

**Authorised representative**

**tecsis GmbH**

Offenbach, 2023-09-06

Michael Kirsch, QM Manager  
tec sis GmbH, CoE Force Measurement

**Manufacturer**

**WIKAL Alexander Wiegand SE & Co. KG**

Thomas Steinbacher; General Management  
tec sis GmbH, CoE Force Measurement

WIKAL Alexander Wiegand SE & Co. KG  
Alexander-Wiegand-Straße 30  
63911 Klingenberg  
Germany  
WEEE-Reg.-Nr. DE 92770372  
09/2022

Tel. +49 9372 132-0  
Fax +49 9372 132-406  
E-Mail [info@wika.de](mailto:info@wika.de)  
[www.wika.de](http://www.wika.de)

Kommanditgesellschaft; Sitz Klingenberg –  
Amtsgericht Aschaffenburg HRA 1819

Komplementärin:  
WIKAL International SE - Sitz Klingenberg -  
Amtsgericht Aschaffenburg HRB 10505  
Vorstand: Alexander Wiegand  
Vorstandender des Aufsichtsrats: Prof. Dr. Roderich C. Thümmel  
22AR-04531

WIKA subsidiaries worldwide can be found online at [www.wika.com](http://www.wika.com)  
WIKA-Niederlassungen weltweit finden Sie online unter [www.wika.de](http://www.wika.de)



**Importer for UK**  
**WIKA Instruments Ltd**  
Unit 6 and 7 Goya Business park  
The Moor Road  
Sevenoaks  
Kent  
TN14 5GY



**WIKA Alexander Wiegand SE & Co. KG**  
Alexander-Wiegand-Straße 30  
63911 Klingenberg • Germany  
Tel. +49 9372 132-0  
[info@wika.de](mailto:info@wika.de)  
[www.wika.de](http://www.wika.de)