

Automatic Swing Door



Automatic Double Swing Door



Automatic Swing Door

Features :

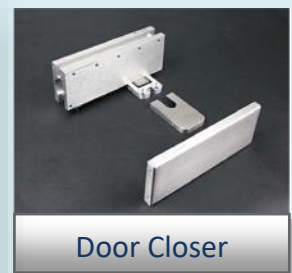
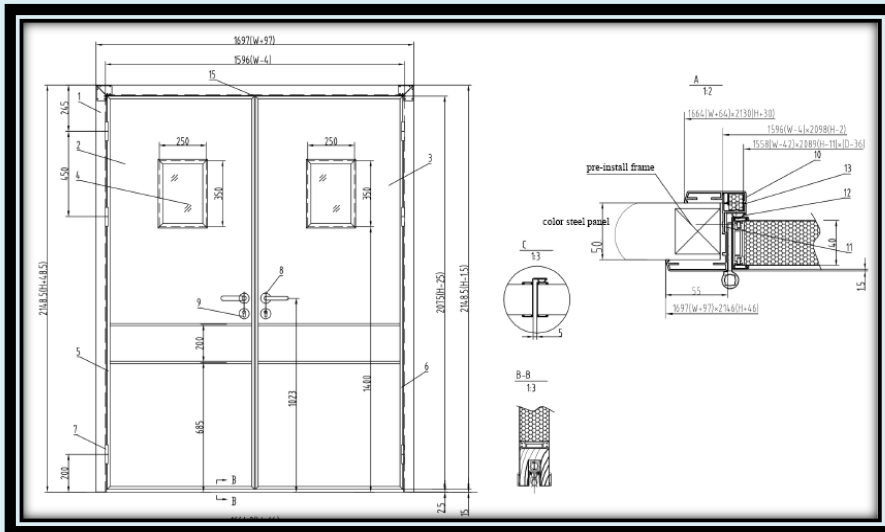
- High quality extruded board filling, surface material not galvanized steel plate spraying, with enough bending strength
- The light weight, noise-proof, rust-proof, insulated and never deformed aluminum alloy doors are made of molded aluminum interlayer enforced with electrostatic powder print on front and rear door panels.
- Standard configuration: 2 Blu-ray non-contact switches, 1 microwave sensor and 1 set of electronic anti-collision safety eye
- Options: Swing door (single direction), Swing door (double direction), Double swing door (single direction) , Double swing door (double direction).



Automatic Swing Door

Specification

| Automatic Double Swing Door (single direction) | | Model: HP-OR-SD | |
|--|--------------|-----------------------|----------|
| Rate Voltage (V) | AC220V ± 10% | Motor | Anni |
| Rated power | 0.2KW | Hand control sensor | 2 |
| Standard size | 1500x2100mm | Foot control sensor | Optional |
| Window size | 250x300mm | Knee control sensor | Optional |
| Operating maximum noise DB(A) | ≤60 | Door bell | 1 |
| Printing | EJ353C | Access control system | 1 |
| Opening speed | 0.3m/s | Control Box | 1 |





Automatic Swing Door

Specification

| Automatic Single Swing Door (single direction) | | Model: HP-OR-SD | |
|--|--------------|-----------------------|----------|
| Rate Voltage (V) | AC220V ± 10% | Motor | Anni |
| Rated power | 0.2KW | Hand control sensor | 2 |
| Standard size | 1000x2100mm | Foot control sensor | Optional |
| Window size | 250x300mm | Knee control sensor | Optional |
| Operating maximum noise DB(A) | ≤60 | Door bell | 1 |
| Printing | EJ353C | Access control system | 1 |
| Opening speed | 0.3m/s | Control Box | 1 |



Hand Control Sensor



Door Lock



Door Closer



Handle

