

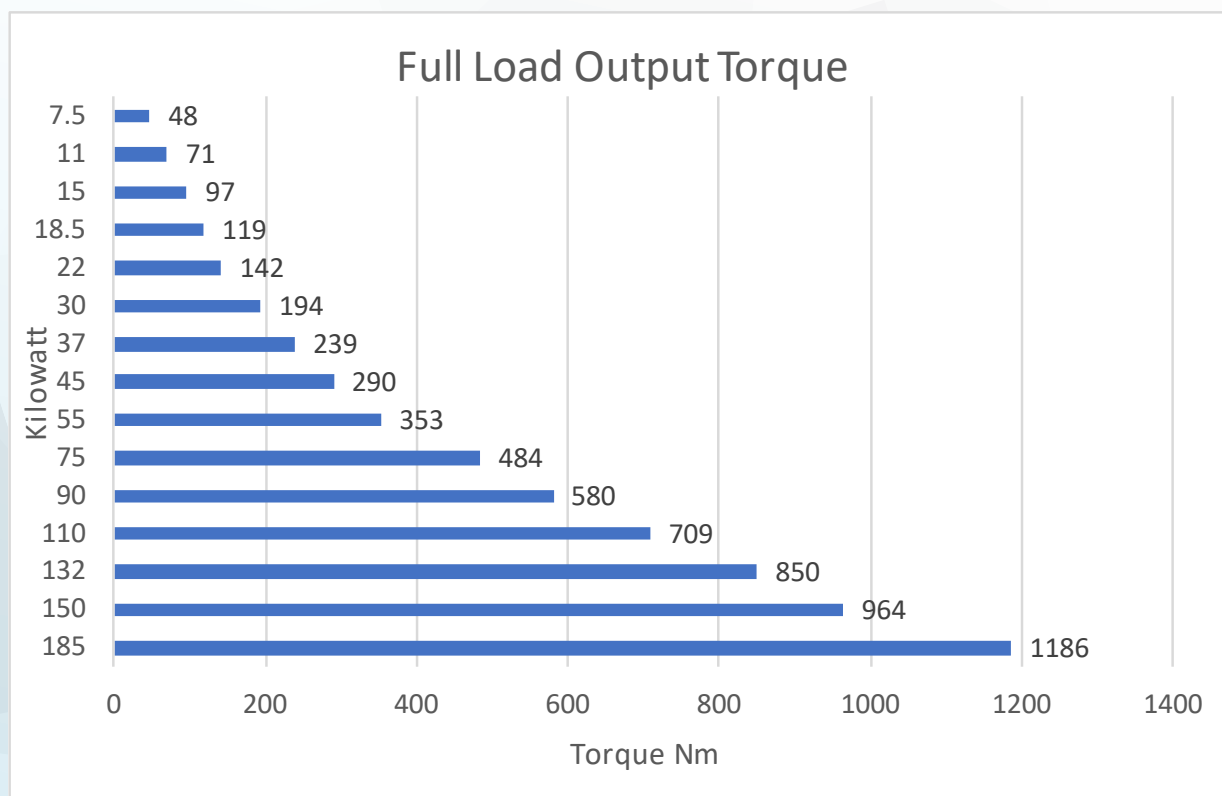
MaxE3 High Efficiency Motors

MAXE3 HIGH EFFICIENCY MOTOR

The MaxE3 High Efficiency Motor gives Reliable and efficient operation for even the harshest environments with the precision and rugged cast iron construction, Class F insulation IP66 protection ensure quality that will last.

Equipped with features and performance these motors provide the best payback periods and lowest total cost of ownership compared to others.

The through flush grease relief bearing System Gives Positive displacement of old grease and is designed for re-greasing during operation. The fitment of rotating Inner & Outer labyrinth seals achieves effective sealing from ingress of contamination. This is a true pressure grease relief system where grease enters the back of the bearing then is forced through to the front and is expelled through a large external discharge chute. This System will not allow over greasing to affect the performance of the bearing itself, which can cause premature failure. An Additional brass dust flinger is also fitted on frames D280 and Larger.



MaxE3 High Efficiency Motors

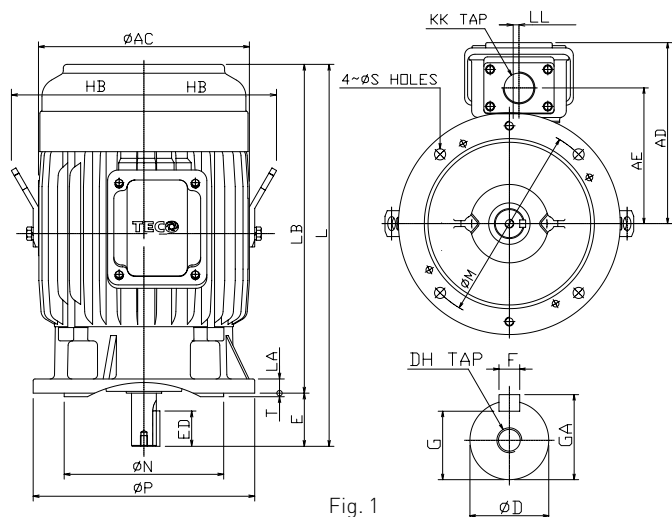


Fig. 1

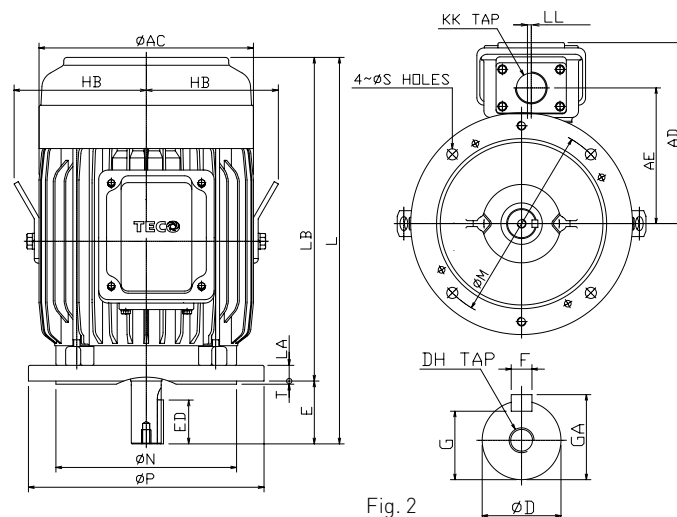


Fig. 2

Output (kW)				Frame Size	Fig No.	Dimensions (mm)									Flange		
2P	4P	6P	8P			AC	AD	AE	HB	KK	L	LA	LB	LL	M	N	P
0.18	0.18	-	-	63	1	144	123	93	-	M20XP1.5	248	12	225	0	115	95	140
0.37 / 0.55	0.37	0.18	-	71		162	133	103	-	M20XP1.5	278	12	248	17	130	110	160
0.75 / 1.1	0.55 / 0.75	0.37 / 0.55	0.18	80	2	177	179	130	-	M25XP1.5	282	12	242	15	165	130	200
1.5	1.1	0.75	0.37	90S		200	192	143	-	M25XP1.5	347	12	297	15	165	130	200
2.2	1.5	1.1	0.55	90L	1	200	192	143	-	M25XP1.5	372	12	322	15	165	130	200
3	2.2 / 3	1.5	0.75 / 1.1	100L		2	219	202	153	140	M25XP1.5	375	16	315	15	215	180
4	4	2.2	1.5	112M	1	235	211	162	150	M25XP1.5	431	16	371	15	215	180	250
5.5 / 7.5	5.5	3	2.2	132S		2	273	249	187	169	M40XP1.5	454	20	374	13	265	230
-	7.5	4 / 5.5	3	132M	273		249	187	169	M40XP1.5	492	20	412	13	265	230	300

Frame Size	Flange		Shaft Extension							Bearings	
	S	T	D	E	ED	F	G	GA	DH	DE	NDE
63	10	3	11	23	18	4	8.5	12.5	M4×8	6201ZZC3	6201ZZC3
71	10	3.5	14	30	24	5	11	16	M5×10	6202ZZC3	6202ZZC3
80	12	3.5	19	40	25	6	15.5	21.5	M6×12	6204ZZC3	6204ZZC3
90S	12	3.5	24	50	32	8	20	27	M8×16	6205ZZC3	6205ZZC3
90L	12	3.5	24	50	32	8	20	27	M8×16	6205ZZC3	6205ZZC3
100L	14.5	4	28	60	40	8	24	31	M10×20	6206ZZC3	6305ZZC3
112M	14.5	4	28	60	40	8	24	31	M10×20	6306ZZC3	6306ZZC3
132S	14.5	4	38	80	64	10	33	41	M12×24	6308ZZC3	6306ZZC3
132M	14.5	4	38	80	64	10	33	41	M12×24	6308ZZC3	6306ZZC3

MaxE3 High Efficiency Motors

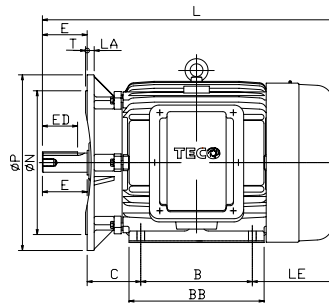
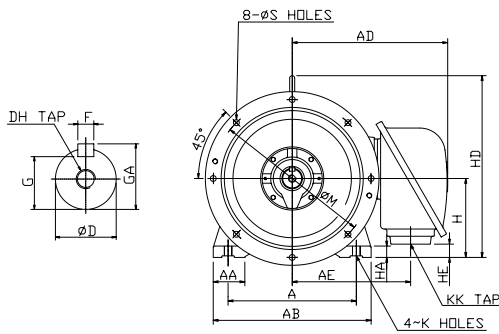


Fig. 4

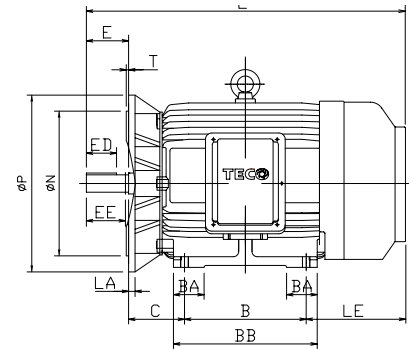


Fig. 5

Output (kW)				Frame Size	Fig. No.	Dimensions (mm)													
2P	4P	6P	8P			A	AA	AB	AD	AE	B	BB	C	H	HA	HD	HE	K	KK
-	37	-	18.5	225SC	4	356	90	450	386	330	286	350	149	225	30	524	57	19	M50 X 1.5
45	-	-	-	225MA	4	356	90	450	386	330	311	375	149	225	30	524	57	19	M50 X 1.5
-	45	30	22	225MC	4	356	90	450	386	330	311	375	149	225	30	524	57	19	M50 X 1.5
55	-	-	-	250SA	4	406	100	500	479	375	311	385	168	250	36	576	42	24	M63 X 1.5
-	55	37	30	250SC	4	406	100	500	479	375	311	385	168	250	36	576	42	24	M63 X 1.5
75	-	-	-	250MA	4	406	100	500	479	375	349	425	168	250	36	576	42	24	M63 X 1.5
-	75	45	37	250MC	4	406	100	500	479	375	349	425	168	250	36	576	42	24	M63 X 1.5
90	-	-	-	280SA	5	457	110	560	610	405	368	445	190	280	36	660	106	24	M63 X 1.5
-	90	55	45	280SC	5	457	110	560	610	405	368	445	190	280	36	660	106	24	M63 X 1.5
110	-	-	-	280MA	5	457	110	560	610	405	419	495	190	280	36	660	106	24	M63 X 1.5
-	110	75	55	280MC	5	457	110	560	610	405	419	495	190	280	36	660	106	24	M63 X 1.5
132	-	-	-	315SA	5	508	115	615	610	430	406	490	216	315	45	743	136	28	M63 X 1.5
-	132	90	75	315SC	5	508	115	615	610	430	406	490	216	315	45	743	136	28	M63 X 1.5
150 / 185	-	-	-	315MA	5	508	115	615	610	430	457	540	216	315	45	743	136	28	M63 X 1.5
-	150	110 / 132	90	315MC	5	508	115	615	610	430	457	540	216	315	45	743	136	28	M63 X 1.5
-	185	-	-	315MB	5	508	115	615	610	430	457	540	216	315	45	743	136	28	M63 X 1.5

Frame Size										Shaft Extension							Bearings	
	LA	LE	L	M	N	P	S	T	D	E	ED	EE	F	G	GA	DH	DE	NDE
225SC	22	241	816	400	350	450	19	5	60	140	110	-	18	53	64	M20 X 30	6313C3	6213C3
225MA	22	241	811	400	350	450	19	5	55	110	80	-	16	49	59	M20 X 30	6312C3	6212C3
225MC	22	241	841	400	350	450	19	5	60	140	110	-	18	53	64	M20 X 30	6313C3	6213C3
250SA	22	241	882	500	450	550	19	5	60	140	110	-	18	53	64	M20 X 30	6313C3	{6213C3} {6313C3*}
250SC	22	263	882	500	450	550	19	5	70	140	110	-	20	62.5	74.5	M20 X 30	NU316C3	6313C3
250MA	22	263	920	500	450	550	19	5	60	140	110	-	18	53	64	M20 X 30	6313C3	{6213C3} {6313C3*}
250MC	22	263	920	500	450	550	19	5	70	140	110	-	20	62.5	74.5	M20 X 30	NU316C3	6313C3
280SA	22	263	1042	500	450	550	19	5	65	140	110	134	18	58	69	M20 X 30	6314C3	6314C3
280SC	22	263	1042	500	450	550	19	5	80	170	140	157	22	71	85	M20 X 30	NU318C3	6318C3
280MA	22	344	1092	500	450	550	19	5	65	140	110	134	18	58	69	M20 X 30	6314C3	6314C3
280MC	22	344	1122	500	450	550	19	5	80	170	140	157	22	71	85	M20 X 30	NU318C3	6318C3
315SA	25	369	1131	600	550	660	24	6	65	140	110	134	18	58	69	M20 X 30	6314C3	6314C3
315SC	25	369	1161	600	550	660	24	6	85	170	140	157	22	76	90	M20 X 30	NU320C3	6318C3
315MA	25	369	1182	600	550	660	24	6	65	140	110	134	18	58	69	M20 X 30	6314C3	6314C3
315MC	25	369	1212	600	550	660	24	6	85	170	140	157	22	76	90	M20 X 30	NU320C3	6318C3
315MB	25	369	1042	600	550	660	24	6	85	140	140	157	22	76	90	M20 X 30	NU320C3	6318C3

MaxE3 High Efficiency Motors

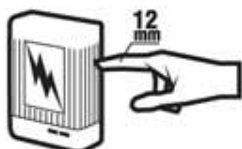
SOLIDS

1



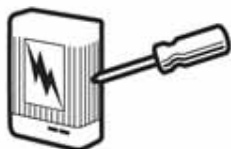
Protected against a solid object greater than 50 mm such as a hand.

2



Protected against a solid object greater than 12.5 mm such as a finger.

3



Protected against a solid object greater than 2.5 mm such as a screwdriver.

4



Protected against a solid object greater than 1 mm such as a wire.

5



Dust Protected. Limited ingress of dust permitted. Will not interfere with operation of the equipment. Two to eight hours.

6



Dust tight. No ingress of dust. Two to eight hours.

Rating Example:

IP65

INGRESS PROTECTION

WATER

1



Protected against vertically falling drops of water. Limited ingress permitted.

2



Protected against vertically falling drops of water with enclosure tilted up to 15 degrees from the vertical. Limited ingress permitted.

3



Protected against sprays of water up to 60 degrees from the vertical. Limited ingress permitted for three minutes.

4



Protected against water splashed from all directions. Limited ingress permitted.

5



Protected against jets of water. Limited ingress permitted.

6



Water from heavy seas or water projected in powerful jets shall not enter the enclosure in harmful quantities.

7



Protection against the effects of immersion in water between 15 cm and 1 m for 30 minutes.

8



Protection against the effects of immersion in water under pressure for long periods.