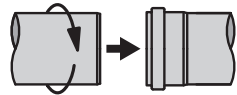




Partnering  
with ACO



Push to  
Join



High  
Temp  
Suitable



Hygienic  
Design

### Faster to Install

- Fast and reliable push-fit design.
- No welding, glueing, priming or electro-fusing required.
- Lightweight to carry and position onsite. Less dead weight to support.
- Pipe stays straight and doesn't distort from direct sun or heat.
- A wide range of fittings off-the-shelf, available in diameters **50 to 315mm**.

### Experience Counts

- We were the first to supply stainless drainage in Australia and New Zealand.
- We work with consultants and installers on specialised complex projects regularly.
- In-house design staff with local fabrication available for project requirements.

### Quality to Install

- Approved to WaterMark, Australian and international standards.
- Superior temperature tolerance.
- Designed specifically for hygiene, WaterMark and HACCP approved.

### Reliable Design

- Used by leading Australian food processors in demanding environments since 2002.
- With the strength and chemical resistance qualities of stainless steel.
- Pre-fitted double lip ring seal for trouble-free sealing.

### Environmental Choice

- Long service life.
- Closed loop material (completely recycled to make more stainless).

# Installation Guide

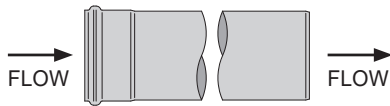
**Start to install stainless quicker...**  
AusPress Stainless Drainage is a socket & spigot design that joins together by pushing the fittings together easily & quickly.

Refer to the technical section for installation recommendations & more information.

**Start here**

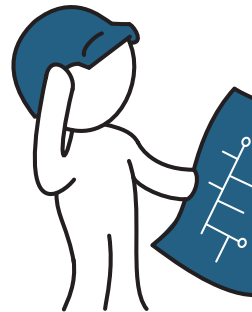
## Follow the flow rule...

AusPress Stainless Drainage is directional; the water flow must travel socket to spigot.



## Check for suitability...

Confirm the stainless steel and the ring seal (eg EPDM) are suitable for the application and situation. Some chemicals and environments can be unsuitable, please ask us if unsure.



## Ring Seal Colours

EPDM ring seals are supplied as standard unless ordered otherwise.

Colour	Material	Temperature*	
		Min	Max
Black	EPDM	-50°C	100°C
Green	FPM	-20°C	200°C

\* Maximum continuous temperatures.

For ring seal suitability with chemicals and other applications, please contact us for assessment.

**This guide is only for standard applications.**  
For specific or specialised applications please contact us first - [www.auspress.com.au](http://www.auspress.com.au)

## Ordering & Design

Stainless drainage pipe is available in different lengths (from 150mm to 6m) so choose the length closest to what is needed to reduce offcut waste.

## Cut Pipe to Length

Cutting stainless drainage to length is easy with an appropriate cutter that:

- Is fitted with 'inox' blades designed to cold cut stainless,
- Clamps the pipe in position,
- Cuts the pipe square (with or without a guide) and,
- Forms a bevel to the spigot end of the pipe.

Approved cutting tools are listed below for reference - if in doubt, please contact us for advice.

Pipes are supplied with a socket and a spigot end; cut off from the spigot end keeping the socket. Using offcut spigot-spigot pipe pieces is not recommended.

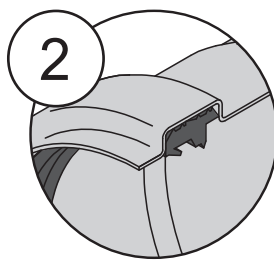
Note fittings are not to be cut.

1

Cutters are available for hire or purchase.

Diameter:		50	75	110	160	200	250	315
Blucher	006.050.110	✓	✓	✓				
	800.050.160	✓	✓	✓	✓			
	006.125.200				✓	✓		
	006.200.315					✓	✓	✓
Aco	419363	✓	✓	✓				
	419364	✓	✓	✓				
	400738			✓	✓			
	417228				✓	✓	✓	

Note: Using a guide or holder is recommended for diameters 160mm & larger.



## Inspect the Ring Seal

In the socket, check that the rubber ring seal is:

- The correct material specified (by colour) and,
- With the mitred edges facing outwards and,
- Not damaged and is free of debris.

3

## Lubricate the Ring Seal

Apply a small amount of joining lubricant to the ring seal inside the socket. We stock a silicon based lubricant.

Do not use oil or grease as a lubricant, this may damage the ring seal material.

4

## Push, Twist & Pull

Using a slight twisting movement, push the spigot fully into the socket.

Then, retract 5-10mm to allow for expansion & contraction to occur within each socket. Marking the full insertion depth is a good method to see the distance retracted.

### ■ Pipe Lengths Socket - Spigot

Material: 316 stainless steel, mill finish.  
Ring Seal: EPDM x1 fitted.

Supplied in stainless steel, items identified with a green label are grade 316L.

Each length of stainless drainage pipe is supplied with a socket (fitted with a rubber ring seal) and spigot end.

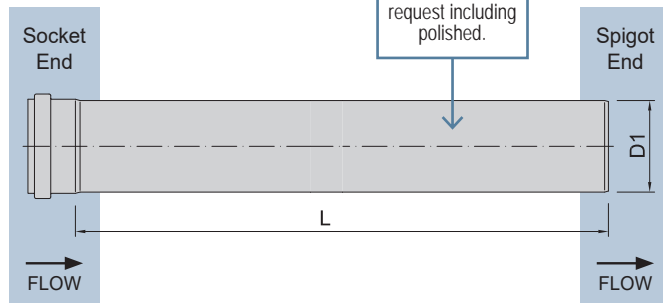
Ordered in various lengths to reduce offcut wastage then cut to length on site using an appropriate cutter.

**The system is directional; the water flow must travel from socket to spigot.**

An EPDM ring seal is pre-fitted in the socket end and can be change to another type of rubber type depending on chemicals or temperature requirements.

Our extensive technical experience is available to help with your individual project requirements or further information.

**Mill finish standard**  
Other finishes are available on request including polished.



Refer to the technical section for installation guides & other reference information.

50 mm

75 mm

110 mm

160 mm

200 mm

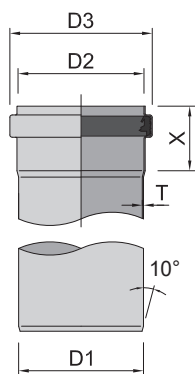
250 mm

315 mm

Product No	L	D1	Weight (kg)	
			Dry	Wet †
AP.P.0150.050	150	50	0.2	0.5
AP.P.0250.050	250	50	0.4	0.8
AP.P.0500.050	500	50	0.7	1.5
AP.P.0750.050	750	50	1.0	2.3
AP.P.1000.050	1000	50	1.3	3.1
AP.P.1500.050	1500	50	1.9	4.2
AP.P.2000.050	2000	50	2.6	6.0
AP.P.3000.050	3000	50	3.8	9.0
AP.P.4000.050	4000	50	5.0	12.0
AP.P.0150.075	150	75	0.4	0.9
AP.P.0250.075	250	75	0.6	1.5
AP.P.0500.075	500	75	1.0	3.0
AP.P.0750.075	750	75	1.5	4.5
AP.P.1000.075	1000	75	2.0	6.0
AP.P.1500.075	1500	75	2.9	9.0
AP.P.2000.075	2000	75	3.6	12.1
AP.P.3000.075	3000	75	5.7	18.0
AP.P.4000.075	4000	75	7.6	24.1
AP.P.0150.110	150	110	0.6	1.8
AP.P.0250.110	250	110	0.9	3.0
AP.P.0500.110	500	110	1.5	6.0
AP.P.0750.110	750	110	2.2	8.9
AP.P.1000.110	1000	110	2.9	11.9
AP.P.1500.110	1500	110	4.3	17.8
AP.P.2000.110	2000	110	5.7	23.7
AP.P.3000.110	3000	110	8.4	35.6
AP.P.6000.110	6000	110	16.7	71.8
AP.P.0250.160	250	160	1.6	6.6
AP.P.0500.160	500	160	2.9	12.7
AP.P.0750.160	750	160	4.1	18.8
AP.P.1000.160	1000	160	5.4	25.0
AP.P.1500.160	1500	160	7.9	37.2
AP.P.2000.160	2000	160	10.4	49.5
AP.P.3000.160	3000	160	15.4	74.0
AP.P.6000.160	6000	160	30.4	147.6
AP.P.0500.200*	500	200	4.5	19.8
AP.P.1000.200*	1000	200	8.3	38.8
AP.P.2000.200*	2000	200	15.8	76.7
AP.P.3000.200*	3000	200	23.2	114.5
AP.P.0500.250*	500	250	5.5	29.8
AP.P.1000.250*	1000	250	10.2	58.4
AP.P.2000.250*	2000	250	19.4	115.5
AP.P.3000.250*	3000	250	28.7	172.7
AP.P.0500.315*	500	315	9.8	47.9
AP.P.1000.315*	1000	315	17.7	93.7
AP.P.2000.315*	2000	315	33.5	175.1
AP.P.3000.315*	3000	315	49.3	276.7

\* Item available on request, lead time likely.  
† Wet weights calculated using full volume filled with water.

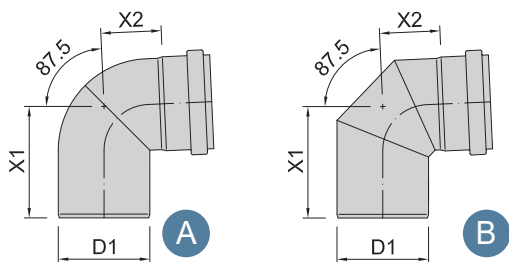
### ■ Socket & Spigot Details



D1	X	Insertion Depth		D2	D3	T
		<i>i</i>	<i>i</i>			
50	42	32 - 37		51	62	1.0
75	50	40 - 45		76	88	1.0
110	57	47 - 52		111	126	1.0
160	70	60 - 65		161	178	1.25
200	80	70 - 75		201	219	1.5
250	90	80 - 85		251	269	1.5
315	100	90 - 95		316	334	2.0

Retract 5-10mm after pushing together for expansion & contraction.

■ **Bend 87.5° Socket - Spigot**

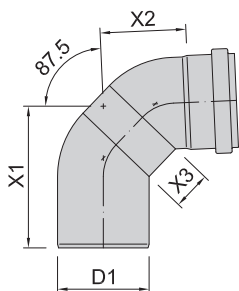


Material: 316 stainless steel, mill finish. Ring Seal: EPDM x1 fitted.

Product No	D1	Image	X1	X2
AP.B.87.050	50	A	86	40
AP.B.87.075	75	A	107	53
AP.B.87.110	110	A	134	67
AP.B.87.160	160	A	181	105
AP.B.87.200*	200	B	215	129
AP.B.87.250*	250	B	297	198
AP.B.87.315*	315	B	393	286

\* Item available on request, lead time likely.

■ **Swept Bend 87.5° Socket - Spigot**

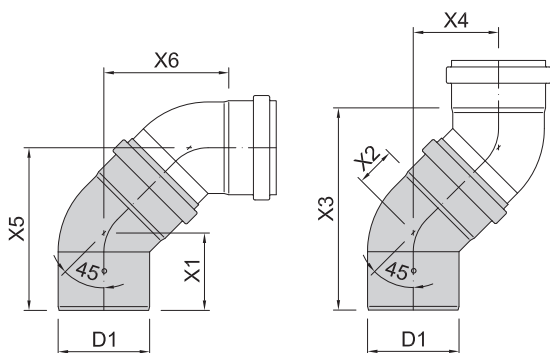


Material: 316 stainless steel, mill finish. Ring Seal: EPDM x1 fitted.

Product No	D1	X1	X2	X3
AP.SB.87.050*	50	102	97	22
AP.SB.87.075*	75	128	126	30
AP.SB.87.110	110	173	160	46
AP.SB.87.160	160	229	224	75

\* Item available on request, lead time likely.

■ **Bend 45° Socket - Spigot**



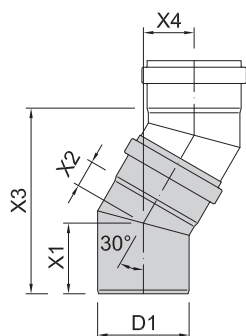
Double bend arrangements shown for offset dimensions only - each bend sold separately.

Material: 316 stainless steel, mill finish. Ring Seal: EPDM x1 fitted.

Product No	D1	X1	X2	X3	X4	X5	X6
AP.B.45.050	50	62	24	157	68	130	95
AP.B.45.075	75	76	32	197	83	159	121
AP.B.45.110	110	93	42	243	103	195	150
AP.B.45.160	160	131	55	331	138	269	200
AP.B.45.200*	200	152	60	380	156	308	228
AP.B.45.250*	250	177	76	438	185	362	273
AP.B.45.315*	315	199	91	502	212	411	317

\* Item available on request, lead time likely.

■ **Bend 30° Socket - Spigot**



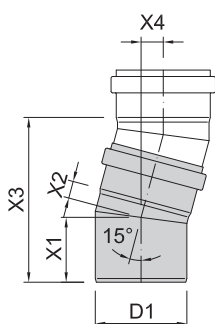
Double bend arrangements shown for offset dimensions only - each bend sold separately.

Material: 316 stainless steel, mill finish. Ring Seal: EPDM x1 fitted.

Product No	D1	X1	X2	X3	X4
AP.B.30.050	50	57	16	138	37
AP.B.30.075*	75	71	21	172	45
AP.B.30.110	110	85	27	223	61
AP.B.30.160*	160	110	40	278	73
AP.B.30.200*	200	137	45	336	89
AP.B.30.250*	250	153	58	413	110
AP.B.30.315*	315	172	68	448	121

\* Item available on request, lead time likely.

■ **Bend 15° Socket - Spigot**



Double bend arrangements shown for offset dimensions only - each bend sold separately.

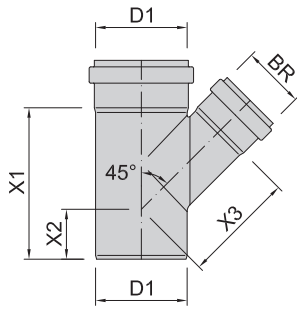
Material: 316 stainless steel, mill finish. Ring Seal: EPDM x1 fitted.

Product No	D1	X1	X2	X3	X4
AP.B.15.050	50	54	12	134	18
AP.B.15.075	75	66	16	162	21
AP.B.15.110	110	78	15	198	26
AP.B.15.160	160	99	29	250	32
AP.B.15.200*	200	123	31	300	38
AP.B.15.250*	250	136	40	366	48
AP.B.15.315*	315	151	46	388	51

\* Item available on request, lead time likely.

■ **Single Junction 45°**

Material: 316 stainless steel, mill finish.  
Ring Seal: EPDM x2 fitted.

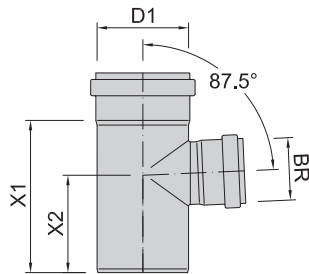


Product No	D1	BR	X1	X2	X3
AP.SJ.45.050	50	50	128	57	76
AP.SJ.45.075	75	75	179	74	110
AP.SJ.45.110	110	110	233	88	149
AP.SJ.45.160	160	160	332	119	222
AP.SJ.45.200*	200	200	415	151	274
AP.SJ.45.250*	250	250	513	172	336
AP.SJ.45.315*	315	315	616	195	521
AP.RJ.45.075.050	75	50	144	56	94
AP.RJ.45.110.050	110	50	147	42	119
AP.RJ.45.110.075	110	75	182	60	135
AP.RJ.45.160.110	160	110	332	119	191
AP.RJ.45.200.160*	200	160	359	123	250
AP.RJ.45.250.200*	250	200	429	175	307
AP.RJ.45.315.250*	315	250	518	154	382

\* Item available on request, lead time likely.

■ **Single Junction 87.5°**

Material: 316 stainless steel, mill finish.  
Ring Seal: EPDM x2 fitted.

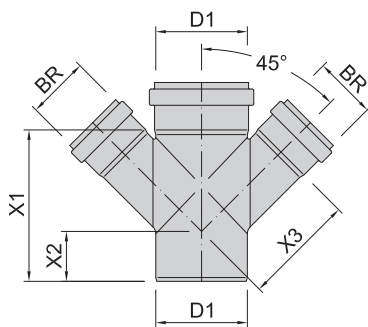


Product No	D1	BR	X1	X2
AP.SJ.87.050	50	50	106	71
AP.SJ.87.075	75	75	139	90
AP.SJ.87.110	110	110	183	117
AP.SJ.87.160	160	160	288	184
AP.SJ.87.200*	200	200	333	206
AP.SJ.87.250*	250	250	363	215
AP.SJ.87.315*	315	315	476	281
AP.RJ.87.075.050	75	50	139	90
AP.RJ.87.110.050	110	50	183	117
AP.RJ.87.110.075	110	75	183	117
AP.RJ.87.160.110	160	110	288	184
AP.RJ.87.200.160*	200	160	293	186
AP.RJ.87.250.200*	250	200	349	226
AP.RJ.87.315.250*	315	250	411	248

\* Item available on request, lead time likely.

■ **Double Junction 45°**

Material: 316 stainless steel, mill finish.  
Ring Seal: EPDM x3 fitted.

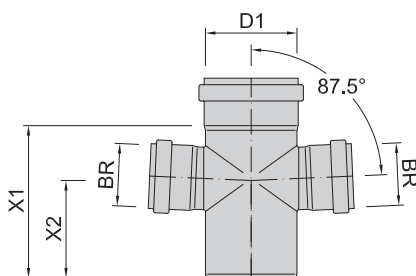


Product No	D1	BR	X1	X2	X3
AP.DJ.45.050*	50	50	128	57	76
AP.DJ.45.075*	75	75	179	74	110
AP.DJ.45.110*	110	110	233	88	149
AP.DJ.45.160*	160	160	332	119	222
AP.DRJ.45.075.050*	75	50	144	56	94
AP.DRJ.45.110.050*	110	50	147	42	119
AP.DRJ.45.110.075*	110	75	182	60	135
AP.DRJ.45.160.110*	160	110	332	119	190

\* Item available on request, lead time likely.

■ **Double Junction 87.5°**

Material: 316 stainless steel, mill finish.  
Ring Seal: EPDM x3 fitted.

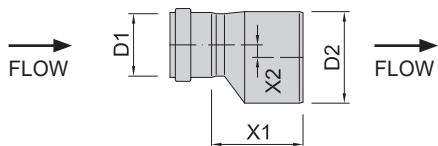


Product No	D1	BR	X1	X2
AP.DRJ.87.075.050*	75	50	139	90
AP.DRJ.87.110.050*	110	50	183	117
AP.DRJ.87.110.075*	110	75	183	117
AP.DRJ.87.160.110*	160	110	288	184

\* Item available on request, lead time likely.

■ **Increaser Eccentric Socket - Spigot**

Material: 316 stainless steel, mill finish.  
Ring Seal: EPDM x1 fitted (D1).

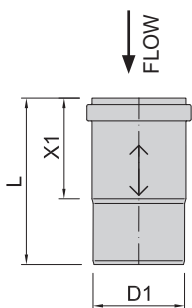


Product No	D1	D2	X1	X2
AP.IE.050.075	50	75	75	7
AP.IE.050.110	50	110	110	25
AP.IE.075.110	75	110	110	15
AP.IE.110.160	110	160	160	22
AP.IE.160.200*	160	200		
AP.IE.200.250*	200	250	180	15
AP.IE.250.315*	250	315	190	15

\* Item available on request, lead time likely.

■ **Expansion Socket Socket - Spigot**

Material: 316 stainless steel, mill finish.  
Ring Seal: EPDM x1 fitted.



Product No	D1	L	X1
AP.ES.110*	110	200	121
AP.ES.160*	160	292	170

\* Item available on request, lead time likely.

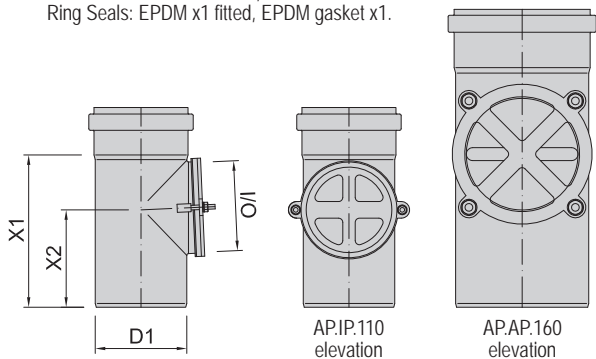
Although each socket is designed to allow some linear expansion & contraction, for greater movement use the Expansion Socket.

Thermal expansion & contraction dimensions are available on request.

**Installing?**  
Ensure the minimum insertion distance is marked on the incoming spigot prior to inserting.

■ **Access Pipe Socket - Spigot**

Material: 316 stainless steel, mill finish.  
Ring Seals: EPDM x1 fitted, EPDM gasket x1.

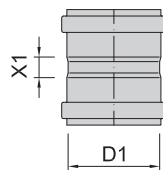


Product No	D1	X1	X2	I/O
AP.IP.075*	75	139	90	
AP.IP.110	110	183	117	110
AP.IP.160	160	288	184	160
AP.IP.200*	200	293	186	

\* Item available on request, lead time likely.

■ **Straight Coupling Socket - Socket**

Material: 316 stainless steel, mill finish.  
Ring Seal: EPDM x2 fitted.

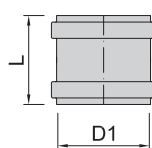


Product No	D1	X1
AP.SC.050	50	15
AP.SC.075	75	25
AP.SC.110	110	25
AP.SC.160	160	25
AP.SC.200*	200	
AP.SC.250*	250	
AP.SC.315*	315	

\* Item available on request, lead time likely.

■ **Repair Coupling Socket - Socket**

Material: 316 stainless steel, mill finish.  
Ring Seal: EPDM x2 fitted.



Product No	D1	L
AP.RC.050	50	89
AP.RC.075	75	96
AP.RC.110	110	102
AP.RC.160	160	131
AP.RC.200*	200	
AP.RC.250*	250	
AP.RC.315*	315	

\* Item available on request, lead time likely.

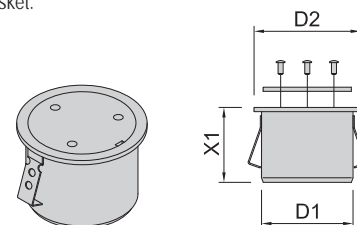
Designed with no centre stopper so the repair coupling can slide entirely over pipe for new fittings to be added and then slid back over the join.

Mark min insertion depth on both spigots to ensure adequate insertion.

■ **Clearout (IP Cover)**

Material: 316 stainless steel, polished top finish.  
Lid seal: Neoprene gasket.

Polished 316 stainless steel top finish.  
Allen head screws fitted standard.  
Security screws are available on request.

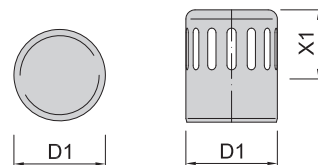


Product No	D1	D2	X1
AP.CO.110	110	128	90
AP.CO.160	160	180	100

■ **Vent Cowl**

Material: 316 stainless steel, mill finish.

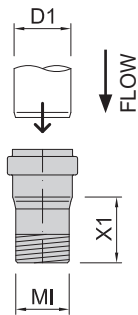
Other diameters available on request.  
Version for bushfire risk areas available on request.



Product No	D1	X1	Slot
AP.VC.110	110	83	11x50

**MI Adaptor Socket - MI BSP**

Material: 316 stainless steel, mill finish.  
Ring Seal: EPDM x1 fitted.

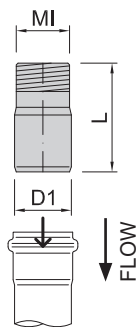


Product No	D1	MI BSP	X1
AP.MIS.050.032*	50	1.1/4"	58
AP.MIS.050.040	50	1.1/2"	58
AP.MIS.050.050	50	2"	58

\* Item available on request, lead time likely.

**MI Adaptor MI BSP - Spigot**

Material: 316 stainless steel, mill finish.



Product No	D1	MI BSP	L
AP.MI.050.032*	50	1.1/4"	100
AP.MI.050.040*	50	1.1/2"	100
AP.MI.050.050	50	2"	100

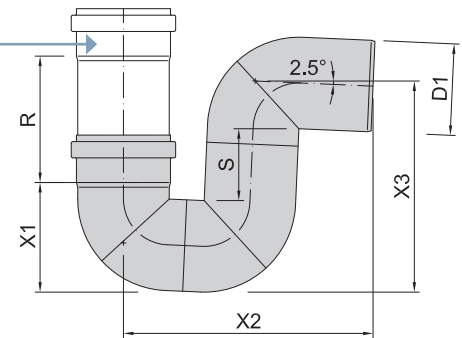
\* Item available on request, lead time likely.

**P-Trap Socket - Spigot**

Material: 316 stainless steel, mill finish.  
Ring Seal: EPDM x1 fitted.

Polished finish is available on request for exposed installations.

Riser Note:  
A small vertical length may be required.  
Riser length sold separately.

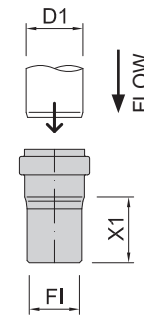


Product No	D1	X1	X2	X3	Flow max
AP.PT.050	50	68	187	149	1.7 L/sec
AP.PT.075	75	94	232	193	2.5 L/sec
AP.PT.110	110	132	300	254	3.4 L/sec
AP.PT.160	160	190	403	347	7.5 L/sec

Larger diameters are available on request.

**FI Adaptor Socket - FI BSP**

Material: 316 stainless steel, mill finish.  
Ring Seal: EPDM x1 fitted.



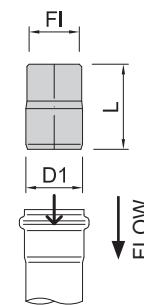
Product No	D1	FI BSP	X1
AP.FIS.050.032*	50	1.1/4"	58
AP.FIS.050.040	50	1.1/2"	58
AP.FIS.050.050	50	2"	58

\* Item available on request, lead time likely.

**FI Adaptor FI BSP - Spigot**

Material: 316 stainless steel, mill finish.

Commonly used for Plug & Waste sink connections.  
Can be used with a P-Trap or S-Trap (sold separately).



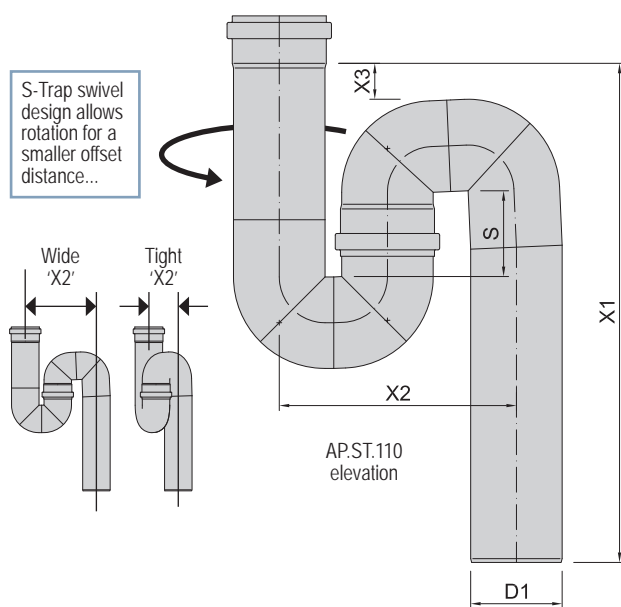
Product No	D1	FI BSP	L
AP.FI.050.032*	50	1.1/4"	72
AP.FI.050.040	50	1.1/2"	75
AP.FI.050.050	50	2"	80

\* Item available on request, lead time likely.

**S-Trap Swivel Socket - Spigot**

Material: 316 stainless steel, electro-polished finish.  
Ring Seals: EPDM fitted (50mm & 75mm x4, 110mm x2).

S-Trap swivel design allows rotation for a smaller offset distance...

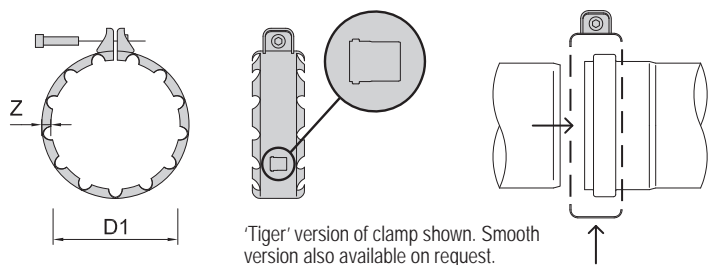


Product No	D1	X1	X2	X3	Flow max
AP.ST.050	50	660	80-215	45	1.7 L/sec
AP.ST.075	75	665	116-270	12	2.5 L/sec
AP.ST.110	110	600	135-280	43	3.4 L/sec

Larger diameters are available on request.

**Socket Joint Clamp**

Material: 316 stainless steel, mill finish.



'Tiger' version of clamp shown. Smooth version also available on request.

Socket Clamps are only needed where possible pressures or force on a join could dislodge the spigot from the socket.

Joints without a clamp are rated up to positive 0.5 bar pressure. Fitting a clamp will increase this rating as listed.

**Installing?**

Fit the Socket Clamp over the bump of the socket (as shown dashed above) noting the correct direction...

- Small lip edge (fit over the socket),
- Large lip edge (fit over the spigot).

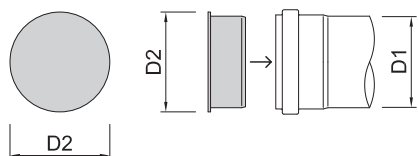
Pipe length shown for clarity, not included.

Product No	D1	Working Pressures (bar)	
		Without Clamp	With Clamp
AP.SCL.050	50	-0.8 to 0.5	-0.8 to 2.0
AP.SCL.075	75	-0.8 to 0.5	-0.8 to 2.0
AP.SCL.110	110	-0.8 to 0.5	-0.8 to 2.0
AP.SCL.160*	160	-0.8 to 0.5	-0.8 to 1.0
AP.SCL.200*	200	-0.8 to 0.5	-0.8 to 1.0
AP.SCL.250*	250	-0.8 to 0.5	-0.8 to 1.0
AP.SCL.315*	315	-0.8 to 0.5	-0.8 to 1.0

\* Item available on request, lead time likely.

**Socket Plug (Push-In)**

Material: 316 stainless steel, mill finish.



**Installing?**

- Leave the ring seal in the pipe socket.
- Fully insert the plug into the socket.

If Socket Plug requires to be secured in place, refer to Socket Plug with Clamp as an alternative product.

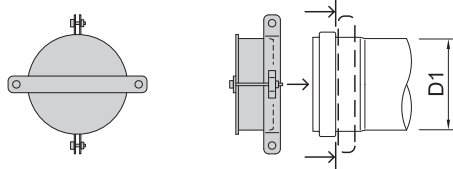
Pipe length shown for clarity, not included.

Product No	D1	D2
AP.SP.050	50	58
AP.SP.075	75	85
AP.SP.110	110	120
AP.SP.160	160	170
AP.SP.200*	200	210
AP.SP.250*	250	260
AP.SP.315*	315	325

\* Item available on request, lead time likely.

**Socket Plug with Clamp**

Material: 316 stainless steel, mill finish.



**Installing?**

- Leave the ring seal in the pipe socket.
- Fully insert the plug into the pipe socket.
- Position the clamp behind the socket bump, as shown dashed.
- Tighten nuts x4 to secure

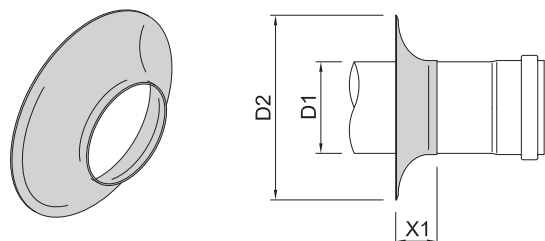
Pipe length shown for clarity, not included.

Product No	D1
AP.SPC.050	50
AP.SPC.075	75
AP.SPC.110	110
AP.SPC.160*	160
AP.SPC.200*	200
AP.SPC.250*	250
AP.SPC.315*	315

\* Item available on request, lead time likely.

**Cover Flange (Escutcheon Plate)**

Material: 316 stainless steel, spun finish.

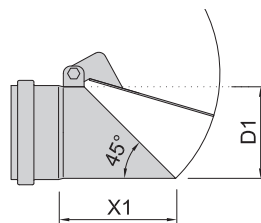


Product No	D1	D2	X1
AP.CF.050*	50	160	51
AP.CF.075*	75	185	51
AP.CF.110*	110	221	51
AP.CF.160*	160	270	51

Pipe length shown for clarity, not included.  
\* Item available on request, lead time likely.

**Vermin Flap Socket - Outlet**

Material: 316 stainless steel, satin finish.  
Ring Seal: EPDM x1 fitted.



Swinging door prevents the ingress of vermin.

**Installing?**  
Install horizontally with the hinge tab at the top.

Product No	D1	X1
AP.VFS.050	50	75
AP.VFS.075*	75	100
AP.VFS.110	110	135
AP.VFS.160*	160	185

\* Item available on request, lead time likely.

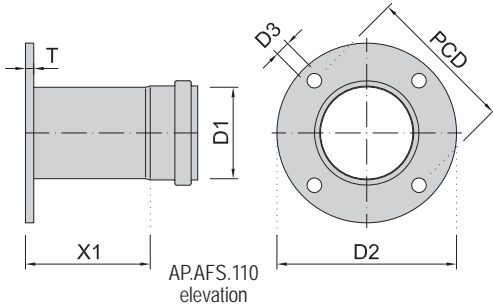


### Adaptor Flange Socket - Flange

Material: 316 stainless steel, mill finish.  
Ring Seal: EPDM x1 fitted.

Other flange types, spigot ends and diameters on request.

We manufacture Adaptor Flanges to suit the flange type and pipe length you require.

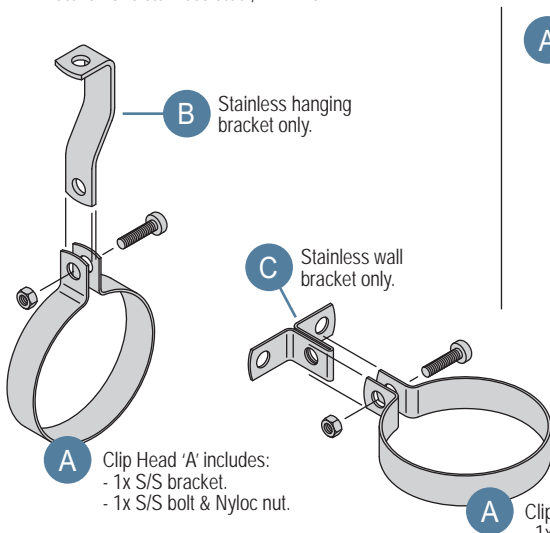


Product No	D1	Table	X1	T <sub>min</sub>	D2	PCD	D3 x qty
AP.AFS.050*	50	E	140	10	150	114	18Ø x4
AP.AFS.075*	75	E	140	11	185	146	18Ø x4
AP.AFS.110*	110	E	140	13	215	178	18Ø x8
AP.AFS.160*	160	E	240	17	280	235	22Ø x8

\* Item available on request, lead time likely. Confirm flange type at time of ordering. Flange table dimensions are in accordance with AS 2129.

### Stainless Steel Brackets

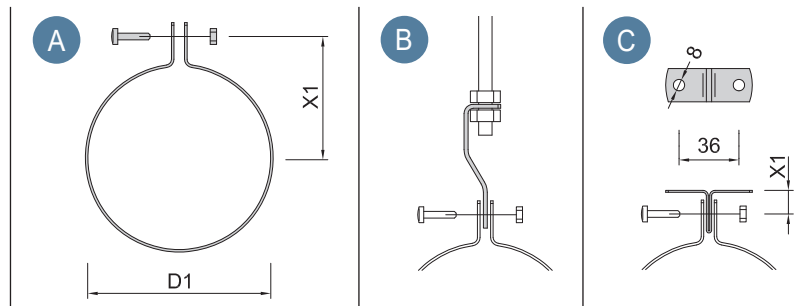
Material: 316 stainless steel, mill finish.



**Installing?**

Do not fit the bracket to the socket part of the stainless pipe.

Separate stainless from other metals using rubber or inert liners.



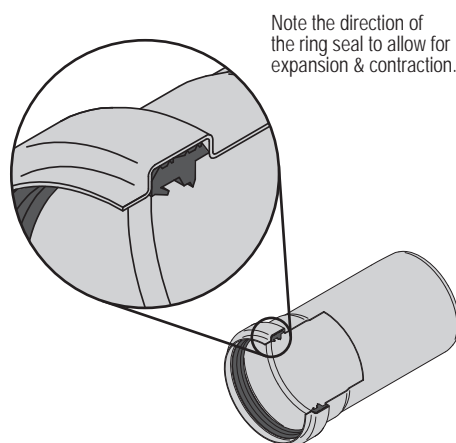
Product No	Image	D1	X1	Thk
AP.CH.050	A	50	39	1.5
AP.CH.075	A	75	59	1.5
AP.CH.110	A	110	82	1.5
AP.CH.160	A	160	102	1.5
AP.CH.200	A	200	114	1.5
AP.CH.250	A	250	139	1.5
316.SB1	B	-	-	-
316.SB4	C	-	12-22	-

### Ring Seals

Within the socket of each fitting and pipe length, an EPDM rubber ring seal is supplied fitted as standard.

**Note the orientation the ring seal is inserted into the socket - double seals facing into the socket, refer adjacent image...**

For ring seal suitability with chemicals and other applications, please contact us for assessment.



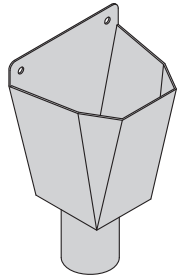
Refer to our Technical Data Sheets for ring seal suitability and resistance.

EPDM = Ethylene Propylene Diene Monomer  
FPM = Fluoroelastomer is a material similar to Viton rubber.

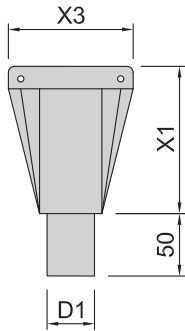
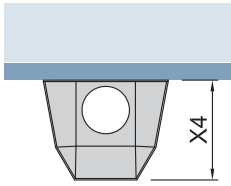
Type:	Supplied pre-fitted in fittings	Optional extra
	EPDM Standard	FPM Oil, Gas, High°C
	D1	D1
	Black -50 to +100°C	Green -20 to +200°C
D1	Product No	Product No
50	AP.EPDM.050	AP.FPM.050
75	AP.EPDM.075	AP.FPM.075
110	AP.EPDM.110	AP.FPM.110
160	AP.EPDM.160	AP.FPM.160
200	AP.EPDM.200*	AP.FPM.200*
250	AP.EPDM.250*	AP.FPM.250*
315	AP.EPDM.315*	AP.FPM.315*

\* Item available on request, lead time likely.

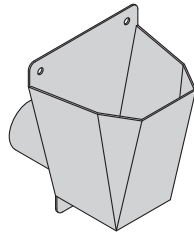
■ **Tundish - Wall Mounted & In-Wall**



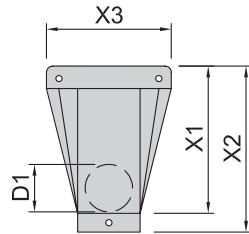
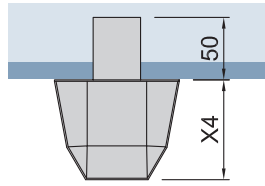
**A** Wall Mounted Vertical Outlet  
Material: 304 stainless steel, satin finish.



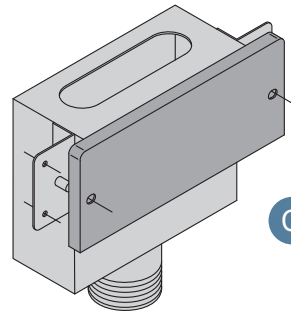
Use a Copper-PVC adaptor to connect to spigot end.



**B** Wall Mounted Horizontal Outlet  
Material: 304 stainless steel, satin finish.



Use a Copper-PVC adaptor to connect to spigot end.



**C** In-Wall (Ventilated) Vertical Outlet  
Finish: Polished cover panel.  
Material: 304 stainless steel.

Includes:  
2x screws to affix cover.

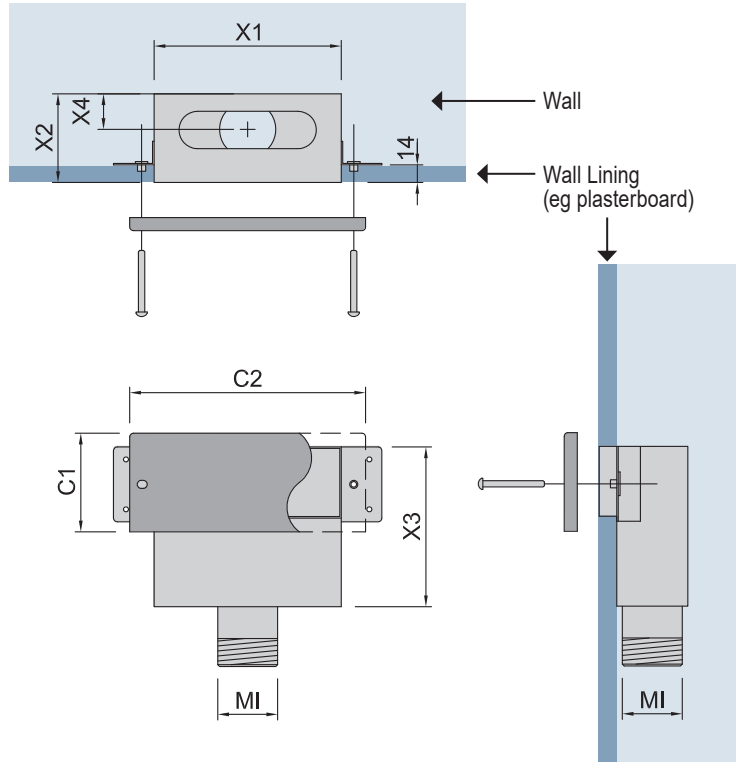


Image	Product No	D1/MI	X1	X2	X3	X4	C1	C2
<b>A</b>	WMT-5-BTM	<b>38</b>	120	-	100	80	-	-
<b>B</b>	WMT-5-BACK	<b>38</b>	120	135	100	80	-	-
<b>C</b>	TUN.INWL.BLU	<b>1.1/2"</b>	150	71	128	25	79	189

**Common Material Pipe Diameters (OD & ID)**

Check before ordering as measurements may differ slightly between suppliers.

Material	DN:	40	50	65	80	90	100	150	200	225	250	300	400	500
HDPE	OD	<b>50</b>	<b>56</b>	<b>63</b>	<b>75</b>	<b>90</b>	<b>110</b>	<b>160</b>	<b>200</b>	-	<b>250</b>	<b>315</b>	-	-
	ID	44	50	57	69	83	101.4	147.6	187.6	-	234.4	295.4	-	-
AusPress Drainage	OD	-	<b>50</b>	<b>75</b>	-	-	<b>110</b>	<b>160</b>	<b>200</b>	-	<b>250</b>	<b>315</b>	-	-
	ID	-	48	73	-	-	108	157.5	197	-	247	311	-	-
Copper	OD	<b>38.1</b>	<b>50.8</b>	<b>63.5</b>	<b>76.2</b>	<b>88.9</b>	<b>101.6</b>	<b>152.4</b>	<b>203.2</b>	-	-	-	-	-
	ID	34.8	47.5	60.2	72.1	84.8	97.5	147.1	197.9	-	-	-	-	-
PVC (DWV)	OD	<b>43</b>	<b>56</b>	<b>69</b>	<b>82</b>	-	<b>110</b>	<b>160</b>	-	<b>250</b>	-	<b>315</b>	-	-
	ID	39	51.6	63.6	76.2	-	104	151.6	-	236.8	-	298.2	-	-
KG2000 (PP)	OD	-	-	-	-	-	<b>110</b>	<b>160</b>	<b>200</b>	-	<b>250</b>	<b>315</b>	<b>400</b>	<b>500</b>
	ID	-	-	-	-	-	103.2	150.2	187.6	-	234.6	295.6	375.4	469.4

### Joining Drainage To & From Other Materials

Confirm the materials are compatible with stainless steel and the rubber ring seal is lubricated (not with oil). **Remember to observe the flow rule when installing.** All items sold separately. Confirm with manufacturer suitability of non-AusPress products.

**This is a guide only!**  
Read with the technical section and contact us for more information.

