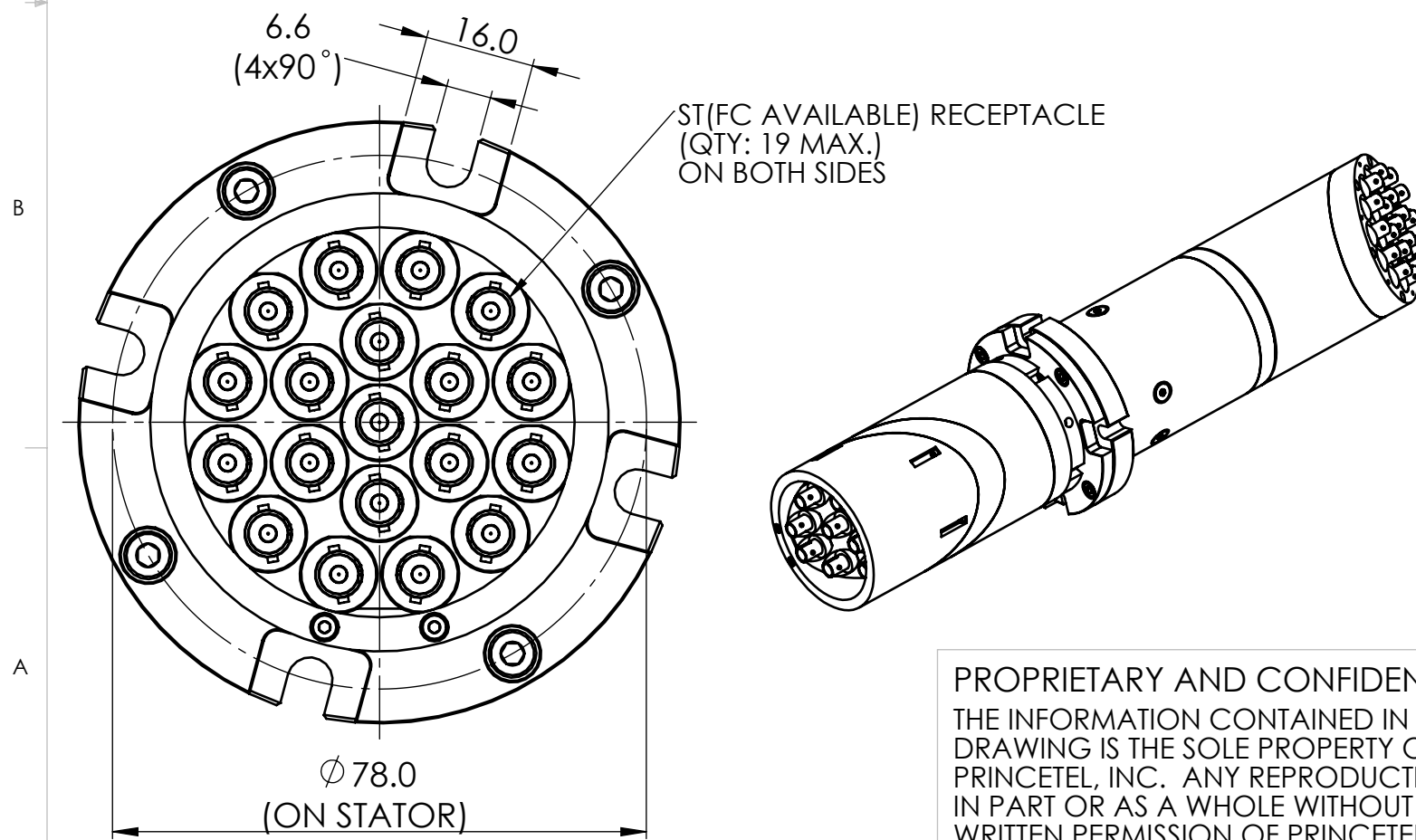


NOTE: MORE OPTIONS AVAILABLE UPON REQUEST.

STANDARD SPECIFICATIONS

PARAMETERS	VALUES
WAVELENGTH RANGE	1270-1610 nm FOR SM; 850 AND 1310 nm FOR MM
INSERTION LOSS (PRE-CONNECTORIZED)	<5 DB (TYPICAL: 2-3 DB)
INSERTION LOSS RIPPLE	~+/-0.5 TO 1 DB
RETURN LOSS	45 DB
CROSSTALK	>50 DB (TYPICAL: 63 DB)
MAXIMUM SPEED	200 RPM
ESTIMATED LIFE CYCLE	100 MILLION REVOLUTIONS
WORKING TEMPERATURE	-20 TO 65 C
STORAGE TEMPERATURE	-25 TO 75 C
PACKAGE STYLE	RECEPTACLES(FC OR ST; UP TO 19 CHANNELS)
HOUSING MATERIAL	STAINLESS STEEL
FIBER TYPES	SINGLE OR MULTIMODE
VIBRATION	MIL-STD-167-1
MECHANICAL SHOCK	MIL-STD-810F
IP RATING	IP65: FORJ BODY ONLY; IP60: RECEPTACLE EXTENSIONS



PROPRIETARY AND CONFIDENTIAL
 THE INFORMATION CONTAINED IN THIS DRAWING IS THE SOLE PROPERTY OF PRINCETEL, INC. ANY REPRODUCTION IN PART OR AS A WHOLE WITHOUT THE WRITTEN PERMISSION OF PRINCETEL, INC. IS PROHIBITED.

UNLESS OTHERWISE SPECIFIED:

DIMENSIONS ARE IN mm
 DO NOT SCALE DRAWING

TOLERANCES:
 ANGULAR: $\pm 1/2^\circ$
 ONE PLACE DECIMAL ± 0.100
 TWO PLACE DECIMAL ± 0.050
 THREE PLACE DECIMAL ± 0.025

MATERIAL:

	DATE	NAME	PRINCETEL, INC.		
DRAWN	11/5/2018	L. X.	TITLE:		
CHECKED	11/5/2018	R. Z.	JXnST(FC)(19CHANNEL) RECEPTACLE, FORJ		
ENG APPR.			SIZE	DWG. NO.	REV
MFG APPR.			B	JXn2ST(FC)-45AD	1
Q.A.			PART NO.	-	SHEET 1 OF 1
COMMENTS: FIRST ANGLE PROJECTION					

