

 Domestic use

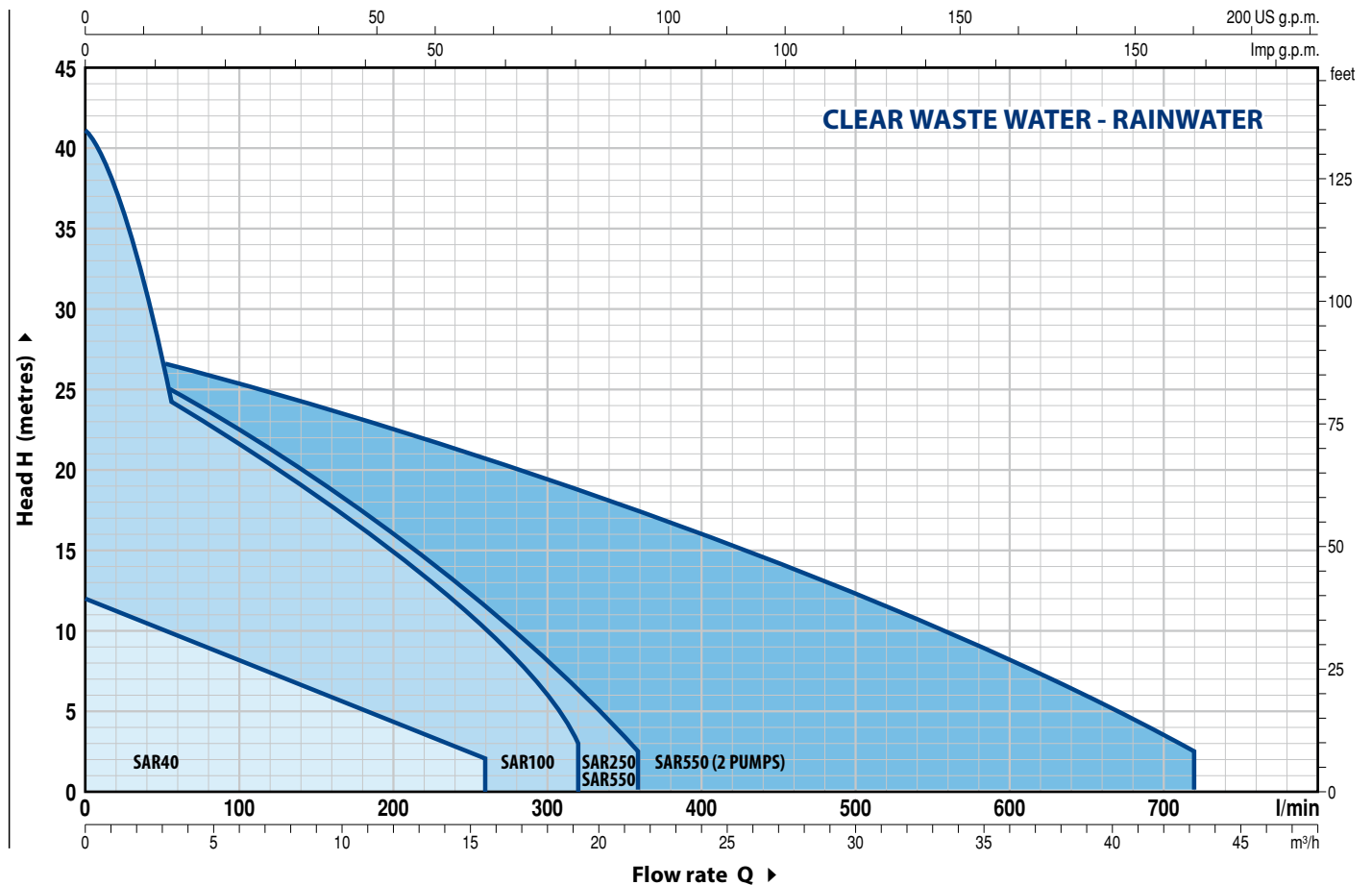
 Agricultural use

 Civil use



PERFORMANCE RANGE

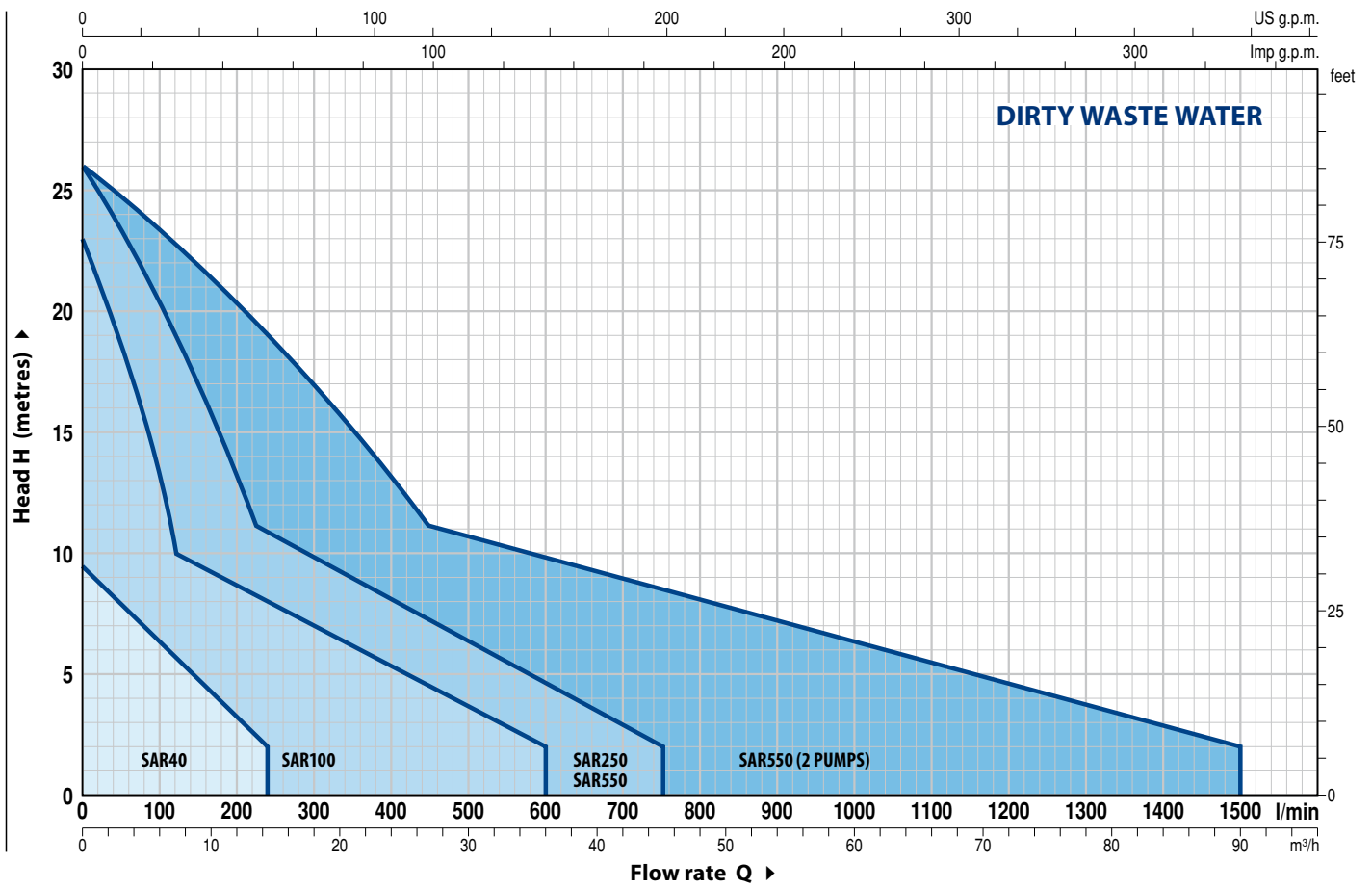
50 Hz n= 2900 min⁻¹





PERFORMANCE RANGE

50 Hz n= 2900 min⁻¹



CLEAR WASTE WATER - RAINWATER

MODEL	POWER (P ₂)		TANK CAPACITY litres	MAXIMUM FLOW RATE litres/min	MAXIMUM HEAD metres
	kW	HP			
SAR 40 - TOP 1	0.25	0.33	40	160	6
SAR 40 - TOP 2	0.37	0.50	40	220	8
SAR 40 - TOP 3	0.55	0.75	40	260	10
SAR 40 - RXm 1	0.25	0.33	40	160	6.5
SAR 40 - RXm 2	0.37	0.50	40	220	9.5
SAR 40 - RXm 3	0.55	0.75	40	220	11.5



DIRTY WASTE WATER

MODEL	POWER (P ₂)		TANK CAPACITY litres	MAXIMUM FLOW RATE litres/min	MAXIMUM HEAD metres
	kW	HP			
SAR 40 - TOP 2-VORTEX	0.37	0.50	40	180	6.5
SAR 40 - TEX 2	0.37	0.50	40	200	7.5
SAR 40 - TEX 3	0.55	0.75	40	240	9.5
SAR 40 - RXm2/20	0.37	0.50	40	180	6.5

COMPONENTS

- 40 litres polyethylene tank with cover plate
- Pump complete with float switch
- Power cable: supplied with standard 5 metres cable with Schuko plug (EN 60335-2-41 standard states that the power cable must be 10 metres long for outside use)
- Non-return valve
- Accumulation stations with inlet tube 1½" gas, outlet 1¼" gas and vent ½" gas

CLEAR WASTE WATER - RAINWATER



MODEL	POWER (P ₂)		TANK CAPACITY litres	MAXIMUM FLOW RATE litres/min	MAXIMUM HEAD metres
	kW	HP			
SAR 100 - TOP 2	0.37	0.50	100	220	8
SAR 100 - TOP 3	0.55	0.75	100	260	10
SAR 100 - TOP 4	0.75	1	100	320	12.5
SAR 100 - TOP MULTI 1	0.37	0.50	100	70	25
SAR 100 - TOP MULTI 2	0.55	0.75	100	80	40
SAR 100 - TOP MULTI 3	0.55	0.75	100	120	32
SAR 100 - RXm 2	0.37	0.50	100	220	9.5
SAR 100 - RXm 3	0.55	0.75	100	220	11.5
SAR 100 - Dm 10	0.75	1	100	300	15.5
SAR 100 - Dm 20	0.75	1	100	250	19
SAR 100 - Dm 30	1.1	1.5	100	275	26

DIRTY WASTE WATER

MODEL	POWER (P ₂)		TANK CAPACITY litres	MAXIMUM FLOW RATE litres/min	MAXIMUM HEAD metres
	kW	HP			
SAR 100 - TOP 2-VORTEX	0.37	0.50	100	180	6.5
SAR 100 - TOP 3-VORTEX	0.55	0.75	100	180	8
SAR 100 - RXm 2/20	0.37	0.50	100	180	6.5
SAR 100 - RXm 3/20	0.55	0.75	100	180	8
SAR 100 - ZXm 2/30	0.55	0.75	100	320	12.5
SAR 100 - ZXm 2/40	0.55	0.75	100	400	11
SAR 100 - VXm 8/35	0.55	0.75	100	350	8
SAR 100 - VXm 10/35	0.75	1	100	400	10
SAR 100 - VXm 8/50	0.55	0.75	100	450	6
SAR 100 - VXm 10/50	0.75	1	100	550	8.5
SAR 100 - BCm 10/50	0.75	1	100	600	11

SAR 100 WITH GRINDER PUMPS (TRITUS)

SAR 100 - TRm 0.75	0.75	1	100	120	15.5
SAR 100 - TRm 1.1	1.1	1.5	100	120	22

COMPONENTS

- 100 litres polyethylene tank with cover plate
- Pump complete with float switch
- Power cable: supplied with standard 10 metres cable with Schuko plug
- Control box (only for SAR 100-TR)
- Accumulation stations with inlet tube Ø 110 mm, outlet 1¼" or 1½" or 2" gas and vent Ø 50 mm

CLEAR WASTE WATER - RAINWATER

MODEL	POWER (P ₂)		TANK CAPACITY litres	MAXIMUM FLOW RATE litres/min	MAXIMUM HEAD metres
	kW	HP			
SAR 250 - TOP 3	0.55	0.75	250	260	10
SAR 250 - TOP 4	0.75	1	250	320	12.5
SAR 250 - TOP 5	0.92	1.25	250	360	15
SAR 250 - RXm 3	0.55	0.75	250	220	11.5
SAR 250 - RXm 4	0.75	1	250	260	15
SAR 250 - RXm 5	1.1	1.5	250	300	19.5
SAR 250 - Dm 10	0.75	1	250	300	15.5
SAR 250 - Dm 20	0.75	1	250	250	19
SAR 250 - Dm 30	1.1	1.5	250	275	26



DIRTY WASTE WATER

MODEL	POWER (P ₂)		TANK CAPACITY litres	MAXIMUM FLOW RATE litres/min	MAXIMUM HEAD metres
	kW	HP			
SAR 250 - TOP 2-VORTEX	0.37	0.50	250	180	6.5
SAR 250 - TOP 3-VORTEX	0.55	0.75	250	180	8
SAR 250 - RXm 3/20	0.55	0.75	250	180	8
SAR 250 - RXm 4/40	0.75	1	250	280	9.5
SAR 250 - RXm 5/40	1.1	1.5	250	380	12.5
SAR 250 - VXm10/35-ST	0.75	1	250	400	10.5
SAR 250 - VXm10/50-ST	0.75	1	250	550	9.5
SAR 250 - BCm 10/50-ST	0.75	1	250	600	11
SAR 250 - VXm 10/35	0.75	1	250	400	10
SAR 250 - VXm 15/35	1.1	1.5	250	500	13.5
SAR 250 - VXm 10/50	0.75	1	250	550	8.5
SAR 250 - VXm 15/50	1.1	1.5	250	650	11
SAR 250 - BCm 10/50	0.75	1	250	600	11
SAR 250 - BCm 15/50	1.1	1.5	250	750	14

SAR 250 WITH GRINDER PUMPS (TRITUS)

SAR 250 - TRm 0.75	0.75	1	250	120	15.5
SAR 250 - TRm 1.1	1.1	1.5	250	120	22
SAR 250 - TRm 1.5	1.5	2	250	260	25

COMPONENTS

- **250 litres** polyethylene tank with cover plate
- Pump complete with float switch
- Power cable: supplied with standard 10 metres cable with Schuko plug
- Control box (only for SAR 250-TR)
- Accumulation stations with inlet tube Ø 110 mm, outlet 1¼" or 1½" or 2" gas and vent DN 50 or DN 75
- Coupling support and guide tubes for lowering of pump (only for VX-ST and BC-ST)

OPTIONS AVAILABLE ON REQUEST

- **Alarm KIT** (Cod. KSKIT-ALLARME)
IIKit includes: control box, self-powered siren, float
- **300 mm extension kit** (Cod. KSKIT-308MA)
Kit includes: extension kit for the installation of the polyethylene "SAR" tank at greater depths
- **"SAR" stations with ball check valves and ball valve in the discharge pipe**

CLEAR WASTE WATER - RAINWATER

MODEL	POWER (P ₂)		TANK CAPACITY litres	MAXIMUM FLOW RATE (1 pump) litres/min	MAXIMUM HEAD metres
	kW	HP			
SAR 550 - TOP 4	0.75	1	550	320	12.5
SAR 550 - TOP 5	0.92	1.25	550	360	15
SAR 550 - RXm 4	0.75	1	550	260	15
SAR 550 - RXm 5	1.1	1.5	550	300	19.5
SAR 550 - Dm 10	0.75	1	550	300	15.5
SAR 550 - Dm 20	0.75	1	550	250	19
SAR 550 - Dm 30	1.1	1.5	550	275	26



DIRTY WASTE WATER

MODEL	POWER (P ₂)		TANK CAPACITY litres	MAXIMUM FLOW RATE (1 pump) litres/min	MAXIMUM HEAD metres
	kW	HP			
SAR 550 - RXm 4/40	0.75	1	550	280	9.5
SAR 550 - RXm 5/40	1.1	1.5	550	380	12.5
SAR 550 - VXm 10/35-ST	0.75	1	550	400	10.5
SAR 550 - VXm 10/50-ST	0.75	1	550	550	9.5
SAR 550 - BCm10/50-ST	0.75	1	550	600	11
SAR 550 - VXm 10/35	0.75	1	550	400	10
SAR 550 - VXm 15/35	1.1	1.5	550	500	13.5
SAR 550 - VXm 10/50	0.75	1	550	550	8.5
SAR 550 - VXm 15/50	1.1	1.5	550	650	11
SAR 550 - VX 15/50 (*)	1.1	1.5	550	650	11
SAR 550 - BCm 10/50	0.75	1	550	600	11
SAR 550 - BC 15/50	1.1	1.5	550	750	14
SAR 550 - BC 15/50 (*)	1.1	1.5	550	750	14
SAR 550 WITH GRINDER PUMPS (TRITUS)					
SAR 550 - TRm 0.75	0.75	1	550	120	15.5
SAR 550 - TRm 1.1	1.1	1.5	550	120	22
SAR 550 - TR 1.1 (*)	1.1	1.5	550	120	22
SAR 550 - TRm 1.5	1.5	2	550	260	25

COMPONENTS

- **550 litre** polyethylene tank with two lids
- Two single-phase pumps (* two three-phase pumps)
- Power cable: supplied with standard 10 metres cable
- Control box
- Three floats for: 1) alternating switch-on of one of the two pumps, 2) maximum level with switch-on of second pump, 3) minimum level with switch-off of pumps
- Accumulation stations with two inlet tubes Ø 110 mm, outlet 1¼" or 1½" or 2" gas and vent DN 50 or DN 75
- Coupling support and guide tubes for lowering of pump (only for VX-ST and BC-ST)

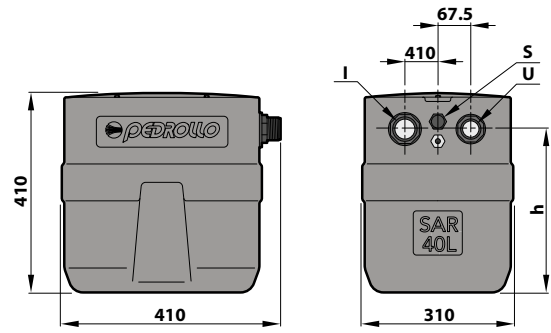
OPTIONS AVAILABLE ON REQUEST

- **Alarm KIT** (Cod. KSKIT-ALLARME)
Kit includes: control box, self-powered siren, float
- **300 mm extension kit** (Cod. KSKIT-308MA)
Kit includes: extension kit for the installation of the polyethylene "SAR" tank at greater depths
ATTENTION: the tank is fitted with two lids
- **"SAR" stations with ball check valves and ball valve in the discharge pipe**

DIMENSIONS AND WEIGHT

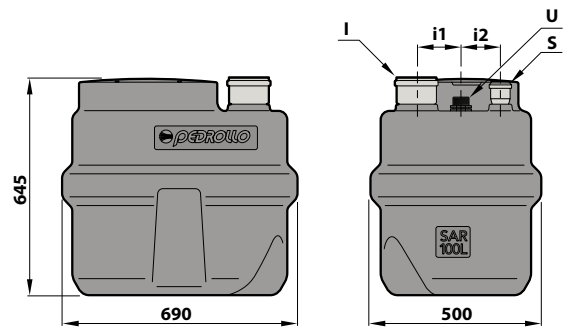
MODEL	PORTS			h	kg
	I	U ⁽¹⁾	S		
SAR 40 - TOP 1	1½"	1¼"	½"	305	14.0
SAR 40 - TOP 2					14.7
SAR 40 - TOP 3				335	16.1
SAR 40 - RXm 1				305	14.2
SAR 40 - RXm 2					15.3
SAR 40 - RXm 3				335	16.9
SAR 40 - TOP 2-VORTEX					14.6
SAR 40 - TEX 2					15.8
SAR 40 - TEX 3					16.5
SAR 40 - RXm 2/20					15.6

⁽¹⁾ Male threaded fitting



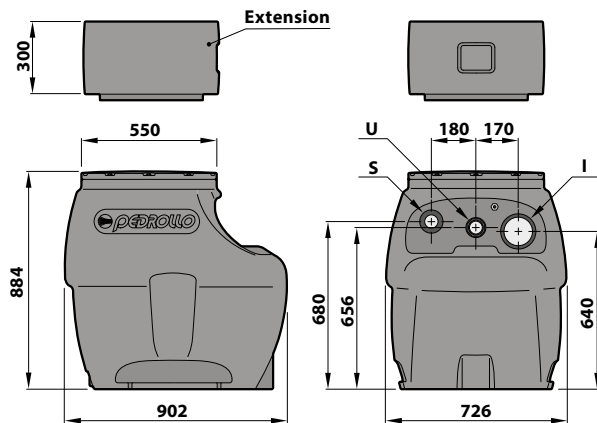
MODEL	PORTS			i1	i2	kg
	I	U ⁽¹⁾	S			
SAR 100 - TOP 2	DN 110	1¼"	DN 50	145	100	28.7
SAR 100 - TOP 3						30.1
SAR 100 - TOP 4		1½"				33.7
SAR 100 - TOP MULTI 1		1¼"				30.3
SAR 100 - TOP MULTI 2						32.9
SAR 100 - TOP MULTI 3						32.9
SAR 100 - RXm 2		1½"				29.3
SAR 100 - RXm 3						29.6
SAR 100 - Dm 10		1½"				36.6
SAR 100 - Dm 20						36.6
SAR 100 - Dm 30						38.6
SAR 100 - TOP 2-VORTEX		1¼"				28.7
SAR 100 - TOP 3-VORTEX						30.1
SAR 100 - RXm 2/20		1½"				29.6
SAR 100 - RXm 3/20						29.8
SAR 100 - ZXm 2/30						29.6
SAR 100 - ZXm 2/40						30.4
SAR 100 - VXm 8/35		2"				36.4
SAR 100 - VXm 10/35						37.2
SAR 100 - VXm 8/50						36.9
SAR 100 - VXm 10/50	1¼"	37.7				
SAR 100 - BCm 10/50		38.4				
SAR 100 - TRm 0.75	1¼"	46.0				
SAR 100 - TRm 1.1		47.6				

⁽¹⁾ Male threaded fitting

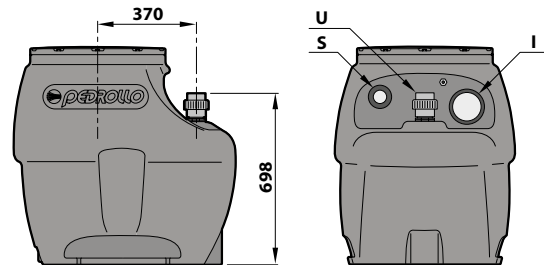


DIMENSIONS AND WEIGHT

MODEL	PORTS			kg	
	I	U ⁽¹⁾	S		
SAR 250 - TOP 3	DN 110	1¼"	DN 50	42.6	
SAR 250 - TOP 4		1½"		46.2	
SAR 250 - TOP 5		1½"		46.2	
SAR 250 - RXm 3		1¼"		47.0	
SAR 250 - RXm 4		1½"		50.0	
SAR 250 - RXm 5		1½"		51.0	
SAR 250 - Dm 10		1½"		51.2	
SAR 250 - Dm 20		1½"		53.5	
SAR 250 - Dm 30		1½"		51.2	
SAR 250 - TOP 2-VORTEX		1¼"		44.0	
SAR 250 - TOP 3-VORTEX		1¼"		46.0	
SAR 250 - RXm 3/20		1½"		45.0	
SAR 250 - RXm 4/40		1½"		53.0	
SAR 250 - RXm 5/40		1½"		53.0	
SAR 250 - VXm10/35-ST		2"		60.0	
SAR 250 - VXm10/50-ST		2"		60.0	
SAR 250 - BCm10/50-ST		2"		60.5	
SAR 250 - VXm 10/35		1½"		53.0	
SAR 250 - VXm 15/35		1½"		54.0	
SAR 250 - VXm 10/50		2"		53.0	
SAR 250 - VXm 15/50		2"		53.0	
SAR 250 - BCm 10/50		2"		53.5	
SAR 250 - BCm 15/50		2"		55.0	
SAR 250 - TRm 0.75		1¼"		DN 50	62.0
SAR 250 - TRm 1.1		1¼"		DN 50	64.0
SAR 250 - TRm 1.5		1½"		DN 50	79.0

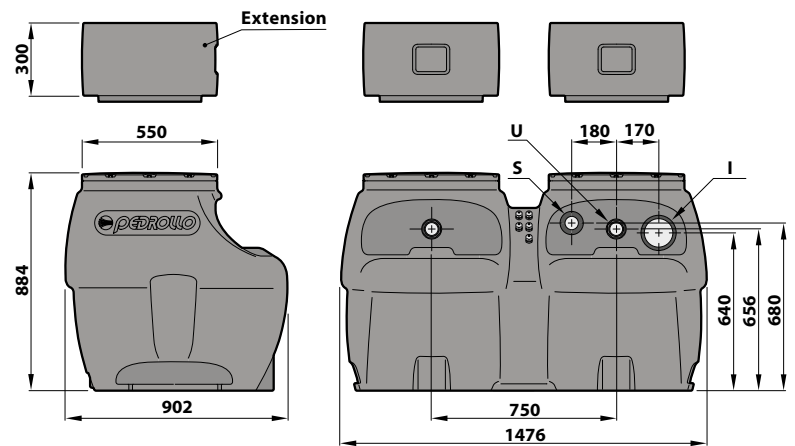


Only for VX-ST, BC-ST versions

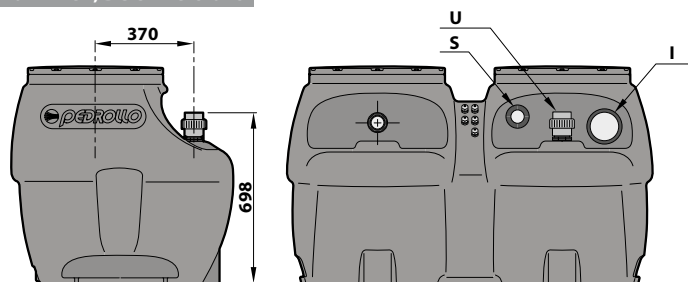


⁽¹⁾ Male threaded fitting (female for VX-ST and BC-ST)

MODEL	PORTS			kg		
	I	U ⁽¹⁾	S			
SAR 550 - TOP 4	DN 110	DN 50	DN 50	96.0		
SAR 550 - TOP 5				95.2		
SAR 550 - RXm 4				103.0		
SAR 550 - RXm 5				105.0		
SAR 550 - Dm 10				101.2		
SAR 550 - Dm 20				101.2		
SAR 550 - Dm 30				105.7		
SAR 550 - RXm 4/40				105.0		
SAR 550 - RXm 5/40				106.0		
SAR 550 - VXm 10/35-ST				2"	120.0	
SAR 550 - VXm 10/50-ST				2"	121.0	
SAR 550 - BCm10/50-ST				2"	122.0	
SAR 550 - VXm 10/35				1½"	105.0	
SAR 550 - VXm 15/35				1½"	106.0	
SAR 550 - VXm 10/50				2"	DN 75	105.1
SAR 550 - VXm 15/50					108.0	
SAR 550 - VX 15/50				2"	107.0	
SAR 550 - BCm 10/50				2"	109.0	
SAR 550 - BCm 15/50				2"	108.0	
SAR 550 - BC 15/50				2"	106.0	
SAR 550 - TRm 0.75				1¼"	DN 50	135.0
SAR 550 - TRm 1.1						137.5
SAR 550 - TR 1.1						137.0
SAR 550 - TRm 1.5						182.0



Only for VX-ST, BC-ST versions



⁽¹⁾ Male threaded fitting (female for VX-ST and BC-ST)