

Ambulant Toilet Suite



WELS REG#
P Trap: L06708
S Trap: L06709



Scan QR code
to view our
installation notes



PTSAM



N.B: All Britex disabled and ambulant toilet pans are supplied with our Vandal Resistant Closed Front Toilet Seat (black colour unless otherwise specified) to comply with AS1428 Disability Code.

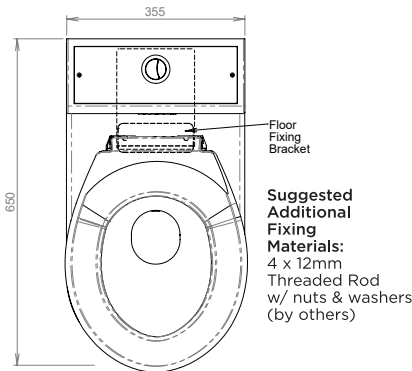
Product Info:

- Conforms to requirements of AS1428:2009
- Highly vandal resistant
- Supplied pre-plumbed (cistern to pan)
- Double-skinned, tamper-resistant cistern casing
- Available with added seat (see pg 60 for options)

To order this item please advise:

- PTSCAMP = Centurion Pan, P Trap
- PTSCAMS = Centurion Pan, S Trap

NB: Seat is supplied to conform to Disability Code. Colour to be nominated. Please refer to pg 60 for seat details.



Suggested Additional Fixing Materials:
4 x 12mm Threaded Rod w/ nuts & washers (by others)

INSTALLATION NOTES

Before installing, consult current installation setout requirements for AS1428.

- 1) Pan is anchored to floor with an offset bracket (supplied).
- 2) Pan is secured to rear wall via 4 fixing holes integral to pan body.
- 3) Suggested fixings required for fixing to wall are 4pcs of 12mm dia. threaded rods with nuts and washers (not supplied).
- 4) Concealed fixings can be accessed by removing panels on sides of toilet pan.
- 5) Access panel screws are hex head type only.
- 6) Pan should be sealed around perimeter after installation is completed.
- 7) A mini-stop can be installed on rear wall within the confines of the suite at approx. 300mm above FFL and 100mm from centre of pan outlet, then connection from mini-stop to 15mm cistern inlet by flexible connector.

