



MXG SK75W

Skid Steer Loader



Air Conditioning
4-in-1 Bucket (with bucket teeth)
Joystick controller
Reverse Camera
ROPS and FOPS

Engine Model: KUBOTA V2403-M-d-FET04
Power: 36.5kW/49HP 2700rpm
Operating Weight: Net Intermittent Power 41.9 kw (56.2 hp)
Bucket Capacity: 2,900kg
0.48m³

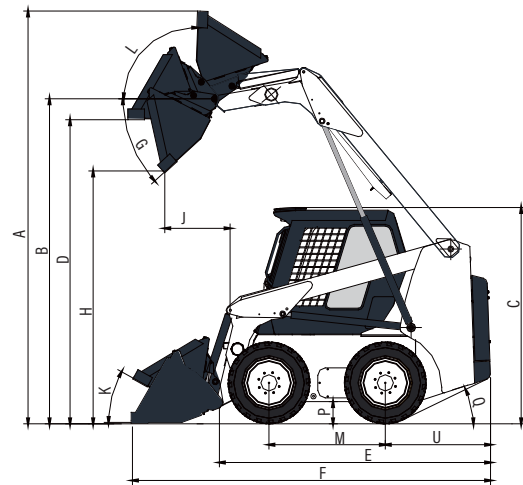
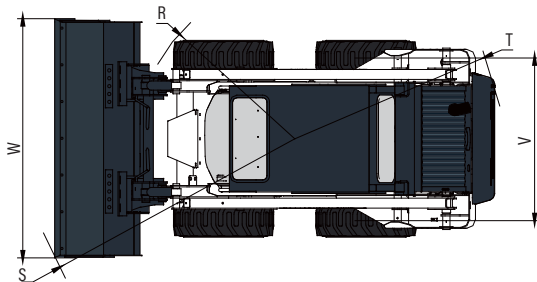
Let's make construction easier

SK75W SPECIFICATIONS

	UNIT	SK75W
MAIN SPECIFICATION		
Engine Model		KUBOTA V2403-M-d-FET04
Emission Standard		Nation II
Rated Power	kW/rpm	36.5/2500
Operating Weight	kg	2900
Rated Payload	kg	899
Bucket Capacity	m ³	0.48
L×W×H	mm	3220×1820×2000
ENGINE SYSTEM		
Engine Model		KUBOTA
Rated Power	kW/hp/rpm	36.5/49/2500
Displacement	L	3.168
Stroke	mm	98
Bore	mm	105
WEIGHTS		
Operating Weight	kg	2900
POWER TRAIN		
Travel Speed -F&R(unload)	km/h	11.5
TIRE		
Tyre		10×16.5
HYDRAULIC SYSTEM		
Hydraulic Flow - Standard	L/min/rpm	74
Loader Hydraulic Pressure	MPa	21
Hydraulic Flow - High Flow	L/min/rpm	-
Loader Hydraulic Pressure	MPa	
OPERATING SPEC		
Rated Payload	kg	899
Tipping Load	kg	1600
Breakout Force	kN	20.3
Traction Force	kN	18.9

SERVICE REFILL CAPACITY		
Chain Box, Each Side	L	9
Cooling System	L	12
Engine Crankcase	L	8
Fuel Tank	L	83
Hydraulic Tank	L	65

DIMENSIONS			
		UNIT	SK75W
A	Max.Operation Height	mm	3750
B	Bucket Pin Height	mm	2920
C	Cab Roof Height	mm	2000
D	Max.Height at Bucket Leveled	mm	2730
E	Length without Attachment	mm	2420
F	Length with Standard Bucket	mm	3220
H	Dumping Height	mm	2260
J	Reach Rollback	mm	640
M	Wheelbase	mm	1050
P	Ground Clearance	mm	210
R	Front Turning Radius without Attachment	mm	1200
S	Front Turning Radius	mm	2010
T	Rear Turning Radius	mm	1520
U	Tail Length	mm	960
V	Center Distance between Two Wheels	mm	1240
W	Bucket Width	mm	1820
G	Dumping Angle at Max.Height	°	40
K	Bucket Angle on Ground	°	28
L	Bucket Rollback Angle At Max.Height	°	94
Q	Start Angle	°	27



* THE SPECIFICATIONS ARE SUBJECT TO CHANGE WITHOUT NOTICE. THE PICTURES MAY INCLUDE OPTIONS. THE ACTUAL COLOR & APPEARANCE OF THE PRODUCT MAY DIFFER FROM WHAT IS SHOWN.

Melbourne:
10-14 Citrus St, Braeside VIC 3195
Sydney:
293 Parramatta Rd, Auburn NSW 2144

Website: www.mxg.com.au
Phone: 1800 834 611
Email: Info@mxg.com.au