

WATER SUPPLY & PRESSURE PUMPS

Jet Pumps

CAM SERIES

AVAILABLE WITH PRESSURE CONTROLLER



APPLICATION

Self-priming centrifugal pump for water supplies (even if mixed with air) in small household systems, connected to pressure tanks, for transferring liquids and emptying tanks; also used for gardening.

CONSTRUCTION FEATURES

Pump body	Cast iron
Motor bracket	Cast iron (CAM 100N÷140 / CAM 150÷300)
Impeller	Noryl® or brass
Mechanical seal	Ceramic-graphite
Motor shaft	Stainless steel AISI 416
Liquid temperature	0 - 50 °C
Operating pressure	Max 7 bar (CAM 100N÷140)

MOTOR

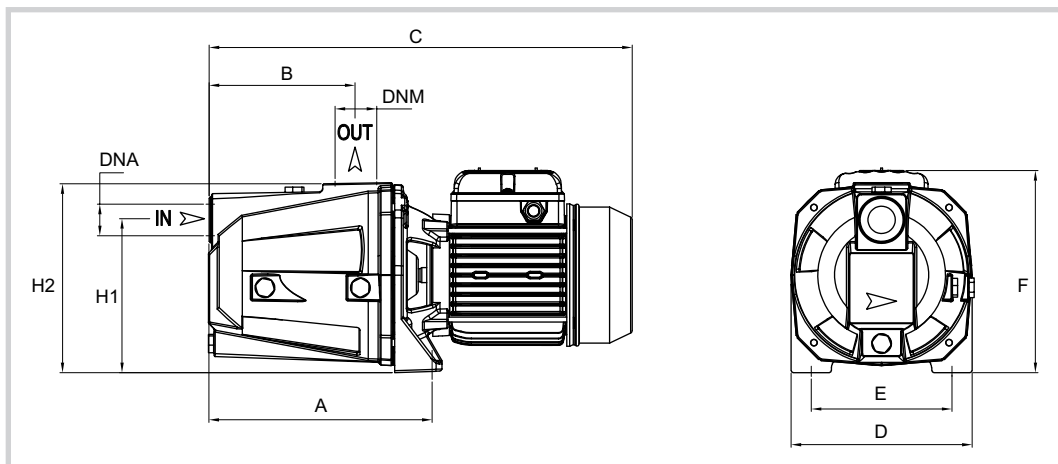
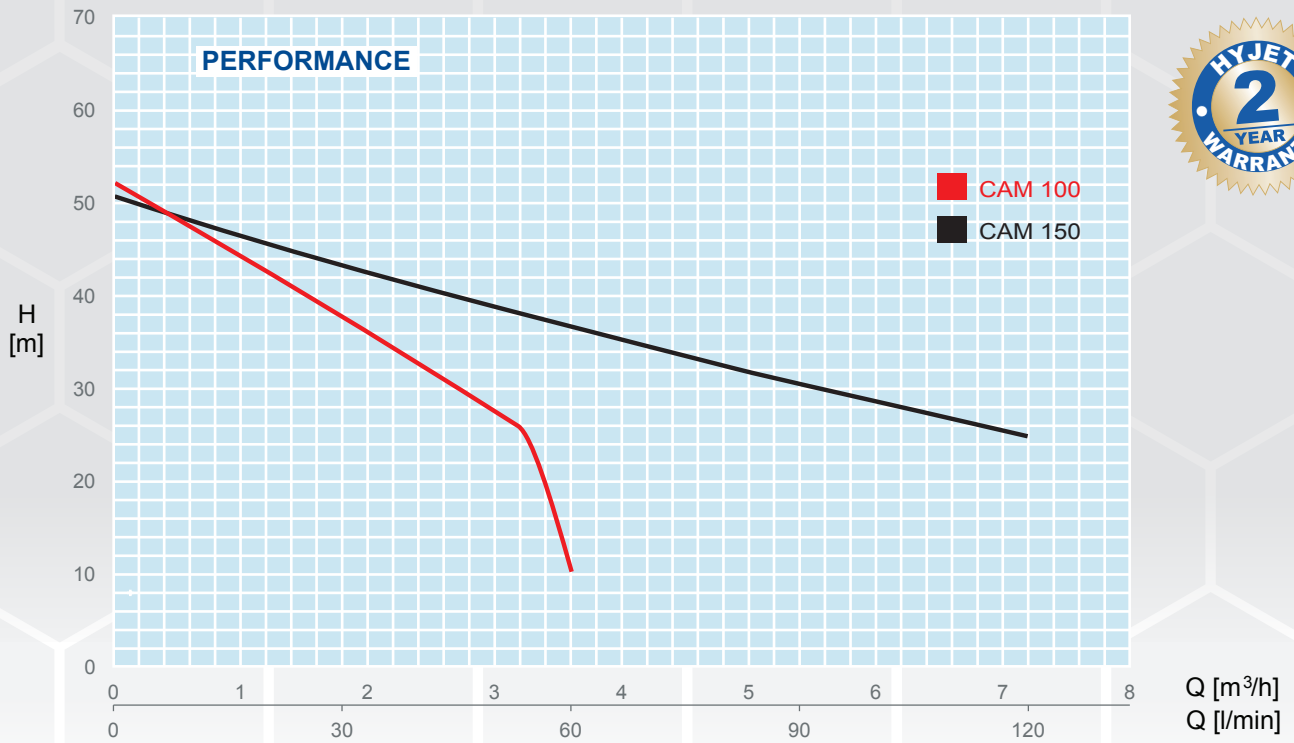
2 Pole induction motor	3~ 240/400V-50Hz, 1~240V 50Hz, With thermal protection
Insulation class	F
Protection degree	IP44

TECHNICAL DATA

Type		P2		P1 (kW)		Ampere		Q (m³/h - l/min)							
1~	3~	(HP)	(kW)	1~	3~	1~	3~	0.6	1.2	1.8	2.4	3.0	3.6	4.2	4.8
						1x230V 50 Hz	3x400V 50 Hz	H (m)							
CAM100	CAMT100	1	0.74	1.02	1.05	4.7	2.3	47	42	37	32	26.7	10	-	-

TECHNICAL DATA

Type		P2		P1 (kW)		Ampere		Q (m³/h - l/min)							
1~	3~	(HP)	(kW)	1~	3~	1~	3~	0	1.2	2.4	3.6	4.8	6	7.2	
						1x230V 50 Hz	3x400V 50 Hz	H (m)							
CAM150	CAMT150	1.5	1.1	1.9	1.8	8.2	3.4	50.7	45.7	41	36.8	32.5	28.5	25	



DIMENSIONS

Type	Dimensions (mm)														Kg
	A	B	C	D	E	F	G	H1	H2	DNA	DNM	I	L	M	
CAM100	230	140	420	180	140	195	-	152	185	1"G	1"G	440	200	225	17
CAM150	269.6	167	506	203	165	220	231.5	175	220	1"1/2G	1"1/4G	520	240	250	26

MODEL RANGE

Code	Description
CAM100-1	HYJET 0.74 KW 240V 70 L/min Cast Iron Jet Pump
CAM150-1	HYJET 1.1 KW 240V 120 L/min Cast Iron Jet Pump
CAM100-1-PC	HYJET 0.74 KW 240V 70 L/min Cast Iron Jet Pump with HPC22 Pressure Controller
CAM150-1-PC	HYJET 1.1 KW 240V 120 L/min Cast Iron Jet Pump with HPC22 Pressure Controller