



## Features:

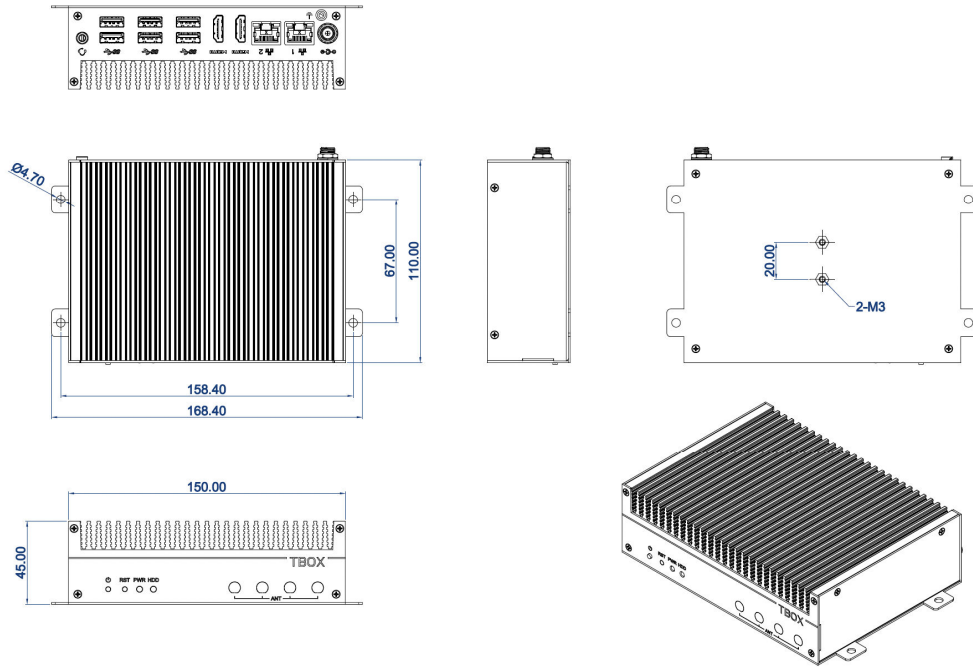
- Rugged, Ultra-small, fanless designed box structure;
- Intel Tiger Lake UP3 Core i7-1165G7 Dual-core processor;
- DC 12V power input, with DC jack;
- Industrial -20 ~ + 60°C operating range;
- 2 GLAN, optional with 3G/4G/5G, and Wi-Fi/BT expansion;
- 6 USB3.0, 2 HDMI, Audio;
- 1 M.2 2230 E-key slot, 1 M.2 3052 B-key slot.



## Specification

<b>System</b>	BIOS	SPI AMI EEI BIOS
	CPU	Intel Core i7-1165G4, Dual-core processor, up to 4.1Ghz
	TDP	15W ( <b>Fixed configuration</b> )
	TPM	Intel PTT TPM2.0
	Memory	SO-DIMM, DDR4-2666/2933/3200Mt/s, Single slot, max. up to 32GB
	Storage	1* M.2 2280 M-Key slot (PCIe Gen.IV x4, NVMe) SSD
	Graphic	Intel UHD Graphics (Up to 48 EUs, 1.25Ghz)
	Network	1* Intel I219, 1* Intel I225, optional Wi-Fi/BT (M.2 E-key 2230), 4G/5G (M.2 Key-B 3042/3052)
	Audio	On-board Realtek ACL897 Audio controller
	Expansion	1* M.2 2230 E-key slot. 1* M.2 3052 key-B slot
	Watchdog	0 ~ 256 seconds programmable
	Operating system	Win10, Win11, Linux
<b>IO interface</b>	Serial port	N/A
	Ethernet	2* RJ45, 10/100/1000 Mbps
	Audio	1* Mic-in/Line-out (2 in 1 Jack)
	USB	6* USB3.0
	Display	2* HDMI
	Power input	DC Jack, lockable 5.5 * 2.5
	GPIO	N/A
<b>Structure</b>	Box structure and surface	Aluminum alloy, anodizing and anti-scratch treatment
	Color	Black
	Mount method	Desktop, wall mount, optional with Din-rail mount
	Cooling system	Finned aluminum heatsinks
	Indicator & Button	Power switch, Power LED, HDD LED
	Dimension	168.40 * 110.00 * 45.00 (mm)
	Net weight	About 0.85 KG
<b>Power &amp; Environmental</b>	Operating temp.	-20 ~ + 60 (°C)
	Storage temp.	-40 ~ + 70 (°C)
	Humidity	10 ~ 95% @ 10C (No condensation)
	Vibration	50 ~ 500 Hz, 1.5G, 0.15mm peak to peak
	Shock	10G/Peak (11 ms)
	Power input	DC 12V
	Power consumption	About 25W
	EMC	CE/FCC Class A

### Dimensions (mm)

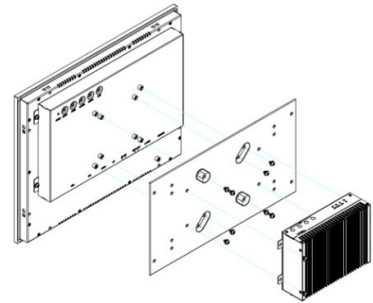
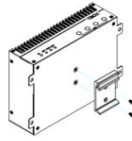
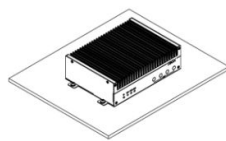


### Installation Scenario

Stand/Wall Mount

DIN-Rail Mount (Optional)

VESA Mount (Optional)



### Ordering information

Part no.	Description
TBOX-11T35	Intel Core i7-1165G7, 2 RJ45, 6 USB3.0, 2 HDMI, Audio, DC 12V (DC Jack), PSU
TBOX-11T15	Intel Core i3-1115G4, 2 RJ45, 6 USB3.0, 2 HDMI, Audio, DC 12V (DC Jack), PSU
TBOX-11T25	Intel Core i5-1135G7, 2 RJ45, 6 USB3.0, 2 HDMI, Audio, DC 12V (DC Jack), PSU
-4G / -8G / -16G / -32G	Memory: SO-DIMM, DDR4, 4GB/8GB/16GB/32GB
-128GS / -256GS / -512GS	M.2 NVMe SSD: 128GB/256GB/512GB
TBOX-WiBlu	Wi-Fi module with BT integrated, with antenna
EM06-E-Pckit	All network 4G module, with Antenna (requires TAA-4252 M.2 adaptor and TBOX-SIMSLOT)
TDRK-BOX1-35	Din 35 mount clip (1 set per unit)

