

CARLISLE®

SPECIALTY TIRE AND WHEEL CATALOG



WWW.CARLISLEBRANDTIRES.COM





WELCOME

To Our Valued Customers:

The Carlstar Group is proud to be your global partner for original equipment and aftermarket specialty tires and wheels. Our product offering spans a wide range of industries from the agriculture, construction, outdoor power equipment, powersports, high speed trailer and flat free/manual markets. The diverse portfolio of solutions are offered under several leading brands including Carlisle® tires and wheels, ITP® tires and wheels, as well as Cragar®, Black Rock® and Unique® wheels and Marastar® manual tires.

The Carlstar Group employs over 3,400 passionate professionals around the globe ready and willing to assist you. With 17 facilities located in 4 countries, we strive to ensure you receive the right products where and when you need them.

This edition of the Carlisle Brand Specialty Tire and Wheel Catalog affords easy access to the latest product information, technical specifications, tread designs and applications. Use these color guides to easily find the product that serves your specialty application.



The Carlstar Group has created a culture of converting great ideas into advanced products and a legacy of excellence in product innovation, quality, and customer service.

For additional information, please visit www.carlislebrandtires.com or contact your Carlstar Representative. We appreciate your continued partnership.



OUTDOOR POWER EQUIPMENT

| | |
|--|-------|
| TURF SAVER® - Turf-friendly market leading design for residential mowing applications. | 6 |
| TURF SAVER® II - Second generation Turf Saver with round shoulder design for residential applications. | 7 |
| TURF TRAC R/S - Versatile turf tire with balanced profile for grounds care and other applications. | 7 |
| TURF MASTER®/MULTI TRAC C/S - Commercial grade performance optimizes stability and traction. | 8 – 9 |
| TURF SMART® - Supreme traction, turf protection and durability for the pro turf maintenance market. | 10 |
| ULTRA TRAC - Ultra high flotation tires. Popular for large grounds maintenance equipment applications. | 10 |
| FAST TRAX® - Unique low profile tire features aggressive tread and great traction. | 11 |
| TURF CTR - Tread lightly with this low impact, round shouldered design. | 11 |
| SMOOTH - Turf-friendly smooth profile for pro mowers and grounds maintenance equipment. | 12 |
| STRAIGHT RIB - Another top turf care design. Great for ZTR, golf and other applications. | 12 |
| AT101 CHEVRON - Special lug with bar design for ZTR drive tires and other applications. | 13 |
| WHEELBARROW - Classic wheelbarrow rib for lawn carts, spreaders and wheelbarrows. | 13 |
| STUD - Versatile stud tread suitable for a variety of rugged applications. | 14 |
| SAWTOOTH® - Functional tread design popular for material handling equipment. | 14 |
| SUPER LUG/POWER TRAC/TRU POWER - Aggressive traction used for tiller and garden tractor applications. | 15 |
| FLAT FREE - Flat free assemblies for lawn and garden, wheelbarrows, hand trucks and lawn mowers. | 16 |
| TOUR MAX® - Upscale choice for golf cars and closed-community vehicles. | 16 |
| TURF GLIDE - A traditional course classic featuring shock absorbing sidewalls and round shoulder profile. | 17 |
| LINKS® - Premium level golf tire product with unmatched stability, durability and puncture resistance. | 17 |
| FAIRWAY PRO - A workhorse value delivering maximum golf course service. | 17 |
| CLASSIC RB - Classic RB is a high load capacity tire with a broad footprint for maximum turf protection. | 17 |
| INDUSTRIAL TRAX - Versatile tire designed for hard surface utility vehicle applications. | 18 |
| SNOW HOG - Snow thrower design with added traction. | 18 |
| XTRAC® - Aggressive tread for snow thrower and other push-behind applications. | 19 |



POWERSPORTS

| | |
|--|----|
| AT489 - A Powersports Industry favorite. The 489 is light, strong and stable. | 22 |
| AT489 II - New generation of the 489 is light, strong and stable. | 23 |
| AT489 XL - Lightweight, rated for exceptional intermediate to hard surface use. | 23 |
| TRAIL WOLF® - Forward traction design with extended wear compound for recreational use. | 24 |
| TRAIL PRO® - Constructed for increased shock absorption that offers a smooth ride under mixed conditions. | 24 |
| A-C-T - Radial construction, All-Conditions-Tire. Deep self-cleaning open tread. | 25 |
| A-C-T HD - Heavy duty All-Conditions-Tire with increased puncture resistance and load capabilities. | 25 |
| STRYKER® - Chevron design all-purpose tire that is work ready and self-cleaning. | 26 |
| TERRATHON® - Versatile all-terrain tire. Excellent for OE replacement. | 26 |
| BADLANDS A/R - Smooth-riding technology with a radial construction. | 27 |
| BADLANDS XTR - A beefed up Badlands radial construction with enhanced handling and traction. | 27 |
| BLACK ROCK® - Built strong and ready for any trail. | 28 |
| BLACK ROCK® M/S - Dominate the mud and snow with its unique tread design. | 28 |
| VERSA TRAIL® - All-purpose utility with tough-tread, durable 6 ply rated construction. | 29 |
| VERSA TRAIL® XTR - Extreme performance for multiple surfaces with reinforced belts. | 29 |
| TURF TAMER - From competitive track to recreation, the Turf Tamer is a longtime favorite. | 29 |
| TRAIL WOLF® SPORT - For the recreational rider offering sport specific front/rear tread designs. | 30 |
| ALL TRAIL® - Excellent for utility on pavement, concrete and hard-packed soil applications. | 30 |
| ALL TRAIL® II - An extension of the All Trail line. Workhorse applications. | 30 |
| HD FIELD TRAX - All around get-it-done field, farm and general outdoor favorite. | 31 |
| KNOBBY - Classic knobby tread design yielding both puncture resistance and traction. | 31 |



TRAILER

| | |
|--|----|
| RADIAL TRAIL® HD - Radial trailer tire offers increased tire life. | 34 |
| ULTRA SPORT RH - Ultra Sport RH features a low profile that provides a high performance look. | 34 |
| SPORT TRAIL® - Bias construction with a radial look. | 35 |
| SPORT TRAIL® LH - Perfect for boat, cargo, horse and stock, utility and specialty trailers. | 36 |
| USA TRAIL® - Complete line of bias products for applications requiring durable performance. | 37 |
| CSL 16 STEEL - Heavy duty hauling capabilities for large equipment and extremely heavy loads. | 37 |



AGRICULTURE / CONSTRUCTION

| | |
|---|---------|
| FARM SPECIALIST® F-2 TRIPLE RIB - Triple rib front for improved steering in loose soil. | 40 |
| FARM SPECIALIST® F-2M QUAD RIB - Quad rib front design. Flotation and variable soil steering. | 40 |
| FARM SPECIALIST® F-3 - Industrial front for front backhoe loaders. | 41 |
| FARM SPECIALIST® FARM IMPLEMENT F-I - Highway Service Implements. | 41 |
| FARM SPECIALIST® HF-1 - Wide flotation implement tire for balers, wagons and harvest equipment. | 42 |
| FARM SPECIALIST® I-1 - Implement tire for wagons, tankers, seeders, balers and other flotation applications. | 42 – 43 |
| TRAC CHIEF® I-3 - Outstanding choice for backhoe applications. Traction implement design. | 43 |
| FARM SPECIALIST® R-1 - Multi-angle long bar tread for general farming applications. | 44 |
| FARM SPECIALIST® R-1-HA - High-angle straight bar tread for classic appearance. | 44 |
| TURF PRO R-3 / TURF PRO PLUS R-3 - Flotation tread design for general turf and mowing applications. | 45 |
| MULTI TRAC CS R-3 - For general turf and mowing applications for minimal ground disturbance. | 45 |
| XTRA GRIP® R-4 - Heavy duty design for backhoe and industrial applications. | 45 |
| WT300® - Turf-friendly compact skid steer tractor design for light duty applications. | 46 |
| USA LOADER® - Aerial platform lifts, backhoes, and skid steer tractor applications. | 46 |
| ULTRA GUARD LVT® - Extreme service skid steer tire with low void tread area. | 46 |
| TRAC CHIEF® - Standard duty skid steer and tractor traction applications. | 47 |
| TRAC CHIEF® XT - Standard duty full traction skid steer designs in extra load ratings. | 47 |
| GUARD DOG® HD - Premium level performance for skid steer and backhoe applications. | 48 |
| ULTRA GUARD® - Severe service skid steer with open shoulder tread design. | 48 |
| ULTRA GUARD® MX - Heavy Duty skid steer tire protects against damage from worksite debris. | 48 |
| CSL SERIES - Large diameter tires designed specifically for Agriculture. | 49 – 53 |



INDUSTRIAL

| | |
|---|----|
| INDUSTRIAL DEEP TRACTION - Standard service application for forklifts. | 56 |
| ROAD ROLLER - Heat resistant design for paving equipment. | 56 |
| INDUSTRIAL ALL PURPOSE - Multi-purpose tire for industrial equipment. | 56 |
| PREMIUM WIDE TRAC - Forklift and material handling applications - premium levels. | 57 |
| GROUND FORCE® ULTRA RIB GSE - Deep tread design with premium compounding for ground support equipment. | 57 |



WHEELS

| | |
|---|---------|
| AG WHEELS - Steel - Boxed | 60 |
| TRAILER WHEELS - Steel and Aluminum Trailer Wheels - Boxed | 60 – 63 |



TUBES AND FLAPS

| | |
|---|---------|
| TUBE FITMENTS & APPLICATIONS | 66 – 73 |
| TUBE STEMS | 73 |

Turf and Lawn

RESIDENTIAL



TURF SAVER® 6



TURF SAVER® II 7



TURF TRAC R/S 7

PROFESSIONAL



TURF MASTER® 8



MULTI-TRAC C/S 8



TURF SMART® 10



ULTRA TRAC 10



FAST TRAX® 11



TURF CTR 11



SMOOTH 12



STRAIGHT RIB 12



AT 101 CHEVRON 13

Chore



WHEELBARROW 13



STUD 14



SAWTOOTH® 14



SUPER LUG 15



POWER TRAC 15



TRU POWER 15



FLAT FREE 16



Golf / Utility



TOUR MAX® 16



TURF GLIDE 17



LINKS® 17



FAIRWAY PRO 17



CLASSIC RB 17



INDUSTRIAL TRAX 18

Snow



SNOW HOG 18



XTRAC® 19



CONSUMER, COMMERCIAL TURF EQUIPMENT, GOLF CARS AND UTILITY VEHICLES

TURF SAVER®

With its classic square shouldered design, the Turf Saver tire is the market leader for residential riding lawn mowers worldwide. The flat profile and chevron tread provide excellent traction. Its turf-friendly design and breadth of line make it versatile in both application and fitment.

| SIZE | PRODUCT CODE | PLY | DIAMETER† | WIDTH† | RIM WIDTH | MAX LOAD @ 10 MPH | MAX PSI | TIRE WEIGHT |
|-------------|----------------|-----|-----------|--------|-----------|-------------------|---------|-------------|
| 9x3.50-4 | 5110111 | 4 | 8.8 | 3.6 | 2.50 | 260 | 50 | 2.0 |
| 4.10-4 | 5110251 | 2 | 10.9 | 3.8 | 2.50 | 225 | 24 | 2.8 |
| 11x4.00-4 | 5110271 | 2 | 11.2 | 4.1 | 2.50 | 215 | 24 | 3.0 |
| 11x4.00-5 | 5110101 | 2 | 10.9 | 4.0 | 3.00 | 210 | 22 | 3.2 |
| 13x5.00-6 | 5110201 | 2 | 12.8 | 4.7 | 3.50 | 290 | 20 | 3.5 |
| 13x5.00-6 | 5110211 | 4 | 13.0 | 4.8 | 3.50 | 440 | 40 | 4.3 |
| 13x6.50-6 | 5111851 | 2 | 13.3 | 6.5 | 4.50 | 320 | 14 | 5.5 |
| 13x6.50-6 | 5111861 | 4 | 13.4 | 6.3 | 4.50 | 480 | 28 | 5.9 |
| 15x6.00-6 | 5110301 | 2 | 14.3 | 6.4 | 4.50 | 365 | 14 | 4.8 |
| 16x6.50-8 | 5110951 | 2 | 16.3 | 6.6 | 5.38 | 380 | 12 | 6.0 |
| 16x6.50-8 | 5110961 | 4 | 16.4 | 6.4 | 5.38 | 615 | 28 | 6.7 |
| 16x7.50-8 | 5112001 | 2 | 16.4 | 7.0 | 5.38 | 480 | 12 | 7.5 |
| 4.80-8 | 5112501 | 2 | 16.5 | 4.8 | 3.75 | 440 | 20 | 5.7 |
| 18x6.50-8 | 5110981 | 2 | 17.2 | 6.4 | 5.38 | 520 | 14 | 6.6 |
| 18x6.50-8 | 5110991 | 4 | 17.2 | 6.5 | 5.38 | 760 | 28 | 8.0 |
| 18x7.50-8 | 5111021 | 4 | 18.0 | 7.2 | 5.38 | 805 | 24 | 9.6 |
| 18x8.50-8 | 5110701 | 2 | 17.9 | 8.2 | 7.00 | 520 | 10 | 9.0 |
| 18x8.50-8 | 5110711 | 4 | 18.2 | 8.2 | 7.00 | 825 | 22 | 10.0 |
| 18x9.50-8 | 5110841 | 2 | 17.8 | 9.5 | 7.00 | 695 | 12 | 10.6 |
| 18x9.50-8 | 6L05011 | 4 | 17.9 | 9.4 | 7.00 | 935 | 20 | 11.1 |
| 18x9.50-8 | 511082 | 6 | 18.5 | 9.5 | 7.00 | 1295 | 36 | 11.5 |
| 20x8.00-8 | 5110801 | 2 | 19.2 | 9.0 | 7.00 | 600 | 10 | 10.3 |
| 20x10.00-8 | 5111011 | 2 | 19.6 | 10.4 | 7.00 | 760 | 10 | 13.5 |
| 20x8.00-10 | 5111111 | 4 | 20.0 | 7.9 | 6.00 | 910 | 24 | 12.3 |
| 20x10.00-10 | 5111161 | 4 | 20.1 | 8.8 | 6.00 | 1225 | 24 | 14.2 |
| 21x7.00-10 | 511140 | 2 | 20.2 | 6.9 | 5.00 | 640 | 12 | 10.5 |
| 22x9.50-12 | 5110511 | 2 | 21.3 | 8.9 | 7.00 | 785 | 12 | 14.1 |
| 23x8.50-12 | 511090 | 2 | 23.1 | 8.5 | 7.00 | 715 | 10 | 13.5 |
| 23x9.50-12 | 511100 | 2 | 23.2 | 9.4 | 7.00 | 920 | 12 | 14.3 |
| 23x10.50-12 | 6L03381 | 2 | 22.8 | 10.4 | 8.50 | 880 | 10 | 17.2 |
| 23x10.50-12 | 6L05031 | 4 | 22.9 | 10.3 | 8.50 | 1320 | 20 | 18.0 |
| 24x12.00-12 | 511075 | 2 | 23.0 | 11.6 | 8.50 | 1140 | 10 | 19.4 |

All Outdoor Power Equipment are Non-Highway Service (NHS) Tires. † Indicates mounted diameter and mounted width



TURF SAVER® II

TURF TRAC R/S

TURF SAVER® II

The Turf Saver II tire is a modified version of the Turf Saver. It features a round shoulder profile and is designed for use on residential riding lawn mowers. It is also commonly used for towable lawn carts, spreaders, sprayers and other mower attachments.

| SIZE | PRODUCT CODE | PLY | DIAMETER† | WIDTH† | RIM WIDTH | MAX LOAD @ 10 MPH | MAX PSI | TIRE WEIGHT |
|-----------|----------------|-----|-----------|--------|-----------|-------------------|---------|-------------|
| 13x5.00-6 | 5112201 | 2 | 12.5 | 4.5 | 3.50 | 290 | 20 | 3.3 |
| 15x6.00-6 | 5112301 | 2 | 14.3 | 5.9 | 4.50 | 365 | 14 | 4.3 |
| 16x6.50-8 | 5112951 | 2 | 16.1 | 6.2 | 5.38 | 410 | 14 | 5.3 |
| 18x8.50-8 | 5112701 | 2 | 17.6 | 8.2 | 7.00 | 520 | 10 | 7.4 |
| 18x9.50-8 | 511284 | 2 | 17.8 | 9.1 | 7.00 | 695 | 12 | 6.6 |
| 20x8.00-8 | 5112801 | 2 | 19.1 | 8.9 | 7.00 | 600 | 10 | 8.8 |

All Outdoor Power Equipment are Non-Highway Service (NHS) Tires.
 † Indicates mounted diameter and mounted width

TURF TRAC R/S

The Turf Trac R/S tire offers all-around best performance in our residential product line. Applications include grounds care equipment, zero turn mowers and utility vehicles.

| SIZE | PRODUCT CODE | PLY | DIAMETER† | WIDTH† | RIM WIDTH | MAX LOAD @ 10 MPH | MAX PSI | TIRE WEIGHT |
|--------------|----------------|-----|-----------|--------|-----------|-------------------|---------|-------------|
| 11x4.00-5 | 5753331 | 2 | 10.6 | 4.0 | 3.00 | 210 | 22 | 2.7 |
| 15x6.00-6 | 5753191 | 4 | 14.4 | 6.3 | 4.50 | 565 | 30 | 6.0 |
| 16x6.50-8 | 6L02651 | 4 | 16.0 | 6.6 | 5.38 | 617 | 28 | 6.4 |
| 18x8.50-8 | 5753311 | 4 | 17.7 | 8.1 | 7.00 | 825 | 22 | 9.9 |
| 20x10.00-8 | 5753411 | 4 | 19.7 | 9.7 | 7.00 | 1200 | 22 | 11.5 |
| 225.x10.00-8 | 5753B71 | 4 | 22.6 | 10.5 | 7.00 | 1390 | 22 | 18.7 |
| 25x12.00-9 | 50D3T7 | 4 | 25.7 | 11.5 | 9.00 | 1820 | 20 | 18.9 |
| 20x10.00-10 | 50D362 | 4 | 19.6 | 9.4 | 8.00 | 1170 | 22 | 12.5 |
| 20x12.00-10 | 5753151 | 4 | 19.8 | 10.1 | 7.00 | 1320 | 20 | 15.8 |
| 22x9.50-10 | 5753N11 | 4 | 21.7 | 9.5 | 7.00 | 975 | 14 | 15.7 |
| 24x9.50-10 | 5753P2 | 4 | 24.3 | 9.8 | 7.75 | 1420 | 22 | 16.4 |
| 24x12.00-10 | 5753A61 | 4 | 24.4 | 11.9 | 7.75 | 1710 | 20 | 22.3 |
| 23x10.50-12 | 5753671 | 4 | 22.6 | 10.4 | 8.50 | 1320 | 20 | 14.1 |
| 24x12.00-12 | 575390 | 6 | 23.3 | 11.0 | 8.50 | 2270 | 32 | 21.4 |
| 26x12.00-12 | 50D363 | 10 | 25.3 | 12.4 | 10.50 | 3300 | 52 | 25.9 |

All Outdoor Power Equipment are Non-Highway Service (NHS) Tires.
 † Indicates mounted diameter and mounted width


TURF MASTER
MULTI-TRAC C/S

TURF MASTER®/ MULTI-TRAC C/S

Turf Master / Multi-Trac C/S professional grade tires feature our most durable compound with deep tread lugs in a profile optimized for stability and traction.

| TIRE | SIZE | PRODUCT CODE | PLY | DIAMETER† | WIDTH† | RIM WIDTH | MAX LOAD @ 10 MPH | MAX PSI | TIRE WEIGHT |
|----------------|-------------|----------------|-----|-----------|--------|-----------|-------------------|---------|-------------|
| Turf Master | 13x6.50-6 | 5112491 | 4 | 13.4 | 6.1 | 4.50 | 480 | 28 | 5.8 |
| Turf Master | 15x6.00-6 | 5112521 | 4 | 14.4 | 6.0 | 4.50 | 565 | 30 | 6.0 |
| Turf Master | 15x6.50-8 | 6L03071 | 4 | 15.0 | 6.2 | 5.38 | 585 | 28 | 6.2 |
| Turf Master | 16x6.50-8 | 5114011 | 4 | 16.5 | 6.3 | 5.38 | 615 | 28 | 7.4 |
| Turf Master | 16x7.50-8 | 5114021 | 4 | 16.5 | 7.0 | 5.38 | 675 | 24 | 8.5 |
| Turf Master | 18x6.50-8 | 5114171 | 4 | 17.4 | 6.4 | 5.38 | 760 | 28 | 7.7 |
| Multi-Trac C/S | 18x7.00-8 | 574351 | 4 | 18.0 | 7.0 | 5.38 | 785 | 26 | 9.0 |
| Turf Master | 18x8.50-8 | 5114041 | 4 | 18.3 | 8.1 | 7.00 | 825 | 22 | 10.7 |
| Multi-Trac C/S | 18x8.50-8 | 574365 | 8 | 17.6 | 8.3 | 7.00 | 1280 | 44 | 14.3 |
| Turf Master | 18x9.50-8 | 5114131 | 4 | 18.1 | 9.2 | 7.00 | 1040 | 24 | 12.4 |
| Multi-Trac C/S | 18x9.50-8 | 574399 | 6 | 18.2 | 9.3 | 7.00 | 1295 | 36 | 12.3 |
| Multi-Trac C/S | 20x8.00-8 | 6L03221 | 2 | 19.2 | 9.0 | 7.00 | 600 | 10 | 10.4 |
| Turf Master | 20x10.00-8 | 5114051 | 4 | 19.9 | 10.3 | 7.00 | 1200 | 22 | 14.7 |
| Multi-Trac C/S | 18x8.50-10 | 5743U11 | 4 | 18.0 | 8.3 | 7.00 | 825 | 22 | 10.7 |
| Multi-Trac C/S | 18x8.50-10 | 6L0174 | 6 | 18.2 | 8.1 | 7.00 | 1050 | 32 | 11.0 |
| Multi-Trac C/S | 18x10.50-10 | 5743E51 | 4 | 17.9 | 10.1 | 8.50 | 995 | 20 | 14.2 |
| Turf Master | 20x7.00-10 | 5114271 | 4 | 20.5 | 7.7 | 6.00 | 910 | 26 | 12.8 |
| Turf Master | 20x8.00-10 | 5114281 | 4 | 20.2 | 8.1 | 6.00 | 910 | 24 | 14.2 |
| Turf Master | 20x10.00-10 | 5114161 | 4 | 20.0 | 8.8 | 6.00 | 1170 | 22 | 13.9 |
| Turf Master | 20x10.00-10 | 6L07411 | 6 | 19.5 | 9.5 | 7.00 | 1430 | 32 | 15.7 |
| Turf Master | 20x12.00-10 | 511257 | 4 | 20.1 | 10.3 | 8.00 | 1320 | 20 | 14.1 |
| Turf Master | 22x10.00-10 | 511256 | 4 | 22.1 | 9.8 | 7.00 | 1360 | 22 | 15.8 |
| Turf Master | 22x11.00-10 | 5112551 | 4 | 21.7 | 10.1 | 7.00 | 1480 | 22 | 15.5 |
| Turf Master | 22x9.50-12 | 5114331 | 4 | 22.0 | 9.2 | 7.00 | 1305 | 24 | 16.3 |
| Turf Master | 23x8.50-12 | 511419 | 4 | 22.9 | 8.4 | 7.00 | 1100 | 22 | 15.6 |
| Multi-Trac C/S | 23x8.50-12 | 574372 | 6 | 22.5 | 8.3 | 7.00 | 1430 | 34 | 18.6 |
| Multi-Trac C/S | 23x9.50-12 | 6L08381 | 4 | 23.0 | 9.2 | 7.00 | 1230 | 20 | 17.0 |
| Turf Master | 23x10.50-12 | 5114081 | 4 | 23.3 | 10.0 | 8.50 | 1390 | 20 | 17.5 |
| Multi-Trac C/S | 23x10.50-12 | 574353 | 6 | 22.5 | 10.2 | 8.50 | 1760 | 32 | 22.6 |
| Turf Master | 24x9.50-12 | 6L08371 | 4 | 23.6 | 9.5 | 7.00 | 1500 | 24 | 17.7 |
| Multi-Trac C/S | 25x9.00-12 | 574368 | 4 | 24.9 | 9.5 | 8.00 | 1520 | 24 | 17.5 |

All Outdoor Power Equipment are Non-Highway Service (NHS) Tires. † Indicates mounted diameter and mounted width



TURF MASTER®/ MULTI-TRAC C/S (continued)

| TIRE | SIZE | PRODUCT CODE | PLY | DIAMETER† | WIDTH† | RIM WIDTH | MAX LOAD @ 10 MPH | MAX PSI | TIRE WEIGHT |
|-----------------|-------------|----------------|-----|-----------|--------|-----------|-------------------|---------|-------------|
| Multi-Trac C/S | 25x11.00-12 | 574369 | 4 | 25.2 | 10.8 | 8.00 | 1825 | 24 | 22.0 |
| Turf Master | 24x12.00-12 | 5114091 | 4 | 23.6 | 11.4 | 8.50 | 1710 | 20 | 22.6 |
| Multi-Trac C/S | 26x9.50-12 | 6L04091 | 4 | 25.5 | 9.3 | 7.00 | 1520 | 20 | 20.8 |
| Multi-Trac C/S | 26x12.00-12 | 5743611 | 4 | 25.4 | 11.4 | 8.50 | 1760 | 20 | 25.5 |
| Multi-Trac C/S | 26x12.00-12 | 5743771 | 6 | 25.6 | 11.5 | 8.50 | 2270 | 30 | 26.6 |
| Multi-Trac C/S | 24x8.50-14 | 574324 | 4 | 23.8 | 8.4 | 7.00 | 1230 | 22 | 17.7 |
| Multi-Trac C/S | 25x8.50-14 | 574339 | 4 | 25.0 | 8.6 | 7.00 | 1320 | 22 | 20.8 |
| Multi-Trac C/S | 25x8.50-14 | 574371 | 6 | 24.9 | 8.6 | 7.00 | 1650 | 32 | 23.9 |
| Multi-Trac C/S* | 27x8.50-15 | 574348 | 4 | 26.6 | 8.5 | 7.00 | 1230 | 30 | 26.2 |
| Multi-Trac C/S* | 27x8.50-15 | 574356 | 6 | 26.6 | 8.6 | 7.00 | 1570 | 45 | 25.9 |
| Multi-Trac C/S* | 27x10.50-15 | 5743H6 | 4 | 26.9 | 10.2 | 8.50 | 1320 | 30 | 30.1 |
| Multi-Trac C/S* | 27x10.50-15 | 560371 | 8 | 27.0 | 10.5 | 8.50 | 1870 | 60 | 32.1 |
| Multi-Trac C/S* | 29x12.50-15 | 560478 | 10 | 29.0 | 12.5 | 10.00 | 2470 | 60 | 39.7 |
| Multi-Trac C/S* | 31x13.50-15 | 560362 | 4 | 31.5 | 13.5 | 10.00 | 1650 | 20 | 46.1 |

All Outdoor Power Equipment are Non-Highway Service (NHS) Tires.

† Indicates mounted diameter and mounted width

*NOTE: Max load @ 30 MPH


TURF SMART
ULTRA TRAC

TURF SMART®

The Turf Smart tire provides traction, turf protection and durability for all of your grounds care needs. Traction is enhanced through an innovative tread design featuring a self-cleaning Groove Ejection System which helps to keep the tread pattern fully engaged with the turf. This provides consistent performance required by grounds care professionals. Used primarily on ZTRs, riding mowers and other grounds care equipment.

| SIZE | PRODUCT CODE | PLY | DIAMETER† | WIDTH† | RIM WIDTH | MAX LOAD @ 10 MPH | MAX PSI | TIRE WEIGHT |
|-------------|----------------|-----|-----------|--------|-----------|-------------------|---------|-------------|
| 18x8.50-8 | 6L01801 | 4 | 18.3 | 8.4 | 7.00 | 825 | 22 | 9.6 |
| 18x8.50-10 | 6L01791 | 4 | 18.0 | 8.0 | 7.00 | 825 | 22 | 10.9 |
| 20x8.00-10 | 6L01781 | 4 | 19.8 | 7.8 | 6.00 | 910 | 24 | 11.0 |
| 20x10.00-8 | 6L01771 | 4 | 20.0 | 9.9 | 7.00 | 1200 | 22 | 12.4 |
| 20x10.00-10 | 6L01761 | 4 | 19.8 | 9.9 | 8.00 | 1170 | 22 | 13.0 |
| 22x11.00-10 | 6L01751 | 4 | 21.9 | 10.4 | 7.00 | 1480 | 22 | 19.0 |
| 22x9.50-12 | 6L0162 | 4 | 21.6 | 9.0 | 7.00 | 1170 | 20 | 15.0 |
| 23x9.50-12 | 6L0161 | 4 | 22.9 | 9.2 | 7.00 | 1230 | 20 | 16.3 |
| 23x10.50-12 | 6L0160 | 4 | 22.8 | 10.5 | 8.50 | 1320 | 20 | 17.2 |
| 24x9.50-12 | 6L0159 | 4 | 23.6 | 9.4 | 7.00 | 1360 | 20 | 17.0 |
| 24x12.00-12 | 6L0055 | 4 | 23.4 | 11.4 | 8.50 | 1710 | 20 | 21.0 |
| 26x12.00-12 | 6L0220 | 4 | 25.8 | 12.2 | 9.50 | 1760 | 20 | 24.8 |

All Outdoor Power Equipment are Non-Highway Service (NHS) Tires.

† Indicates mounted diameter and mounted width

ULTRA TRAC

The Ultra Trac tire is the right approach for those specialized applications where high flotation and turf preservation is essential. With a wide, flat footprint and reduced void in the tread it offers maximum turf protection. Ultra Trac tires are most often utilized on golf and grounds maintenance equipment.

| SIZE | PRODUCT CODE | PLY | DIAMETER† | WIDTH† | RIM WIDTH | MAX LOAD @ 10 MPH | MAX PSI | TIRE WEIGHT |
|---------------|---------------|-----|-----------|--------|-----------|-------------------|---------|-------------|
| 24x13.00-12 | 529368 | 4 | 23.0 | 12.9 | 10.50 | 1760 | 18 | 27.0 |
| 24x13.00-12 | 529387 | 6 | 23.4 | 12.9 | 10.50 | 2270 | 28 | 28.4 |
| 26.5x14.00-12 | 529386 | 4 | 26.5 | 14.4 | 10.50 | 2150 | 18 | 33.3 |
| 29x14.00-15* | 5293E6 | 6 | 28.6 | 14.3 | 11.00 | 1710 | 30 | 47.3 |

All Outdoor Power Equipment are Non-Highway Service (NHS) Tires.

† Indicates mounted diameter and mounted width

*NOTE: Max load @ 30 MPH



FAST TRAX®

The Fast Trax tire offers increased traction combined with a low profile and is typically used on professional riding mowers where hillside traction is desired.

| SIZE | PRODUCT CODE | PLY | DIAMETER† | WIDTH† | RIM WIDTH | MAX LOAD @ 10 MPH | MAX PSI | TIRE WEIGHT |
|-------------|---------------|-----|-----------|--------|-----------|-------------------|---------|-------------|
| 18x11.00-10 | 501043 | 4 | 17.7 | 9.7 | 8.50 | 1100 | 22 | 13.0 |

All Outdoor Power Equipment are Non-Highway Service (NHS) Tires.
 † Indicates mounted diameter and mounted width



TURF CTR

The Turf CTR tire is a broad shouldered, low impact tire used on professional ZTR mowers when treading lightly is critical.

| SIZE | PRODUCT CODE | PLY | DIAMETER† | WIDTH† | RIM WIDTH | MAX LOAD @ 10 MPH | MAX PSI | TIRE WEIGHT |
|------------|---------------|-----|-----------|--------|-----------|-------------------|---------|-------------|
| 22x11.00-8 | 511501 | 4 | 22.4 | 10.8 | 9.00 | 935 | 10 | 14.3 |

All Outdoor Power Equipment are Non-Highway Service (NHS) Tires.
 † Indicates mounted diameter and mounted width



SMOOTH

STRAIGHT RIB

TRANSPORT VEHICLES, RIDING MOWERS, GARDEN TRACTORS, FARM EQUIPMENT AND WHEELBARROWS
SMOOTH

Commonly used on front swivel casters for professional ZTR mowers, the Smooth tire has tapered edges to facilitate easy swivel action without turf damage. The Smooth tire contains specially formulated rubber compounds for professional grade durability.

| SIZE | PRODUCT CODE | PLY | DIAMETER† | WIDTH† | RIM WIDTH | MAX LOAD @ 10 MPH | MAX PSI | TIRE WEIGHT |
|-------------|----------------|-----|-----------|--------|-----------|-------------------|---------|-------------|
| 8x3.00-4 | 5120081 | 4 | 8.2 | 2.9 | 2.50 | 120 | 30 | 1.6 |
| 9x3.50-4 | 5120101 | 4 | 8.9 | 3.7 | 2.50 | 260 | 50 | 2.5 |
| 11x4.00-5 | 5120111 | 4 | 11.2 | 4.1 | 3.50 | 330 | 46 | 2.9 |
| 11x6.00-5 | 5100521 | 4 | 11.1 | 5.2 | 3.25 | 450 | 42 | 4.4 |
| 13x5.00-6 | 5120211 | 4 | 12.7 | 4.8 | 3.50 | 440 | 40 | 4.2 |
| 13x6.50-6 | 5121861 | 4 | 12.9 | 5.9 | 4.50 | 480 | 28 | 5.0 |
| 4.80-8 | 5120511 | 4 | 16.8 | 4.8 | 3.75 | 760 | 70 | 4.2 |
| 18x9.50-8 | 5109811 | 4 | 17.8 | 9.3 | 7.00 | 1020 | 24 | 11.0 |
| 18x10.50-10 | 6L0149 | 4 | 18.4 | 9.3 | 8.00 | 1100 | 24 | 13.2 |
| 20x10.00-10 | 586325 | 2 | 19.5 | 9.5 | 8.50 | 815 | 12 | 12.9 |
| 24x13.00-12 | 510710 | 4 | 23.7 | 13.1 | 10.50 | 1730 | 18 | 28.8 |

All Outdoor Power Equipment are Non-Highway Service (NHS) Tires.

† Indicates mounted diameter and mounted width

STRAIGHT RIB

The Straight Rib tire is designed with tread grooves to channel moisture away from the contact patch and provides a slight lateral traction which can be helpful when traversing mild inclines.

| SIZE | PRODUCT CODE | PLY | DIAMETER† | WIDTH† | RIM WIDTH | MAX LOAD @ 10 MPH | MAX PSI | TIRE WEIGHT |
|--------------|----------------|-----|-----------|--------|-----------|-------------------|---------|-------------|
| 11x4.00-4 | 5110921 | 4 | 10.4 | 4.1 | 2.50 | 330 | 46 | 3.4 |
| 11x4.00-5 | 5180111 | 4 | 11.1 | 4.2 | 3.00 | 330 | 46 | 3.3 |
| 13x5.00-6 | 5180211 | 4 | 12.8 | 4.7 | 3.50 | 440 | 40 | 4.1 |
| 13x6.50-6 | 5181861 | 4 | 13.0 | 5.9 | 4.50 | 480 | 28 | 5.0 |
| 15x6.00-6 | 5180311 | 4 | 14.4 | 6.1 | 4.50 | 565 | 30 | 5.9 |
| 16x6.50-8 | 5180961 | 4 | 16.0 | 6.5 | 5.38 | 615 | 28 | 6.7 |
| 18x9.50-8 | 518081 | 4 | 17.7 | 9.3 | 7.00 | 1020 | 24 | 9.8 |
| 20x10.00-10* | 5181161 | 4 | 20.0 | 8.8 | 6.00 | 1170 | 22 | 14.1 |
| 26x12.00-12 | 518711 | 4 | 25.0 | 11.7 | 10.50 | 1760 | 20 | 20.7 |

All Outdoor Power Equipment are Non-Highway Service (NHS) Tires.

† Indicates mounted diameter and mounted width

*NOTE: The 20x10.0-10.0 is called a Turf Glide tire.



AT101 CHEVRON

AT101 Chevron is a specialty lug design with bars that taper in the shoulder area. This feature, along with muted lug depth, allows it to be used as a drive tire on zero turn mowers when extra traction is needed.

| SIZE | PRODUCT CODE | PLY | DIAMETER† | WIDTH† | RIM WIDTH | MAX LOAD @ 10 MPH | MAX PSI | TIRE WEIGHT |
|-------------|---------------|-----|-----------|--------|-----------|-------------------|---------|-------------|
| 21x11.00-8 | 599044 | 4 | 21.0 | 10.8 | 8.50 | 1390 | 22 | 17.1 |
| 21x11.00-10 | 599050 | 4 | 20.9 | 10.4 | 8.50 | 1390 | 22 | 15.7 |
| 24x12.00-12 | 560352 | 4 | 24.0 | 12.0 | 9.50 | 1710 | 20 | 22.3 |

All Outdoor Power Equipment are Non-Highway Service (NHS) Tires.
 † Indicates mounted diameter and mounted width



RIDING MOWERS, GARDEN TRACTORS, SNOW THROWERS, TILLERS, ATV'S AND UTILITY VEHICLES

WHEELBARROW

The Wheelbarrow tire is a versatile utility tire. Its rib design provides lateral traction. This tire is an excellent choice for lawn carts, spreaders and wheelbarrows.

| SIZE | PRODUCT CODE | PLY | DIAMETER† | WIDTH† | RIM WIDTH | MAX LOAD @ 10 MPH | MAX PSI | TIRE WEIGHT |
|--------|----------------|-----|-----------|--------|-----------|-------------------|---------|-------------|
| 4.00-6 | 5134371 | 2 | 13.7 | 4.0 | 2.50 | 330 | 30 | 2.3 |
| 4.80-8 | 5134511 | 2 | 15.8 | 3.8 | 2.50 | 550 | 30 | 2.8 |
| 4.80-8 | 5130511 | 4 | 16.5 | 4.6 | 3.75 | 765 | 70 | 4.1 |

All Outdoor Power Equipment are Non-Highway Service (NHS) Tires.
 † Indicates mounted diameter and mounted width


UTILITY CARTS, WHEELBARROWS, PRESSURE WASHERS, GENERATORS, HAND TRUCKS, LAWN EQUIPMENT, AND FUN CARTS
STUD

With its aggressive appearance, the Stud tire grips on a multitude of terrains including soft dirt and snow. Commonly used for utility applications, such as hand trucks, power washers and industrial carts.

| SIZE | PRODUCT CODE | PLY | DIAMETER† | WIDTH† | RIM WIDTH | MAX LOAD @ 10 MPH | MAX PSI | TIRE WEIGHT |
|--------|----------------|-----|-----------|--------|-----------|-------------------|---------|-------------|
| 4.10-4 | 5160251 | 2 | 10.6 | 3.6 | 2.50 | 225 | 24 | 2.4 |
| 4.10-5 | 5160301 | 2 | 11.6 | 3.8 | 3.00 | 260 | 24 | 2.5 |
| 4.10-6 | 5160351 | 2 | 12.5 | 3.9 | 3.25 | 290 | 24 | 2.7 |
| 4.80-8 | 5160501 | 2 | 16.4 | 4.7 | 3.75 | 440 | 20 | 4.6 |
| 4.80-8 | 5164291 | 4 | 16.3 | 4.7 | 3.75 | 670 | 42 | 6.1 |

All Outdoor Power Equipment are Non-Highway Service (NHS) Tires.
 † Indicates mounted diameter and mounted width


SAWTOOTH®

The Sawtooth tire delivers smooth rolling performance for utility based equipment. Commonly used for wheelbarrows, pressure washers, generators, hand trucks and lawn equipment, the Sawtooth tire is utilized in various applications.

| SIZE | PRODUCT CODE | PLY | DIAMETER† | WIDTH† | RIM WIDTH | MAX LOAD @ 10 MPH | MAX PSI | TIRE WEIGHT |
|-------------|----------------|-----|-----------|--------|-----------|-------------------|---------|-------------|
| 2.80-4 | 5190011 | 4 | 9.0 | 2.9 | 2.50 | 180 | 50 | 1.6 |
| 4.10-4 | 5190251 | 2 | 10.6 | 3.6 | 2.50 | 225 | 24 | 2.4 |
| 4.10-4 | 5190261 | 4 | 10.6 | 3.7 | 2.50 | 350 | 50 | 2.7 |
| 4.10/3.50-6 | 5190361 | 4 | 13.1 | 4.2 | 3.25 | 495 | 85 | 4.0 |
| 5.30/4.50-6 | 519067 | 6 | 14.6 | 5.3 | 3.50 | 885 | 95 | 5.6 |
| 4.80/4.00-8 | 5190501 | 2 | 16.0 | 4.6 | 3.75 | 510 | 35 | 4.8 |

All Outdoor Power Equipment are Non-Highway Service (NHS) Tires.
 † Indicates mounted diameter and mounted width



RIDING MOWERS, GARDEN TRACTORS, SNOW THROWERS, TILLERS, ATV'S AND UTILITY VEHICLES

SUPER LUG, POWER TRAC AND TRU POWER

Super Lug, Power Trac and Tru Power tires are most often found on garden tractors, tillers and trenchers. This powerful line is the right choice whenever the application requires substantial traction.

| TIRE | SIZE | PRODUCT CODE | PLY | DIAMETER [†] | WIDTH [†] | RIM WIDTH | MAX LOAD @ 10 MPH | MAX PSI | TIRE WEIGHT |
|------------|-------------|----------------|-----|-----------------------|--------------------|-----------|-------------------|---------|-------------|
| Super Lug | 13x5.00-6 | 5100201 | 2 | 13.1 | 4.5 | 3.50 | 290 | 20 | 4.0 |
| Super Lug | 14x4.50-6 | 5100251 | 2 | 14.5 | 4.4 | 3.25 | 320 | 20 | 3.9 |
| Super Lug | 16x6.50-8 | 5100961 | 4 | 16.5 | 6.3 | 5.38 | 615 | 28 | 8.1 |
| Power Trac | 4.80-8 | 5109501 | 2 | 16.2 | 4.1 | 2.50 | 440 | 20 | 5.3 |
| Super Lug | 18x9.50-8 | 5100801 | 2 | 18.0 | 8.7 | 7.00 | 695 | 12 | 13.5 |
| Super Lug | 20x10.00-8 | 6L03301 | 4 | 20.1 | 10.0 | 7.00 | 1200 | 22 | 16.7 |
| Tru Power | 18x8.50-10 | 5233111 | 4 | 18.1 | 7.8 | 6.00 | 825 | 22 | 11.5 |
| Tru Power | 6-12 | 5233C3 | 4 | 22.8 | 5.5 | 4.00 | 590 | 28 | 12.8 |
| Tru Power | 23x8.50-12 | 523301 | 4 | 22.6 | 8.3 | 7.00 | 1100 | 22 | 16.3 |
| Tru Power | 23x10.50-12 | 523367 | 4 | 23.3 | 10.4 | 7.00 | 1390 | 20 | 25.4 |
| Tru Power | 26x12.00-12 | 523361 | 4 | 25.6 | 12.3 | 8.50 | 1760 | 20 | 32.4 |
| Tru Power | 26x12.00-12 | 523360 | 8 | 25.6 | 12.3 | 10.50 | 3000 | 42 | 38.4 |
| Tru Power* | 29x12.50-15 | 5233D4 | 6 | 29.3 | 11.6 | 10.00 | 1650 | 30 | 43.6 |
| Tru Power* | 31x15.50-15 | 5233A4 | 8 | 31.4 | 15.1 | 13.00 | 2760 | 45 | 73.5 |

All Outdoor Power Equipment are Non-Highway Service (NHS) Tires.

[†] Indicates mounted diameter and mounted width

*NOTE: Max load at 30 MPH



SUPER LUG

POWER TRAC

TRU POWER


HAND TRUCKS, WHEELBARROWS, TURF AND CHORE APPLICATIONS
FLAT FREE

Carlisle branded flat free full assemblies are made with solid micro-cellular polyurethane material to reduce flat returns. With its flat-free technology, no maintenance is required.

| SIZE | PRODUCT CODE | TREAD | HUB | BEARINGS | DIAMETER†† | WIDTH† | TIRE + WHEEL WEIGHT | WEIGHT CAPACITY | CASE QTY |
|-----------------------|---------------|----------|---------------------------|----------------|------------|--------|---------------------|-----------------|----------|
| Universal Wheelbarrow | 483791 | Ribbed | 3" Centered with Spacers | 5/8" & 3/4" | 14.5 | 3.2 | 6.0 | 300 | 6 |
| Universal Hand Truck | 483811 | Sawtooth | 2.25" Offset with Spacers | 5/8" & 3/4" | 10.3 | 3.2 | 3.8 | 300 | 6 |
| 2.80/2.50-4 | 483871 | Sawtooth | 3" Centered | 1/2" Precision | 8.4 | 3.0 | 3.0 | 275 | 6 |
| 9x3.50-4 | 483831 | Smooth | 4" Centered | 3/4" Bushing | 9.3 | 3.2 | 3.9 | 300 | 6 |
| 4.10/3.50-4 | 483801 | Sawtooth | 2.25" Offset | 5/8" Precision | 10.4 | 3.4 | 4.0 | 300 | 6 |
| 11x4.00-5 | 483821 | Smooth | 5" Centered | 5/8" Bushing | 10.7 | 4.0 | 5.8 | 350 | 6 |
| 4.00-6 | 483771 | Ribbed | 3" Centered | 5/8" Precision | 13.2 | 3.2 | 5.1 | 300 | 6 |
| 13x5.00-6 | 483851 | Turf | 3" Centered | 3/4" Bushing | 13.3 | 4.5 | 8.1 | 400 | 3 |
| 13x6.50-6 | 483841 | Turf | 3" Centered | 3/4" Bushing | 13.5 | 6.2 | 11.5 | 400 | 3 |
| 15x6.50-6 | 483861 | Turf | 3" Centered | 3/4" Bushing | 14.0 | 6.3 | 12.1 | 500 | 3 |
| 4.80/4.00-8 | 483761 | Ribbed | 6" Centered | 5/8" Precision | 15.5 | 3.4 | 8.1 | 500 | 6 |
| 4.80/4.00-8 | 483781 | Ribbed | 3" Centered | 3/4" Precision | 15.5 | 3.4 | 8.0 | 500 | 6 |

All Outdoor Power Equipment are Non-Highway Service (NHS) Tires.

† Indicates mounted diameter and mounted width

†† Indicates overall diameter

GOLF CARS AND UTILITY VEHICLES
TOUR MAX®

The Tour Max tire is a smooth riding tire designed primarily for golf cars and closed community vehicles. The tread pattern, rubber compound and tire construction provide durability as well as ride comfort on hard surface paths.

| SIZE | PRODUCT CODE | PLY | DIAMETER† | WIDTH† | RIM WIDTH | MAX LOAD @ 10 MPH | MAX PSI | TIRE WEIGHT |
|-------------|----------------|------|-----------|--------|-----------|-------------------|---------|-------------|
| 18x8.50-8 | 6L02221 | 4 | 17.7 | 8.4 | 7.00 | 825 | 22 | 9.9 |
| 18.5x8.50-8 | 5191481 | LR B | 18.1 | 8.1 | 7.00 | 675 | 30 | 11.7 |
| 205/50-10 | 5191461 | LR B | 18.7 | 7.6 | 7.00 | 675 | 30 | 11.8 |

All Outdoor Power Equipment are Non-Highway Service (NHS) Tires. † Indicates mounted diameter and mounted width



TURF GLIDE

One of the original golf car tires, the Turf Glide tire has a tall sidewall to absorb impact and a turf-friendly round contour profile.

| SIZE | PRODUCT CODE | PLY | DIAMETER† | WIDTH† | RIM WIDTH | MAX LOAD @ 10 MPH | MAX PSI | TIRE WEIGHT |
|----------|---------------|-----|-----------|--------|-----------|-------------------|---------|-------------|
| 8.00-6 * | 508040 | 4 | 17.6 | 7.1 | 3.25 | 410 | 20 | 8.0 |

All Outdoor Power Equipment are Non-Highway Service (NHS) Tires. † Indicates mounted diameter and mounted width *NOTE: Turf Glide is a Tube Type (TT) Tire.

LINKS®

The Links tire is a premier tire for the golf car market featuring a wide footprint, strong sidewall and wear-resistant rubber compound providing unmatched stability and durability.

| SIZE | PRODUCT CODE | PLY | DIAMETER† | WIDTH† | RIM WIDTH | MAX LOAD @ 10 MPH | MAX PSI | TIRE WEIGHT |
|-----------|----------------|-----|-----------|--------|-----------|-------------------|---------|-------------|
| 18x8.50-8 | 5192711 | 4 | 17.4 | 8.6 | 7.00 | 825 | 22 | 11.7 |

All Outdoor Power Equipment are Non-Highway Service (NHS) Tires. † Indicates mounted diameter and mounted width



Tour Max

Turf Glide

Links

Fairway Pro

FAIRWAY PRO

The Fairway Pro tire is an excellent value providing long hours of dependable performance on the course or park grass.

| SIZE | PRODUCT CODE | PLY | DIAMETER† | WIDTH† | RIM WIDTH | MAX LOAD @ 10 MPH | MAX PSI | TIRE WEIGHT |
|-----------|----------------|-----|-----------|--------|-----------|-------------------|---------|-------------|
| 18x8.50-8 | 5189761 | 4 | 18.2 | 8.4 | 7.00 | 825 | 22 | 11.5 |

All Outdoor Power Equipment are Non-Highway Service (NHS) Tires. † Indicates mounted diameter and mounted width

CLASSIC RB

Classic RB is a high load capacity tire with a broad footprint for maximum turf protection.

| SIZE | PRODUCT CODE | PLY | DIAMETER† | WIDTH† | RIM WIDTH | MAX LOAD @ 10 MPH | MAX PSI | TIRE WEIGHT |
|-----------|---------------|-----|-----------|--------|-----------|-------------------|---------|-------------|
| 18x9.50-8 | 5832D8 | 10 | 17.6 | 8.7 | 7.00 | 1780 | 60 | 13.4 |

All Outdoor Power Equipment are Non-Highway Service (NHS) Tires. † Indicates mounted diameter and mounted width


HARD SURFACE UTILITY VEHICLE
INDUSTRIAL TRAX

The Industrial Trax tire is designed for hard surface utility vehicle applications such as concession vehicles on golf courses.

| SIZE | PRODUCT CODE | PLY | DIAMETER† | WIDTH† | RIM WIDTH | MAX LOAD @ 10 MPH | MAX PSI | TIRE WEIGHT |
|-------------|---------------|-----|-----------|--------|-----------|-------------------|---------|-------------|
| 20x10.00-10 | 599581 | 4 | 20.0 | 10.0 | 8.00 | 1170 | 22 | 13.7 |
| 23x10.50-12 | 599045 | 4 | 22.5 | 10.4 | 8.50 | 1340 | 20 | 21.8 |
| 25x8.50-12 | 560445 | 6 | 24.8 | 8.5 | 7.00 | 1650 | 30 | 19.0 |
| 25x10.50-12 | 560446 | 6 | 25.0 | 10.5 | 7.00 | 1980 | 30 | 29.2 |

All Outdoor Power Equipment are Non-Highway Service (NHS) Tires.
 † Indicates mounted diameter and mounted width


SNOW HOG

With its distinctive "X" shaped tread elements, the Snow Hog tire has an aggressive design made to plow through soft terrain. Used primarily for snow-blowers.

| SIZE | PRODUCT CODE | PLY | DIAMETER† | WIDTH† | RIM WIDTH | MAX LOAD @ 10 MPH | MAX PSI | TIRE WEIGHT |
|-----------|----------------|-----|-----------|--------|-----------|-------------------|---------|-------------|
| 4.10-4 | 5170041 | 2 | 11.0 | 3.7 | 2.50 | 225 | 24 | 2.8 |
| 4.10-6 | 5170051 | 2 | 12.8 | 4.0 | 3.25 | 290 | 24 | 3.2 |
| 15x5.00-6 | 5170081 | 2 | 14.8 | 5.0 | 3.50 | 405 | 20 | 4.8 |
| 4.80-8 | 5170011 | 2 | 16.2 | 4.7 | 3.75 | 440 | 20 | 5.5 |
| 16x6.50-8 | 5170021 | 2 | 16.4 | 6.2 | 5.38 | 410 | 14 | 6.2 |
| 18x6.50-8 | 5170101 | 4 | 17.2 | 6.6 | 5.38 | 760 | 28 | 7.6 |

All Outdoor Power Equipment are Non-Highway Service (NHS) Tires.
 † Indicates mounted diameter and mounted width



RIDING MOWERS, GARDEN TRACTORS, SNOW THROWERS, TILLERS, ATV'S AND UTILITY VEHICLES

XTRAC®

The XTRAC tire is excellent for snow throwing equipment and other applications requiring aggressive traction. It features a unique lug design for traction across the entire face of the tire.

| SIZE | PRODUCT CODE | PLY | DIAMETER† | WIDTH† | RIM WIDTH | MAX LOAD @ 10 MPH | MAX PSI | TIRE WEIGHT |
|-----------|----------------|-----|-----------|--------|-----------|-------------------|---------|-------------|
| 13x4.00-6 | 5170151 | 2 | 12.8 | 4.0 | 3.25 | 280 | 22 | 3.5 |
| 13x5.00-6 | 5170161 | 2 | 12.9 | 4.7 | 3.50 | 290 | 20 | 4.6 |
| 15x5.00-6 | 5170171 | 2 | 14.6 | 5.1 | 3.50 | 395 | 20 | 5.3 |
| 4.80-8 | 5170111 | 2 | 16.6 | 4.7 | 3.75 | 440 | 20 | 5.8 |
| 16x6.50-8 | 5170181 | 2 | 16.4 | 6.0 | 5.38 | 410 | 14 | 7.0 |

All Outdoor Power Equipment are Non-Highway Service (NHS) Tires.
 † Indicates mounted diameter and mounted width

All Purpose



AT489 22



AT489 II 23



AT489 XL 23



TRAIL WOLF® 24



TRAIL PRO® 24



A-C-T 25



A-C-T HD 25



STRYKER® 26



TERRATHON® 26



BADLANDS A/R 27



BADLANDS XTR 27

Mud



BLACK ROCK® 28



BLACK ROCK® M/S 28





Sport / Performance



VERSA TRAIL® 29



VERSA TRAIL® XTR 29



TURF TAMER 29



FRONT

TRAIL WOLF® SPORT 30



REAR

TRAIL WOLF® SPORT 30

Hard Packed Turf



ALL TRAIL® 30



ALL TRAIL® II 30



HD FIELD TRAX 31



KNOBBY 31




UTILITY VEHICLES, SIDE BY SIDE VEHICLES
AT489

The AT489 tire is a popular original equipment replacement tire and strikes a great balance between lightweight and puncture resistance. It has outstanding grip on loose terrain without giving up the comfortable ride on hard-packed surfaces, soft surfaces and mud.

| SIZE | PRODUCT CODE | STAR/PLY | DIAMETER† | WIDTH† | RIM WIDTH | MAX LOAD @ 50 MPH | MAX PSI | TIRE WEIGHT | TREAD DEPTH (32nds) |
|-----------------|---------------|----------|-----------|--------|-----------|-------------------|---------|-------------|---------------------|
| 22X9.50-10 NHS | 5793N1 | 4 PR | 22.1 | 9.6 | 7.00 | 585 | 14 | 15.8 | 19 |
| AT22X11.00-10 | 5893V0 | 2* | 22.0 | 11.1 | 8.00 | 330 | 5 | 15.8 | 19 |
| 22X11.00-10 NHS | 5893H5 | 4 PR | 22.0 | 10.0 | 8.00 | 620 | 12 | 16.0 | 19 |
| AT23X7.00-10 | 5893M0 | 2* | 23.0 | 7.0 | 6.00 | 240 | 5 | 11.6 | 19 |
| AT23X10.00-10 | 589327 | 3* | 23.4 | 9.5 | 8.00 | 375 | 7 | 17.1 | 19 |
| AT23X8.00-11 | 589304 | 3* | 23.5 | 7.5 | 6.50 | 290 | 7 | 14.1 | 19 |
| 24X12.00-10 NHS | 5793A6 | 4 PR | 24.0 | 12.0 | 9.50 | 1020 | 20 | 22.7 | 19 |
| 24x9.50-10 NHS | 5793P2 | 4 PR | 24.2 | 9.6 | 7.80 | 870 | 22 | 17.8 | 19 |
| 24X10.50-10 NHS | 5793N9 | 4 PR | 24.4 | 10.5 | 7.80 | 730 | 14 | 19.3 | 19 |
| AT24X11.00-10 | 589305 | 3* | 24.3 | 9.8 | 9.00 | 440 | 7 | 17.0 | 19 |
| AT25X11.00-10 | 589308 | 3* | 25.1 | 10.6 | 9.00 | 455 | 7 | 19.8 | 19 |
| AT24X8.00-11 | 589332 | 3* | 24.2 | 8.6 | 6.50 | 320 | 7 | 17.3 | 19 |
| AT24X9.00-11 | 5893A9 | 3* | 24.3 | 9.1 | 7.50 | 365 | 7 | 17.2 | 19 |
| AT24X10.00-11 | 589328 | 3* | 24.6 | 9.6 | 8.00 | 395 | 7 | 17.9 | 19 |
| AT23X8.00-12 | 589329 | 3* | 23.1 | 7.4 | 6.50 | 280 | 7 | 13.1 | 19 |
| AT23X10.00-12 | 589330 | 3* | 23.4 | 9.1 | 8.00 | 365 | 7 | 16.7 | 19 |
| AT24X8.00-12 | 589337 | 3* | 24.2 | 8.0 | 6.50 | 310 | 7 | 13.8 | 19 |
| 24x8.00-12 NHS | 6P0472 | 4 PR | 24.7 | 7.5 | 6.50 | 715 | 22 | 14.0 | 19 |
| AT24X9.00-12 | 589342 | 2* | 23.8 | 8.9 | 8.00 | 265 | 5 | 16.5 | 19 |
| 24x9.00-12 NHS | 6P0473 | 4 PR | 24.7 | 8.3 | 7.00 | 760 | 20 | 16.6 | 19 |
| AT24X11.00-12 | 589344 | 3* | 24.0 | 10.9 | 9.00 | 430 | 7 | 20.3 | 19 |
| 25X8.00-12 NHS | 589306 | 4 PR | 25.3 | 7.4 | 6.00 | 495 | 10 | 14.1 | 19 |
| 25X8.00-12 NHS | 589359 | 4 PR | 25.3 | 7.6 | 6.50 | 785 | 22 | 14.3 | 19 |
| 25X10.00-12 NHS | 589335 | 4 PR | 25.3 | 9.0 | 8.00 | 600 | 10 | 16.8 | 19 |
| 25X10.00-12 NHS | 560416 | 4 PR | 25.8 | 9.1 | 8.00 | 1005 | 24 | 18.9 | 19 |
| 25X11.00-12 NHS | 589351 | 4 PR | 25.4 | 10.2 | 8.00 | 1050 | 22 | 20.1 | 19 |
| 25X11.00-12 NHS | 560414 | 4 PR | 25.5 | 10.5 | 8.00 | 1050 | 22 | 21.2 | 19 |
| AT26X10.00-12 | 589336 | 2* | 25.7 | 9.8 | 8.00 | 385 | 5 | 18.8 | 19 |

NHS tires are Non-Highway Service Tires. "AT" tires are designed for ATV applications. "NHS" tires are designed for Utility Vehicle applications.

† Indicates mounted diameter and mounted width

*NOTE: "AT" tires are Star Rated. "NHS" tires are Ply Rated (PR).



AT 489 II

AT 489 XL



AT489 II

The AT489 II tire is the next generation of the original AT489. It features dependable performance for a wide range of terrain conditions like soft to intermediate surfaces. Made in the USA.

| SIZE | PRODUCT CODE | STAR/PLY | DIAMETER† | WIDTH† | RIM WIDTH | MAX LOAD @ 50 MPH | MAX PSI | TIRE WEIGHT | TREAD DEPTH (32nds) |
|-----------------|---------------|----------|-----------|--------|-----------|-------------------|---------|-------------|---------------------|
| AT26X8.00-14 | 560565 | 3* | 26.0 | 7.8 | 6.00 | 355 | 7 | 16.6 | 20 |
| AT26X10.00-14 | 560568 | 3* | 26.3 | 9.8 | 8.00 | 430 | 7 | 21.9 | 20 |
| 27X9.00-12 NHS | 6P0371 | 6 PR | 27.2 | 9.0 | 7.00 | 1230 | 32 | 21.0 | 20 |
| 27X11.00-12 NHS | 6P0372 | 6 PR | 27.4 | 11.4 | 9.00 | 1520 | 34 | 29.9 | 20 |

NHS tires are Non-Highway Service Tires. "AT" tires are designed for ATV applications. "NHS" tires are designed for Utility Vehicle applications.

† Indicates mounted diameter and mounted width

*NOTE: "AT" tires are Star Rated. "NHS" tires are Ply Rated (PR).



AT489 XL

The AT489 XL tire is the heavy duty version of the original AT 489. It is an excellent choice for intermediate to hard surface use featuring a 3/4 inch lug depth and lightweight construction. Made in the USA.

| SIZE | PRODUCT CODE | STAR/PLY | DIAMETER† | WIDTH† | RIM WIDTH | MAX LOAD @ 50 MPH | MAX PSI | TIRE WEIGHT | TREAD DEPTH (32nds) |
|-----------------|---------------|----------|-----------|--------|-----------|-------------------|---------|-------------|---------------------|
| AT25X8.00-12 | 560490 | 3* | 25.3 | 7.6 | 6.50 | 340 | 7 | 16.0 | 23 |
| AT25X11.00-12 | 560491 | 3* | 25.5 | 10.8 | 9.00 | 455 | 7 | 21.1 | 23 |
| AT26X8.00-12 | 560480 | 3* | 26.1 | 7.8 | 6.50 | 375 | 7 | 17.8 | 23 |
| AT26X9.00-12 | 560460 | 3* | 26.0 | 8.9 | 7.00 | 410 | 7 | 18.9 | 23 |
| 26x9.00-12 NHS | 560570 | 4 PR | 27.0 | 8.8 | 7.00 | 1020 | 20 | 19.0 | 23 |
| AT26X11.00-12 | 560461 | 3* | 26.3 | 11.0 | 9.00 | 480 | 7 | 24.5 | 23 |
| 26x11.00-12 NHS | 560571 | 4 PR | 27.0 | 10.8 | 9.00 | 1280 | 22 | 24.7 | 23 |
| AT27X9.00-12 | 560470 | 3* | 27.0 | 8.9 | 7.00 | 440 | 7 | 19.0 | 23 |
| AT27X11.00-12 | 560471 | 3* | 27.3 | 12.1 | 8.00 | 495 | 7 | 24.9 | 23 |

NHS tires are Non-Highway Service Tires. "AT" tires are designed for ATV applications. "NHS" tires are designed for Utility Vehicle applications.

† Indicates mounted diameter and mounted width

*NOTE: "AT" tires are Star Rated. "NHS" tires are Ply Rated (PR).



TRAIL WOLF

TRAIL PRO



UTILITY VEHICLES, SIDE BY SIDE VEHICLES

TRAIL WOLF®

The Trail Wolf tire features a deep, wrap around tread that promotes forward traction while minimizing lateral slip. Trail Wolf is made with stiff sidewalls that increase cornering control and a compound formulated for extended wear.

| SIZE | PRODUCT CODE | STAR/PLY | DIAMETER [†] | WIDTH [†] | RIM WIDTH | MAX LOAD @ 50 MPH | MAX PSI | TIRE WEIGHT | TREAD DEPTH (32nds) |
|-----------------|----------------|----------|-----------------------|--------------------|-----------|-------------------|---------|-------------|---------------------|
| AT19x7.00-8 | 5370371 | 1* | 19.0 | 6.8 | 5.50 | 143 | 4 | 8.1 | 9 |
| AT19x8.00-8 | 537038 | 1* | 19.0 | 7.1 | 6.00 | 161 | 4 | 9.0 | 8 |
| AT20x7.00-8 | 5370391 | 1* | 19.5 | 6.9 | 5.50 | 157 | 4 | 8.7 | 9 |
| AT20x11.00-9 | 537034 | 3* | 20.2 | 10.5 | 9.00 | 340 | 7 | 12.7 | 16 |
| AT22x10.00-9 | 537055 | 3* | 21.7 | 10.7 | 9.00 | 355 | 7 | 15.8 | 16 |
| AT25x12.00-9 | 537082 | 3* | 26.0 | 12.0 | 10.00 | 495 | 7 | 24.5 | 16 |
| 20X11.00-10 NHS | 510015 | 4 PR | 20.3 | 10.6 | 9.00 | 760 | 22 | 13.1 | 14 |
| AT21x7.00-10 | 537084 | 3* | 21.5 | 6.8 | 5.50 | 235 | 7 | 12.7 | 16 |
| AT22x7.00-10 | 537048 | 3* | 22.2 | 6.7 | 5.50 | 255 | 7 | 12.5 | 16 |
| AT22x10.00-10 | 537049 | 3* | 23.5 | 9.2 | 8.00 | 355 | 7 | 16.5 | 16 |
| AT25x12.00-10 | 537085 | 3* | 25.0 | 11.8 | 10.00 | 495 | 7 | 20.9 | 15 |
| AT22x7.00-11 | 537054 | 3* | 21.8 | 7.3 | 6.50 | 245 | 7 | 12.8 | 16 |
| 25x8.00-12 NHS | 537062 | 4 PR | 25.9 | 7.5 | 6.50 | 785 | 24 | 16.0 | 16 |
| 25x11.00-12 NHS | 537065 | 4 PR | 26.5 | 9.2 | 8.00 | 1050 | 22 | 20.7 | 16 |

NHS tires are Non-Highway Service Tires. "AT" tires are designed for ATV applications. "NHS" tires are designed for Utility Vehicle applications.
[†] Indicates mounted diameter and mounted width *NOTE: "AT" tires are STAR Rated. "NHS" tires are Ply Rated. (PR).

TRAIL PRO®

The Trail Pro tire is a lightweight, versatile tire that is constructed for better shock absorption and a smoother ride under mixed trail conditions. The non-directional tread pattern provides comfortable cornering, leaving roots and rocks in its track.



| SIZE | PRODUCT CODE | STAR/PLY | DIAMETER [†] | WIDTH [†] | RIM WIDTH | MAX LOAD @ 40 MPH | MAX PSI | TIRE WEIGHT | TREAD DEPTH (32nds) |
|-----------------|---------------|----------|-----------------------|--------------------|-----------|-------------------|---------|-------------|---------------------|
| 25x10.00-12 NHS | 6P0164 | 4 PR | 25.9 | 9.7 | 7.50 | 965 | 22 | 19.8 | 19 |
| 25x8.00-12 NHS | 6P0165 | 4 PR | 25.7 | 8.0 | 6.50 | 935 | 22 | 16.4 | 19 |
| 26x9.00-12 NHS | 6P0205 | 4 PR | 26.7 | 8.8 | 7.00 | 1050 | 20 | 18.8 | 19 |
| 26x11.00-12 NHS | 6P0206 | 4 PR | 26.5 | 11.1 | 8.00 | 1320 | 22 | 23.4 | 19 |

| SIZE | PRODUCT CODE | STAR/PLY | DIAMETER [†] | WIDTH [†] | RIM WIDTH | MAX LOAD @ 50 MPH | MAX PSI | TIRE WEIGHT | TREAD DEPTH (32nds) |
|-----------------|---------------|----------|-----------------------|--------------------|-----------|-------------------|---------|-------------|---------------------|
| 27x9.00-14 NHS | 6P0207 | 6 PR | 27.8 | 8.7 | 7.00 | 1200 | 32 | 20.5 | 19 |
| 27x11.00-14 NHS | 6P0208 | 6 PR | 27.6 | 10.6 | 8.00 | 1480 | 34 | 25.3 | 19 |

NHS tires are Non-Highway Service Tires. "AT" tires are designed for ATV applications. "NHS" tires are designed for Utility Vehicle applications.
[†] Indicates mounted diameter and mounted width



A-C-T

A-C-T HD

**UTILITY VEHICLES, SIDE BY SIDE VEHICLES****A-C-T**

The A-C-T tire features advanced radial construction to absorb trail hazards and ride disturbances. The radial design increases both traction and ride quality. The A-C-T tire has an aggressive open lug tread pattern with a $\frac{3}{4}$ inch tread depth. Made in the USA.

| SIZE | PRODUCT CODE | STAR/PLY | DIAMETER [†] | WIDTH [†] | RIM WIDTH | MAX LOAD @ 50 MPH | MAX PSI | TIRE WEIGHT | TREAD DEPTH (32nds) |
|-----------------|---------------|----------|-----------------------|--------------------|-----------|-------------------|----------|-------------|---------------------|
| AT25X8.00R12 | 560425 | 3* | 25.0 | 7.8 | 6.50 | 340 | 1 | 16.7 | 24 |
| AT25X11.00R12 | 560426 | 3* | 25.7 | 10.6 | 9.00 | 455 | 1 | 23.3 | 24 |
| 26X8.00R12 NHS | 560441 | 4 PR | 26.3 | 7.9 | 6.50 | 550 | 10 | 17.8 | 24 |
| 26X10.00R12 NHS | 560442 | 4 PR | 26.6 | 10.4 | 8.00 | 640 | 10 | 24.4 | 24 |

NHS tires are Non-Highway Service Tires. "AT" tires are designed for ATV applications. "NHS" tires are designed for Utility Vehicle applications.
[†] Indicates mounted diameter and mounted width *NOTE: "AT" tires are Star Rated. "NHS" tires are Ply Rated (PR).

**A-C-T HD**

The A-C-T HD tire is a 6 ply rated radial tire with higher pressure, load capacities and larger sizes than the original A-C-T tire. This tire features increased carcass strength for less sidewall flex and self-cleaning tread design. Made in the USA.

| SIZE | PRODUCT CODE | STAR/PLY | DIAMETER [†] | WIDTH [†] | RIM WIDTH | MAX LOAD @ 50 MPH | MAX PSI | TIRE WEIGHT | TREAD DEPTH (32nds) |
|-----------------|---------------|----------|-----------------------|--------------------|-----------|-------------------|---------|-------------|---------------------|
| 25X8.00R12 NHS | 560481 | 6 PR | 25.9 | 7.7 | 6.50 | 700 | 18 | 21.0 | 32 |
| 25X11.00R12 NHS | 560482 | 6 PR | 26.2 | 10.1 | 8.00 | 935 | 18 | 26.6 | 32 |
| 26X8.00R12 NHS | 6P0360 | 6 PR | 26.1 | 8.2 | 6.50 | 550 | 10 | 21.7 | 32 |
| 26X9.00R12 NHS | 560465 | 6 PR | 26.7 | 8.6 | 7.00 | 830 | 18 | 25.0 | 32 |
| 26X10.00R12 NHS | 6P0361 | 6 PR | 26.7 | 9.7 | 8.00 | 640 | 10 | 27.3 | 32 |
| 26X11.00R12 NHS | 560466 | 6 PR | 27.2 | 10.0 | 8.00 | 985 | 18 | 29.2 | 32 |
| 27X9.00R12 NHS | 560472 | 6 PR | 27.5 | 8.9 | 7.00 | 890 | 18 | 25.6 | 32 |
| 27X11.00R12 NHS | 560473 | 6 PR | 27.5 | 10.6 | 8.00 | 1045 | 18 | 31.1 | 32 |

NHS tires are Non-Highway Service Tires. "AT" tires are designed for ATV applications. "NHS" tires are designed for Utility Vehicle applications.
[†] Indicates mounted diameter and mounted width



ATVS, UTILITY VEHICLES, SIDE BY SIDE VEHICLES

STRYKER®

The Stryker tire features a unique offset chevron pattern that is self-cleaning with great performance in all terrains. Made in the USA.

| SIZE | PRODUCT CODE | STAR/PLY | DIAMETER† | WIDTH† | RIM WIDTH | MAX LOAD @ 50 MPH | MAX PSI | TIRE WEIGHT | TREAD DEPTH (32nds) |
|----------------|---------------|----------|-----------|--------|-----------|-------------------|---------|-------------|---------------------|
| 22x9.00-10 NHS | 516091 | 4 PR | 22.8 | 9.4 | 6.00 | 675 | 20 | 19.9 | 20 |
| AT22X11.00-8 | 531073 | 2* | 22.8 | 11.1 | 9.00 | 340 | 5 | 21.2 | 19 |
| AT22X11.00-9 | 531065 | 2* | 22.5 | 11.3 | 10.00 | 340 | 5 | 20.7 | 19 |
| AT22X11.00-10 | 531095 | 2* | 22.9 | 10.1 | 8.00 | 330 | 5 | 19.2 | 19 |
| AT25X12.00-9 | 531075 | 2* | 25.2 | 12.2 | 10.00 | 430 | 5 | 26.8 | 19 |

NHS tires are Non-Highway Service Tires. "AT" tires are designed for ATV applications. "NHS" tires are designed for Utility Vehicle applications.

† Indicates mounted diameter and mounted width

*NOTE: "AT" tires are STAR Rated. "NHS" tires are Ply Rated. (PR).



TERRATHON®

The Terrathon tire offers a versatile all terrain, non-directional tread pattern that executes outstanding performance on soft to hard surfaces. Made in the USA.

| SIZE | PRODUCT CODE | STAR/PLY | DIAMETER† | WIDTH† | RIM WIDTH | MAX LOAD @ 50 MPH | MAX PSI | TIRE WEIGHT | TREAD DEPTH (32nds) |
|----------------|---------------|----------|-----------|--------|-----------|-------------------|---------|-------------|---------------------|
| AT26X8.00-14 | 560487 | 3* | 26.0 | 7.7 | 6.00 | 355 | 7 | 18.1 | 15 |
| 26x8.00-14 NHS | 6P0034 | 4 PR | 26.6 | 8.2 | 6.50 | 825 | 22 | 29.0 | 16 |
| AT26X10.00-14 | 560488 | 3* | 26.3 | 9.5 | 8.00 | 430 | 7 | 21.6 | 15 |

NHS tires are Non-Highway Service Tires. "AT" tires are designed for ATV applications. "NHS" tires are designed for Utility Vehicle applications.

† Indicates mounted diameter and mounted width

*NOTE: "AT" tires are STAR Rated. "NHS" tires are Ply Rated. (PR).



UTILITY VEHICLES, SIDE BY SIDE VEHICLES

BADLANDS A/R

Badlands A/R is a rugged ATV tire featuring a 3 ply radial construction with a V-shaped tread pattern. This provides a smooth ride while still offering traction and predictable handling. Made in the USA.

| SIZE | PRODUCT CODE | STAR/PLY | DIAMETER† | WIDTH† | RIM WIDTH | MAX LOAD @ 50 MPH | MAX PSI | TIRE WEIGHT | TREAD DEPTH (32nds) |
|-----------------|---------------|----------|-----------|--------|-----------|-------------------|---------|-------------|---------------------|
| 26X8.00R12 NHS | 530009 | 4 PR | 25.6 | 7.5 | 6.50 | 550 | 10 | 16.6 | 15 |
| 26X10.00R12 NHS | 530008 | 4 PR | 26.6 | 9.2 | 8.00 | 640 | 10 | 19.3 | 15 |

NHS tires are Non-Highway Service Tires. "AT" tires are designed for ATV applications. "NHS" tires are designed for Utility Vehicle applications.

† Indicates mounted diameter and mounted width



BADLANDS XTR

The Badlands XTR is a 6 ply radial tire that absorbs trail hazards with its rugged design. It provides the ultimate smooth ride, traction and predictable handling with its unique X-shaped shoulder lugs to increase grip through corners. Made in the USA.

| SIZE | PRODUCT CODE | STAR/PLY | DIAMETER† | WIDTH† | RIM WIDTH | MAX LOAD @ 50 MPH | MAX PSI | TIRE WEIGHT | TREAD DEPTH (32nds) |
|-------------|---------------|----------|-----------|--------|-----------|-------------------|---------|-------------|---------------------|
| AT255/65R12 | 537067 | 3* | 25.2 | 9.3 | 8.00 | 420 | 7 | 18.3 | 16 |
| AT205/80R12 | 537068 | 3* | 25.1 | 7.5 | 6.50 | 340 | 7 | 15.5 | 16 |
| AT270/60R12 | 537069 | 3* | 25.3 | 10.4 | 8.00 | 455 | 7 | 22.6 | 16 |

NHS tires are Non-Highway Service Tires. "AT" tires are designed for ATV applications. "NHS" tires are designed for Utility Vehicle applications.

† Indicates mounted diameter and mounted width

*NOTE: "AT" tires are Star Rated. "NHS" tires are Ply Rated (PR).



BLACK ROCK®

Designed to balance ride quality with an aggressive 3/4 inch tread depth, the Black Rock tire is built to handle any trail conditions while also providing a smooth ride. Made in the USA.

| SIZE | PRODUCT CODE | STAR/PLY | DIAMETER† | WIDTH† | RIM WIDTH | MAX LOAD @ 50 MPH | MAX PSI | TIRE WEIGHT | TREAD DEPTH (32nds) |
|-----------------|---------------|----------|-----------|--------|-----------|-------------------|---------|-------------|---------------------|
| AT24x9.00-11 | 560530 | 3† | 24.0 | 8.7 | 7.00 | 365 | 7 | 18.3 | 23 |
| AT24x9.00-12 | 560534 | 3* | 24.0 | 8.5 | 7.00 | 365 | 7 | 15.5 | 23 |
| AT25x8.00-12 | 560538 | 3* | 25.3 | 8.0 | 6.50 | 340 | 7 | 22.6 | 23 |
| AT25x10.00-12 | 560540 | 3* | 25.3 | 9.6 | 8.00 | 420 | 7 | 22.2 | 24 |
| AT26x9.00-12 | 560539 | 3* | 26.4 | 9.0 | 7.00 | 410 | 7 | 19.8 | 23 |
| AT26x11.00-12 | 560541 | 3* | 26.2 | 10.4 | 9.00 | 480 | 7 | 23.6 | 24 |
| 27x9.00-14 NHS | 560577 | 6 PR | 27.4 | 8.3 | 6.00 | 910 | 20 | 25.7 | 24 |
| 27x11.00-14 NHS | 560578 | 6 PR | 27.8 | 10.5 | 9.00 | 1170 | 22 | 29.3 | 24 |

NHS tires are Non-Highway Service Tires. "AT" tires are designed for ATV applications. "NHS" tires are designed for Utility Vehicle applications.

† Indicates mounted diameter and mounted width

*NOTE: "AT" tires are Star Rated. "NHS" tires are Ply Rated (PR).

BLACK ROCK® M/S

Equipped with a unique tread design for increased traction and control, the Black Rock M/S tire dominates in the mud and snow. With its formulated "mud spikes" and V-shaped dimples, the Black Rock M/S tire maintains an incredibly smooth ride while dominating in loose, soft and muddy terrain.

| SIZE | PRODUCT CODE | STAR/PLY | DIAMETER† | WIDTH† | RIM WIDTH | MAX LOAD @ 50 MPH | MAX PSI | TIRE WEIGHT | TREAD DEPTH (32nds) |
|-----------------|---------------|----------|-----------|--------|-----------|-------------------|---------|-------------|---------------------|
| 25x8.00-12NHS | 6P0224 | 6 PR | 24.8 | 7.8 | 6.50 | 1020 | 34 | 23.3 | 39 |
| 25x10.00-12 NHS | 6P0225 | 6 PR | 25.0 | 9.5 | 8.00 | 1185 | 32 | 26.6 | 39 |
| 26x9.00-12 NHS | 6P0242 | 6 PR | 26.0 | 8.6 | 7.00 | 1170 | 32 | 27.9 | 39 |
| 26x11.00-12 NHS | 6P0243 | 6 PR | 26.7 | 10.7 | 9.00 | 1430 | 34 | 32.2 | 39 |
| 27x9.00-12 NHS | 6P0244 | 6 PR | 26.6 | 8.8 | 7.00 | 1230 | 32 | 30.0 | 39 |
| 27x11.00-12 NHS | 6P0245 | 6 PR | 27.5 | 10.8 | 9.00 | 1520 | 34 | 34.0 | 39 |
| 28x9.00-14 NHS | 6P0246 | 6 PR | 28.1 | 8.5 | 7.00 | 1280 | 32 | 31.0 | 39 |
| 28x11.00-14 NHS | 6P0247 | 6 PR | 28.7 | 10.9 | 9.00 | 1570 | 34 | 34.0 | 39 |

NHS tires are Non-Highway Service Tires. "AT" tires are designed for ATV applications. "NHS" tires are designed for Utility Vehicle applications.

† Indicates mounted diameter and mounted width



VERSA TRAIL

VERSA TRAIL XTR TURF TAMER

**ATVs, UTILITY VEHICLES, SIDE BY SIDE VEHICLES****VERSA TRAIL®**

The Versa Trail tire is an all-purpose, radial tire that increases terrain versatility and optimizes traction without compromising comfort and handling. Its "Tough-Tread" rubber compound and durable 6-ply rated construction protects against cuts, chips and tread wear to ensure unequalled puncture resistance.

| SIZE | PRODUCT CODE | STAR/PLY | DIAMETER† | WIDTH† | RIM WIDTH | MAX LOAD @ 50 MPH | MAX PSI | TIRE WEIGHT | TREAD DEPTH (32nds) |
|------------------|---------------|----------|-----------|--------|-----------|-------------------|---------|-------------|---------------------|
| 25X8.00R12 NHS | 6P0270 | 6 PR | 24.9 | 8.2 | 6.50 | 1020 | 34 | 22.7 | 23 |
| 25X10.00R12 NHS | 6P0271 | 6 PR | 25.2 | 9.9 | 8.00 | 1200 | 32 | 25.9 | 23 |
| 26X9.00R12 NHS | 6P0272 | 6 PR | 26.4 | 9.1 | 7.00 | 1170 | 32 | 25.3 | 23 |
| 26X11R.00R12 NHS | 6P0273 | 6 PR | 26.7 | 10.8 | 9.00 | 1430 | 34 | 29.2 | 23 |
| 27X9.00R12 NHS | 6P0268 | 6 PR | 27.0 | 9.1 | 7.00 | 1230 | 32 | 25.8 | 23 |
| 27X11.00R12 NHS | 6P0269 | 6 PR | 27.5 | 11.0 | 9.00 | 1520 | 34 | 30.6 | 23 |
| 27X9.00R14 NHS | 6P0274 | 6 PR | 27.0 | 9.0 | 7.00 | 1200 | 32 | 26.6 | 23 |
| 27X11.00R14 NHS | 6P0275 | 6 PR | 27.5 | 11.1 | 8.00 | 1480 | 34 | 31.0 | 23 |
| 28X10.00R14 NHS | 6P0276 | 6 PR | 28.4 | 10.1 | 8.00 | 1390 | 32 | 30.2 | 23 |
| 28X12.00R14 NHS | 6P0277 | 6 PR | 29.0 | 11.2 | 8.00 | 1650 | 32 | 34.0 | 23 |
| 29X10.00R15 NHS | 6P0324 | 6 PR | 29.7 | 9.6 | 7.00 | 1430 | 32 | 32.4 | 23 |

NHS tires are Non-Highway Service Tires. "AT" tires are designed for ATV applications. "NHS" tires are designed for Utility Vehicle applications.
† Indicates mounted diameter and mounted width

VERSA TRAIL® XTR

Expanding on the Versa Trail ATR tire, the Versa Trail XTR tire features more extreme performance and handling on multiple surfaces. With its reinforced belts for unequalled puncture resistance and integrated lug channels for increased traction, the Versa Trail XTR has a larger and more robust product offering for upgraded side-by-sides.



| SIZE | PRODUCT CODE | STAR/PLY | DIAMETER† | WIDTH† | RIM WIDTH | MAX LOAD @ 50 MPH | MAX PSI | TIRE WEIGHT | TREAD DEPTH (32nds) |
|-----------------|---------------|----------|-----------|--------|-----------|-------------------|---------|-------------|---------------------|
| 30x10.00R14 NHS | 6P0871 | 8 | 30.5 | 9.81 | 7 | 1570 | 32 | 39.2 | 24 |
| 32x10.00R14 NHS | 6P0872 | 8 | 32.6 | 10.3 | 7 | 1820 | 32 | 42.5 | 24 |

NHS tires are Non-Highway Service Tires. "AT" tires are designed for ATV applications. "NHS" tires are designed for Utility Vehicle applications.

TURF TAMER

With its lightweight construction, stiff sidewalls and hollowed-out lugs, the Turf Tamer tire provides excellent handling in hard-packed conditions. Formulated for performance, the Turf Tamer tire's wide profile ensures stability around tight corners and traction for a variety of terrains. Made in the USA.



| SIZE | PRODUCT CODE | STAR/PLY | DIAMETER† | WIDTH† | RIM WIDTH | MAX LOAD @ 50 MPH | MAX PSI | TIRE WEIGHT | TREAD DEPTH (32nds) |
|------------------|---------------|----------|-----------|--------|-----------|-------------------|---------|-------------|---------------------|
| AT22.5X10.00-8 | 55U3B9 | 3* | 22.3 | 9.6 | 8.00 | 365 | 7 | 12.9 | 16 |
| 22.5X10.00-8 NHS | 55U3C7 | 4 PR | 23.0 | 9.2 | 8.00 | 825 | 22 | 13.2 | 16 |
| AT25X12.00-9 | 55U373 | 3* | 25.1 | 11.0 | 10.00 | 495 | 7 | 16.7 | 16 |

NHS tires are Non-Highway Service Tires. "AT" tires are designed for ATV applications. "NHS" tires are designed for Utility Vehicle applications. † Indicates mounted diameter and mounted width
*NOTE: "AT" tires are STAR Rated. "NHS" tires are Ply Rated. (PR).



TRAIL WOLF SPORT REAR TRAIL WOLF SPORT FRONT ALL TRAIL ALL TRAIL II



ATVS, UTILITY VEHICLES, SIDE BY SIDE VEHICLES

TRAIL WOLF® SPORT

Designed with a sport-specific tread pattern, the Trail Wolf Sport tire is perfect for any cross-country or recreational rider. Its wrap-around tread and enhanced sidewalls provide increased traction and handling during higher speeds and around tight corners.

| SIZE | PRODUCT CODE | STAR/PLY | DIAMETER† | WIDTH† | RIM WIDTH | MAX LOAD @ 50 MPH | MAX PSI | TIRE WEIGHT | TREAD DEPTH (32nds) |
|--------------|------------------|----------|-----------|--------|-----------|-------------------|---------|-------------|---------------------|
| AT20x10.00-9 | 560496** | 3* | 19.9 | 9.9 | 8.00 | 300 | 7 | 13.6 | 16 |
| AT22x11.00-9 | 560498** | 3* | 21.6 | 11.4 | 9.00 | 395 | 7 | 16.7 | 16 |
| AT21x7.00-10 | 560510*** | 3* | 20.6 | 6.4 | 5.50 | 235 | 7 | 11.2 | 16 |
| AT22x7.00-10 | 560511*** | 3* | 21.4 | 6.5 | 5.50 | 255 | 7 | 11.9 | 16 |

NHS tires are Non-Highway Service Tires. "AT" tires are designed for ATV applications. "NHS" tires are designed for Utility Vehicle applications.
 † Indicates mounted diameter and mounted width *NOTE: "AT" tires are STAR Rated. "NHS" tires are Ply Rated. (PR).
 Indicates rear wheel *Indicates front wheel



ALL TRAIL® / ALL TRAIL® II

The All Trail and All Trail II tire lines are specifically designed for use on hard surface conditions. The low, wide profile reduces soft wallowing chassis roll commonly experienced with other tires while its uniquely tight tread pattern offers a smooth ride experience. The specially formulated compound delivers durable extended tire life with responsive, predictable and level handling on pavement, concrete and hard-packed soil. Made in the USA.

| SIZE | PRODUCT CODE | STAR/PLY | DIAMETER† | WIDTH† | RIM WIDTH | MAX LOAD @ 50 MPH | MAX PSI | TIRE WEIGHT | TREAD DEPTH (32nds) |
|--------------------|---------------|----------|-----------|--------|-----------|-------------------|---------|-------------|---------------------|
| 20X10.00-8 NHS | 510043 | 4 PR | 19.8 | 9.4 | 8.00 | 715 | 22 | 13.6 | 14 |
| 22X10.00-8 NHS | 510044 | 4 PR | 22.0 | 10.2 | 7.00 | 825 | 22 | 15.1 | 14 |
| 20X10.00-10 NHS | 510045 | 4 PR | 20.3 | 8.2 | 6.00 | 695 | 22 | 13.9 | 14 |
| 22X9.50-10 NHS | 55A3N1 | 4 PR | 22.0 | 9.6 | 8.00 | 715 | 20 | 15.0 | 14 |
| 22X11.00-10 NHS ** | 510016 | 4 PR | 21.9 | 10.1 | 8.00 | 880 | 22 | 19.3 | 16 |
| 23X11.00-10NHS | 6P0058 | 6 PR | 23.5 | 10.9 | 9.00 | 1230 | 34 | 19.9 | 16 |
| 24X9.50-10NHS | 55A3P2 | 4 PR | 24.0 | 9.5 | 7.50 | 870 | 22 | 16.7 | 14 |
| 24X10.50-10 NHS | 55A3N9 | 4 PR | 24.3 | 10.8 | 8.00 | 900 | 20 | 19.3 | 14 |
| 23X8.00-12 NHS ** | 511506 | 4 PR | 23.7 | 8.4 | 6.50 | 675 | 22 | 19.9 | 19 |
| 23X10.50-12 NHS ** | 511505 | 4 PR | 23.1 | 10.1 | 8.50 | 835 | 20 | 22.0 | 19 |
| 25X8.00-12 NHS ** | 511507 | 4 PR | 24.8 | 8.4 | 7.00 | 785 | 22 | 18.6 | 19 |
| 25X9.00-12 NHS | 560443 | 4 PR | 25.2 | 8.6 | 7.00 | 825 | 20 | 18.6 | 16 |
| 25X9.00-12 NHS | 560587 | 6 PR | 25.4 | 8.5 | 6.00 | 1360 | 32 | 19.7 | 16 |
| 25X10-12 NHS ** | 6P0334 | 4 PR | 24.9 | 10.5 | 8.00 | 965 | 22 | 24.2 | 19 |
| 25X10.50-12 NHS ** | 511508 | 4 PR | 24.8 | 10.1 | 7.00 | 945 | 20 | 24.1 | 19 |
| 25X11.00-12 NHS | 560444 | 4 PR | 25.5 | 10.8 | 9.00 | 1050 | 22 | 20.4 | 16 |
| 25X11.00-12 NHS | 6P0333 | 6 PR | 25.5 | 11.2 | 9.00 | 1360 | 34 | 23.2 | 16 |
| 27X9.00-14 NHS ** | 6P0671 | 4 PR | 27.8 | 8.9 | 7.00 | 910 | 20 | 23.6 | 15 |
| 27X11.00-14 NHS ** | 6P0672 | 4 PR | 28.1 | 10.7 | 9.00 | 1170 | 22 | 29.5 | 15 |

NHS tires are Non-Highway Service Tires. "AT" tires are designed for ATV applications. "NHS" tires are designed for Utility Vehicle applications.
 † Indicates mounted diameter and mounted width ** NOTE: Sizes shown above with asterisks (**) are the All Trail tread pattern. Other sizes listed are the All Trail II tread pattern.



HD FIELD TRAX

KNOBBY

**ATVs, UTILITY VEHICLES, SIDE BY SIDE VEHICLES****HD FIELD TRAX**

The HD Field Trax tire features a wide profile providing stability on hard-packed surfaces. With its non-directional tread pattern and long-lasting construction, the HD Field Trax tire delivers a smooth and comfortable ride while resisting cut, chips and abrasions.

| SIZE | PRODUCT CODE | STAR/PLY | DIAMETER† | WIDTH† | RIM WIDTH | MAX LOAD @ 50 MPH | MAX PSI | TIRE WEIGHT | TREAD DEPTH (32nds) |
|-----------------|---------------|----------|-----------|--------|-----------|-------------------|---------|-------------|---------------------|
| 18X8.50-10 NHS | 5883U1 | 4 PR | 18.0 | 7.8 | 7.00 | 495 | 22 | 10.9 | 12 |
| AT22X12.00-8 | 588389 | 3* | 21.5 | 11.3 | 9.50 | 430 | 7 | 20.4 | 20 |
| AT22.5X10.00-8 | 5883B9 | 3* | 22.7 | 10.0 | 8.00 | 365 | 7 | 20.5 | 20 |
| 24X12.00-12 NHS | 560366 | 2 PR | 23.3 | 11.2 | 9.50 | 675 | 10 | 24.4 | 20 |
| AT25X13.00-9 | 588394 | 3* | 24.8 | 12.4 | 10.00 | 535 | 7 | 27.3 | 20 |
| 26X12.00-12 NHS | 560467 | 2 PR | 25.4 | 12.2 | 9.50 | 760 | 10 | 25.2 | 20 |

NHS tires are Non-Highway Service Tires. "AT" tires are designed for ATV applications. "NHS" tires are designed for Utility Vehicle applications.

† Indicates mounted diameter and mounted width

*NOTE: "AT" tires are Star Rated. "NHS" tires are Ply Rated (PR).

**KNOBBY**

The Knobby tire offers a unique design available in solid or dimple tread pattern. The Knobby tire delivers maximum performance on a variety of terrains and is ideal for ATVs and golf cars.

| SIZE | PRODUCT CODE | STAR/PLY | DIAMETER† | WIDTH† | RIM WIDTH | MAX LOAD @ 50 MPH | MAX PSI | TIRE WEIGHT | TREAD DEPTH (32nds) |
|----------------------|----------------|----------|-----------|--------|-----------|-------------------|---------|-------------|---------------------|
| AT145/70-6 | 5150021 | 1* | 14.3 | 5.3 | 4.50 | 99 | 4 | 4.9 | 6 |
| AT16X8.00-7 | 5150031 | 3* | 16.5 | 6.6 | 5.00 | 180 | 7 | 7.1 | 12 |
| 18X9.50-8 NHS | 537005 | 2 PR | 18.3 | 8.8 | 7.00 | 365 | 10 | 10.4 | 12 |
| AT22X11.00-8 Solid** | 537050 | 3* | 22.3 | 10.5 | 9.00 | 395 | 7 | 13.7 | 15 |
| AT25X12.00-9 Solid** | 537081 | 2* | 24.6 | 11.8 | 10.00 | 430 | 5 | 17.8 | 15 |

NHS tires are Non-Highway Service Tires. "AT" tires are designed for ATV applications. "NHS" tires are designed for Utility Vehicle applications.

† Indicates mounted diameter and mounted width

*NOTE: "AT" tires are Star Rated. "NHS" tires are Ply Rated (PR).

**NOTE: The AT22x11-8 and AT25x12-9 sizes have a solid Knobby tread, and not the dimpled Knobby tread pattern shown above.

Trailer

ALL PURPOSE



RADIAL TRAIL® HD 34



ULTRA SPORT RH 34



SPORT TRAIL® 35



SPORT TRAIL® LH 36



USA TRAIL® 37



CSL 16 ALL STEEL 37







RADIAL TRAIL HD

ULTRA SPORT RH

BOAT, CARGO, HORSE AND LIVESTOCK, RV, TOWABLE UTILITY, AND SPECIALTY TRAILERS

RADIAL TRAIL® HD

The Radial Trail HD tire is designed with a unique tread pattern that wears evenly over time. As the superior trailer tire in the industry, the Radial Trail HD tire is constructed with heat resistant technology and compliant with DOT standards.

| SIZE | PRODUCT CODE | LOAD RANGE | DIAMETER [†] | WIDTH [†] | RIM WIDTH | MAX CAPACITY | TIRE PSI* | TREAD DEPTH (32nds) | SPEED RATING |
|-------------|----------------|------------|-----------------------|--------------------|-----------|----------------|-----------|---------------------|--------------|
| ST145/12** | 5151311 | LRD | 21.4 | 5.9 | 4.00 | 1220 | 65 | 9 | 81 |
| ST145/12** | 5151321 | LRE | 21.4 | 6.0 | 4.00 | 1520 | 80 | 9 | 81 |
| ST175/80R13 | 6H04511 | LRC | 24.1 | 7.0 | 5.00 | 1360 | 50 | 8 | 81 |
| ST175/80R13 | 6H04521 | LRD | 24.1 | 7.0 | 5.00 | 1570 | 65 | 8 | 81 |
| ST185/80R13 | 6H04531 | LRC | 24.7 | 7.2 | 5.00 | 1480 | 50 | 8 | 81 |
| ST185/80R13 | 6H04541 | LRD | 24.7 | 7.2 | 5.00 | 1710 | 65 | 8 | 81 |
| ST205/75R14 | 6H04551 | LRC | 26.1 | 7.8 | 5.50 | 1760 | 50 | 9 | 81 |
| ST205/75R14 | 6H04561 | LRD | 26.1 | 7.8 | 5.50 | 2040 | 65 | 9 | 81 |
| ST215/75R14 | 6H04571 | LRC | 26.7 | 8.3 | 6.00 | 1870 | 50 | 9 | 81 |
| ST205/75R15 | 6H04581 | LRC | 27.1 | 7.8 | 5.50 | 1820 | 50 | 9 | 81 |
| ST205/75R15 | 6H04591 | LRD | 27.1 | 7.8 | 5.50 | 2150 | 65 | 9 | 81 |
| ST225/75R15 | 6H04601 | LRC | 28.3 | 8.6 | 6.00 | 2150 | 50 | 9 | 81 |
| ST225/75R15 | 6H04611 | LRD | 28.3 | 8.6 | 6.00 | 2540 | 65 | 9 | 81 |
| ST225/75R15 | 6H04621 | LRE | 28.1 | 8.8 | 6.00 | 2830 | 80 | 9 | 81 |
| ST235/80R16 | 6H04631 | LRE | 30.8 | 9.0 | 6.00 | 3520-S/3080 -D | 80 | 10 | 75 |
| ST235/85R16 | 6H04641 | LRE | 31.7 | 9.3 | 6.00 | 3640-S/3200-D | 80 | 12 | 75 |
| ST235/85R16 | 6H04651 | LRF | 31.7 | 9.3 | 6.00 | 3960-S/3520-D | 95 | 12 | 75 |

[†] Indicates mounted diameter and mounted width

*NOTE: Tire PSI shown is the Recommended PSI

**NOTE: Sizes with asterisks have the Radial Trail tread pattern. Made in the USA.

ULTRA SPORT RH

The Ultra Sport RH tire offers a low profile design with a high performance look. Its tire profile and tread formulation creates a lower rolling resistance ensuring stability on the road. Compliant with DOT standards.

| SIZE | PRODUCT CODE | LOAD RANGE | DIAMETER [†] | WIDTH [†] | RIM WIDTH | MAX CAPACITY | TIRE PSI* | TREAD DEPTH (32nds) | SPEED RATING |
|-------------|----------------|------------|-----------------------|--------------------|-----------|--------------|-----------|---------------------|--------------|
| ST235/60R15 | 6H00901 | LRD | 26.2 | 9.2 | 7.00 | 2200 | 65 | 10 | 65 |
| ST235/60R14 | 6H00891 | LRC | 25.2 | 9.5 | 7.00 | 1820 | 50 | 16 | 65 |

*NOTE: Tire PSI shown is the Recommended PSI



BOAT, CARGO, HORSE AND LIVESTOCK, RV, TOWABLE UTILITY, AND SPECIALTY TRAILERS

SPORT TRAIL®

Sport Trail tire features a radial look with bias construction. The tread profile and formulation creates lower rolling resistance. Often used for towable utility and boat trailers, the Sport Trail tire is long-lasting for a safe travel.

| SIZE | PRODUCT CODE | LOAD RANGE | DIAMETER† | WIDTH† | RIM WIDTH | MAX CAPACITY | TIRE PSI* | TREAD DEPTH (32nds) | SPEED RATING |
|-------------|----------------|------------|-----------|--------|-----------|--------------|-----------|---------------------|--------------|
| 4.80-8 | 5193171 | LRB | 16.3 | 4.7 | 3.80 | 585 | 60 | 8 | 62 |
| 4.80-8 | 5193181 | LRC | 16.3 | 4.9 | 3.80 | 760 | 90 | 8 | 62 |
| 5.70-8 | 5193191 | LRB | 18.1 | 5.9 | 3.80 | 715 | 50 | 10 | 62 |
| 5.70-8 | 5193201 | LRC | 18.4 | 6.0 | 3.80 | 910 | 75 | 10 | 62 |
| 16.5x6.5-8 | 5193421 | LRB | 16.6 | 6.8 | 5.40 | 615 | 45 | 7 | 62 |
| 16.5x6.5-8 | 5193461 | LRC | 16.5 | 6.8 | 5.40 | 785 | 70 | 7 | 62 |
| 16.5x6.5-8 | 5193481 | LRD | 16.6 | 6.8 | 5.40 | 910 | 90 | 7 | 62 |
| 18.5x8.5-8 | 5193431 | LRB | 18.0 | 8.6 | 7.00 | 760 | 35 | 10 | 62 |
| 18.5x8.5-8 | 5193451 | LRC | 17.9 | 8.6 | 7.00 | 935 | 50 | 10 | 62 |
| 20.5x8.0-10 | 5193441 | LRB | 20.9 | 8.0 | 6.00 | 910 | 35 | 10 | 62 |
| 20.5x8.0-10 | 5193471 | LRC | 20.9 | 8.0 | 6.00 | 1100 | 50 | 10 | 62 |
| 20.5x8.0-10 | 5193491 | LRD | 20.7 | 8.3 | 6.00 | 1320 | 70 | 10 | 62 |
| 20.5x8.0-10 | 5193501 | LRE | 20.6 | 8.2 | 6.00 | 1520 | 90 | 10 | 62 |
| 20.5x8.0-10 | 5193511 | LRF | 20.8 | 8.4 | 6.00 | 1650 | 105 | 10 | 62 |

† Indicates mounted diameter and mounted width

*NOTE: Tire PSI shown is the Recommended PSI


BOAT, CARGO, HORSE AND LIVESTOCK, RV, TOWABLE UTILITY, AND SPECIALTY TRAILERS
SPORT TRAIL® LH

Sport Trail LH tire brings an optimized tread pattern for larger bias trailer tires (>12" rim diameter). The tread and contour were designed to increase endurance, reduce heat build-up and maintain even wear for extended tread life.

| SIZE | PRODUCT CODE | LOAD RANGE | DIAMETER† | WIDTH† | RIM WIDTH | MAX CAPACITY | TIRE PSI* | TREAD DEPTH (32nds) | SPEED RATING |
|---------------|----------------|------------|-----------|--------|-----------|---------------|-----------|---------------------|--------------|
| 4.80-12 | 6H01291 | LRB | 20.6 | 5.0 | 4.00 | 785 | 60 | 6 | 87 |
| 4.80-12 | 6H01301 | LRC | 20.6 | 5.0 | 4.00 | 990 | 90 | 8 | 87 |
| 5.30-12 | 6H01391 | LRB | 21.6 | 5.3 | 4.00 | 855 | 55 | 6 | 87 |
| 5.30-12 | 6H01381 | LRC | 21.6 | 5.3 | 4.00 | 1050 | 90 | 6 | 87 |
| ST175/80D13 | 6H01581 | LRB | 24.0 | 6.9 | 4.50 | 1100 | 35 | 8 | 87 |
| ST175/80D13 | 6H01361 | LRC | 24.0 | 6.9 | 4.50 | 1360 | 50 | 8 | 87 |
| ST185/80D13 | 6H01371 | LRC | 24.4 | 7.1 | 4.50 | 1480 | 50 | 8 | 87 |
| ST185/80D13 | 6H02231 | LRD | 24.4 | 7.1 | 4.50 | 1710 | 65 | 8 | 87 |
| ST205/75D14 | 6H01351 | LRC | 25.8 | 7.9 | 5.50 | 1760 | 50 | 8 | 87 |
| ST215/75D14 | 6H01421 | LRC | 26.7 | 8.4 | 6.00 | 1870 | 50 | 8 | 87 |
| ST205/85D14.5 | 6H01451 | LRF | 27.8 | 8.0 | 6.00 | 2830-S/2470-D | 95 | 9 | 87 |
| ST205/75D15 | 6H01231 | LRC | 27.1 | 8.0 | 5.50 | 1820 | 50 | 8 | 87 |
| ST205/90D15 | 6H01441 | LRD | 29.4 | 8.0 | 5.50 | 2600-S/2270-D | 65 | 12 | 87 |
| ST225/75D15 | 6H01401 | LRC | 28.3 | 8.6 | 6.00 | 2150 | 50 | 9 | 87 |
| ST225/75D15 | 6H01411 | LRD | 28.3 | 8.6 | 6.00 | 2540 | 65 | 9 | 87 |
| ST225/90D16 | 6H01431 | LRE | 31.8 | 8.7 | 6.00 | 3520-S/3080-D | 80 | 12 | 87 |

† Indicates mounted diameter and mounted width *NOTE: Tire PSI shown is the Recommended PSI

USA TRAIL®

The USA Trail tire is built for long-lasting wear with its bias-ply construction. With rugged grooves to channel water in wet conditions, the USA Trail tire is compliant with DOT standards and made in the USA.

| SIZE | PRODUCT CODE | LOAD RANGE | DIAMETER† | WIDTH† | RIM WIDTH | MAX CAPACITY | TIRE PSI* | TREAD DEPTH (32nds) | SPEED RATING |
|----------------|---------------|------------|-----------|--------|-----------|--------------|-----------|---------------------|--------------|
| 5.70-8*** | 519886 | LRB | 18.57 | 5.82 | 3.75 | 715 | 50 | 11 | 62 |
| 4.80-8 | 519056 | LRB | 17.1 | 5.1 | 3.80 | 585 | 60 | 6 | 62 |
| 4.80-8 | 519058 | LRC | 17.4 | 5.1 | 3.80 | 760 | 90 | 6 | 62 |
| 5.70-8 | 519086 | LRB | 19.2 | 6.0 | 3.80 | 715 | 50 | 10 | 62 |
| 5.70-8 | 519087 | LRC | 18.8 | 6.0 | 3.80 | 910 | 75 | 10 | 62 |
| 5.70-8 | 519088 | LRD | 18.9 | 6.1 | 3.80 | 1070 | 100 | 10 | 62 |
| 16.5x6.50-8 E4 | 519297 | LRC | 16.2 | 6.6 | 5.40 | 785 | 70 | 7 | 62 |
| 16.5x6.50-8 E4 | 519298 | LRD | 16.3 | 6.7 | 5.40 | 910 | 90 | 7 | 62 |
| 18.5x8.50-8 | 519471 | LRB | 18.0 | 8.4 | 7.00 | 760 | 35 | 10 | 62 |

† Indicates mounted diameter and mounted width *NOTE: Tire PSI shown is the Recommended PSI



BOAT, CARGO, HORSE AND LIVESTOCK, RV, TOWABLE UTILITY, AND SPECIALTY TRAILERS

USA TRAIL® (continued)

| SIZE | PRODUCT CODE | LOAD RANGE | DIAMETER† | WIDTH† | RIM WIDTH | MAX CAPACITY | TIRE PSI* | TREAD DEPTH (32nds) | SPEED RATING |
|---------------|---------------|------------|-----------|--------|-----------|--------------|-----------|---------------------|--------------|
| 18.5x8.50-8 | 519472 | LRC | 17.7 | 8.5 | 7.00 | 935 | 50 | 10 | 62 |
| 6.90-9 | 519572 | LRC | 22.0 | 7.1 | 4.50 | 1100 | 60 | 10 | 62 |
| 20.5x8.00-10 | 519141 | LRB | 21.0 | 8.4 | 6.00 | 910 | 35 | 10 | 62 |
| 20.5x8.00-10 | 519142 | LRC | 20.7 | 8.5 | 6.00 | 1100 | 50 | 10 | 62 |
| 20.5x8.00-10 | 519143 | LRD | 20.5 | 8.6 | 6.00 | 1320 | 70 | 10 | 62 |
| 20.5x8.00-10 | 519144 | LRE | 20.9 | 8.7 | 6.00 | 1520 | 90 | 10 | 62 |
| 4.80-12 | 519062 | LRB | 21.0 | 5.0 | 4.00 | 785 | 60 | 8 | 62 |
| 4.80-12 | 519063 | LRC | 21.3 | 5.1 | 4.00 | 990 | 90 | 8 | 62 |
| 5.30-12 | 519076 | LRB | 21.8 | 5.3 | 4.00 | 855 | 55 | 8 | 62 |
| 5.30-12 | 519077 | LRC | 22.1 | 5.3 | 4.00 | 1050 | 80 | 8 | 87 |
| ST175/80D13 | 519161 | LRC | 25.0 | 6.7 | 4.50 | 1360 | 50 | 10 | 65 |
| ST195/75D14** | 519307 | LRD | 24.6 | 7.2 | 5.50 | 1870 | 65 | 10 | 62 |
| ST195/75D14** | 519306 | LRC | 24.9 | 7.2 | 5.50 | 1610 | 50 | 10 | 62 |
| ST205/75D14 | 519300 | LRC | 26.0 | 8.3 | 5.50 | 1760 | 50 | 10 | 65 |
| ST215/75D14 | 519315 | LRC | 26.4 | 8.4 | 6.00 | 1870 | 50 | 10 | 65 |
| ST205/75D15 | 519400 | LRC | 27.1 | 8.0 | 5.50 | 1820 | 50 | 10 | 65 |
| ST225/75D15 | 519410 | LRC | 28.1 | 8.9 | 6.00 | 2150 | 50 | 10 | 65 |
| ST225/75D15 | 519412 | LRD | 28.6 | 9.0 | 6.00 | 2540 | 65 | 10 | 65 |

† Indicates mounted diameter and mounted width

*NOTE: Tire PSI shown is the Recommended PSI

**NOTE: Sizes with asterisks have the Sure Trail tread pattern. Made in the USA.

***Note: Sizes with asterisks have the Extra Grip tread pattern.

CSL 16 ALL STEEL

The CSL 16 tire offers heavy duty hauling capabilities for large equipment and extremely heavy loads. Its all-steel body is essential for a load rating of up to 4,400 pounds of towing capacity. Its robust construction combined with an industrial highway tread design leads to extended service life on the highway and protects against environmental elements.

| SIZE | PRODUCT CODE | LOAD RANGE | DIAMETER† | WIDTH† | RIM WIDTH | MAX CAPACITY | TIRE PSI* | TREAD DEPTH (32nds) | SPEED RATING |
|-------------|----------------|------------|-----------|--------|-----------|--------------|-----------|---------------------|--------------|
| ST235/80R16 | 6H08101 | G | 30.6 | 9.2 | 6.50 | 4080/3640 | 110 | 12 | M |
| ST235/85R16 | 6H08111 | G | 31.7 | 9.3 | 6.50 | 4400/3850 | 110 | 11.6 | M |

Agriculture and Construction

FRONT TRACTOR STEERING



**FARM
SPECIALIST® F-2** 40



**FARM
SPECIALIST® F-2M** 40



**FARM
SPECIALIST® F-3** 41

IMPLEMENT



**FARM
SPECIALIST® F-I** 41



**FARM
SPECIALIST® HF-1** 42



**FARM
SPECIALIST® I-1** 42



TRAC CHIEF® I-3 43

COMAPCT UTILITY TRACTOR



**FARM
SPECIALIST® R-1** 44



**FARM
SPECIALIST® R-1-HA** 44



**TURF PRO R-3
TURF PRO PLUS R-3** 45



MULTI TRAC CS R-3 45



XTRA GRIP® R-4 45



WT300® 46



SPECIAL APPLICATIONS



USA LOADER® 46



ULTRA GUARD LVT® 46

SKID STEER



TRAC CHIEF®
TRAC CHIEF® XT 47



GUARD DOG® HD 48



ULTRA GUARD® 48



ULTRA GUARD® MX 48

LARGE DIAMETER



FSTR 49



CSL24 51



CSL32 53



CSL45 53



CSL48 53



CSL66 53



FARM SPECIALIST F-2

FARM SPECIALIST F-2M

FRONT TRACTOR, WAGONS, BALERS, SPREADERS, SEEDERS, AND FEED YARD MIXERS
FARM SPECIALIST® F-2 TRIPLE RIB

The Farm Specialist F-2 tire is a proven tire for front steering 2-wheel drive tractor applications. Its 3 rib design is optimal for steering response in loose and cultivated soils and has added stability with its wide center and shoulder ribs. Made in the USA.

| SIZE | PRODUCT CODE | PLY RATING | DIAMETER† | WIDTH† | RIM WIDTH | ROLLING CIRC. | MAX CAPACITY @ 30 MPH | MAX PSI | TIRE WEIGHT |
|-------------------|---------------|------------|-----------|--------|-----------|---------------|-----------------------|---------|-------------|
| 4.00 - 15SL (TT) | 52F230 | 4 | 24.3 | 4.4 | 3.00 | 72.3 | 585 | 52 | 9.2 |
| 5.00 - 15SL (TT) | 52F235 | 4 | 26.0 | 5.1 | 3.00 | 77.4 | 715 | 44 | 14.3 |
| 7.5L - 15SL (TT) | 52F290 | 6 | 29.1 | 8.0 | 6.00 | 87.1 | 1430 | 44 | 27.4 |
| 9.5L - 15SL (TT) | 52F244 | 8 | 31.5 | 9.9 | 7.00 | 94.0 | 1870 | 48 | 40.5 |
| 9.5L - 15SL (TL) | 52F344 | 8 | 31.5 | 9.9 | 7.00 | 94.0 | 1870 | 48 | 44.3 |
| 11L - 15SL (TL) | 52F318 | 8 | 32.0 | 11.0 | 8.00 | 96.1 | 2090 | 44 | 53.5 |
| 5.50 - 16SL (TT) | 52F239 | 6 | 28.0 | 5.9 | 4.00 | 83.5 | 1050 | 56 | 17.8 |
| 6.00 - 16SL (TT) | 52F275 | 6 | 29.1 | 6.2 | 4.00 | 86.8 | 1140 | 52 | 19.8 |
| 6.50 - 16SL (TT) | 52F281 | 6 | 29.8 | 7.3 | 4.50 | 88.9 | 1230 | 48 | 22.6 |
| 7.50 - 16SL (TT) | 52F283 | 6 | 31.8 | 7.9 | 5.50 | 94.0 | 1480 | 44 | 28.7 |
| 11.00 - 16SL (TT) | 52F295 | 8 | 37.9 | 13.1 | 10.00 | 111.4 | 2600 | 40 | 76.7 |
| 10.00 - 16SL (TT) | 52F298 | 8 | 34.9 | 11.0 | 8.00 | 103.4 | 2340 | 44 | 48.0 |
| 6.00 - 16SL (TL) | 52F375 | 6 | 29.1 | 6.2 | 4.00 | 86.8 | 1140 | 52 | 23.1 |
| 7.50 - 16 SL (TL) | 52F383 | 6 | 31.8 | 7.9 | 5.50 | 94.0 | 1480 | 44 | 34.1 |
| 7.50 - 16SL (TL) | 52F384 | 8 | 31.8 | 7.9 | 5.50 | 94.0 | 1710 | 56 | 33.0 |
| 11.00 - 16SL (TL) | 52F395 | 8 | 37.9 | 13.1 | 10.00 | 111.4 | 2340 | 40 | 76.7 |
| 10.00 - 16SL (TL) | 52F398 | 8 | 34.9 | 11.0 | 8.00 | 103.4 | 2340 | 44 | 52.5 |
| 4.00 - 19SL (TT) | 52F233 | 4 | 28.2 | 4.4 | 3.00 | 85.2 | 715 | 52 | 12.0 |
| 16.5L-16.1 (TL) | 561854 | 10 | 40.5 | 16.6 | 14.00 | 120.2 | 5200 | 36 | 83.0 |

(TT) indicates a tube-type tire. (TL) indicates a tubeless tires. These tires are not for highway use.

NHS tires are Non-Highway Service tires.

† Indicates mounted diameter and mounted width

FARM SPECIALIST® F-2M QUAD RIB

Developed for larger horsepower tractors, the Farm Specialist F-2M is a quad ribbed powerhouse that is self-cleaning and designed for channeling water in wet conditions. Made in the USA.

| SIZE | PRODUCT CODE | PLY RATING | DIAMETER† | WIDTH† | RIM WIDTH | ROLLING CIRC. | MAX CAPACITY @ 30 MPH | MAX PSI | TIRE WEIGHT |
|----------------------|---------------|------------|-----------|--------|-----------|---------------|-----------------------|---------|-------------|
| 11L - 15SL (TT) | 53F218 | 8 | 32.0 | 10.5 | 8.00 | 96.1 | 2090 | 44 | 43.2 |
| 10.00 - 16SL (TT) | 53F298 | 8 | 35.0 | 10.8 | 8.00 | 105.1 | 2340 | 44 | 49.7 |
| 11.00-16SL (TL) | 53F395 | 8 | 37.2 | 13.1 | 10.00 | 111.4 | 2600 | 40 | 77.1 |
| 10.00-16SL F-2M (TL) | 53F398 | 8 | 35.0 | 10.8 | 8.00 | 105.1 | 2340 | 44 | 65.2 |

(TT) indicates a tube-type tire. (TL) indicates a tubeless tires. These tires are not for highway use.

† Indicates mounted diameter and mounted width



FRONT TRACTOR, WAGONS, BALERS, SPREADERS, SEEDERS, AND FEED YARD MIXERS

FARM SPECIALIST® F-3 INDUSTRIAL FRONT

Primarily used on front tractor steering applications, the Farm Specialist F-3 tire offers a rugged and heavier tread construction for resistance to chipping, cracking and rib tearing. Its tightly grooved zig-zag tread is designed for turf protection and engineered to channel water in wet terrain. Made in the USA.

| SIZE | PRODUCT CODE | PLY RATING | DIAMETER† | WIDTH† | RIM WIDTH | ROLLING CIRC. | MAX CAPACITY @ 25 MPH | MAX PSI | TIRE WEIGHT |
|--------------------|---------------|------------|-----------|--------|-----------|---------------|-----------------------|---------|-------------|
| 11L - 15SL (TL) | 6A0805 | 12 | 31.3 | 10.9 | 8.00 | 95.7 | 2680 | 64 | 54.0 |
| 11L - 16SL (TL) | 565315 | 10 | 33.0 | 11.0 | 8.00 | 97.9 | 2470 | 52 | 55.2 |
| 11L - 16SL (TL) | 565317 | 12 | 33.0 | 11.0 | 8.00 | 97.9 | 2760 | 64 | 54.3 |
| 11L - 15FI (TL) ** | 6A0820 | F | 31.9 | 11.2 | 8.00 | 97.5 | 3960 | 90 | 57.0 |

These tires are not for highway use. † Indicates mounted diameter and mounted width **Highway F-3 Implement



FARM SPECIALIST® F-1 HIGHWAY SERVICE IMPLEMENT

Used for highway service implement applications, the Farm Specialist F-1 tire is specially designed for towed vehicle applications at intermittent highway speeds. DOT approved for highway use. Made in the USA.

| SIZE | PRODUCT CODE | PLY RATING | DIAMETER† | WIDTH† | RIM WIDTH | ROLLING CIRC. | MAX CAPACITY @ 60 MPH | MAX PSI | TIRE WEIGHT |
|----------------|---------------|------------|-----------|--------|-----------|---------------|-----------------------|---------|-------------|
| 9.5L-15 (TL) | 51H359 | D | 30.2 | 9.5 | 7.00 | 89.6 | 2680 | 60 | 38.9 |
| 9.5L-15 (TL) | 51H360 | E | 30.2 | 9.5 | 7.00 | 89.6 | 3080 | 75 | 43.4 |
| 10.00-15 (TL) | 51H361 | D | 33.5 | 11.0 | 8.00 | 100.0 | 3960 | 60 | 52.3 |
| 11L-15 (TL) | 51H386 | D | 30.6 | 11.0 | 8.00 | 90.7 | 3080 | 60 | 47.8 |
| 11L-15 (TL) | 51H392 | F | 30.6 | 11.0 | 8.00 | 90.7 | 3960 | 90 | 55.0 |
| 12.5L-15 (TL) | 6A0561 | D | 32.1 | 12.6 | 10.00 | 95.5 | 3740 | 60 | 60.4 |
| 12.5L-15 (TL) | 6A0562 | F | 32.5 | 12.9 | 10.00 | 99.0 | 4680 | 90 | 72.5 |
| 13.50 -15 (TL) | 570124 | D | 31.8 | 13.6 | 10.00 | 95.9 | 2680 | 30 | 61.0 |

(TT) indicates a tube-type tire. (TL) indicates a tubeless tires. These tires are not for highway use. † Indicates mounted diameter and mounted width



FARM SPECIALIST HF-1

FARM SPECIALIST I-1

FRONT TRACTOR, WAGONS, BALERS, SPREADERS, SEEDERS, AND FEED YARD MIXERS
FARM SPECIALIST® HF-1 IMPLEMENT

The Farm Specialist HF-1 implement tire is designed for higher performance applications with heavier loads and when high flotation is needed. Made in the USA.

| SIZE | PRODUCT CODE | PLY RATING | DIAMETER† | WIDTH† | RIM WIDTH | ROLLING CIRC. | MAX CAPACITY @ 30 MPH | MAX PSI | TIRE WEIGHT |
|-------------------------|---------------|------------|-----------|--------|-----------|---------------|-----------------------|---------|-------------|
| 25 x 7.50 -15 NHS (TL) | 51F378 | 6 | 25.2 | 7.5 | 5.50 | 73.3 | 1230 | 45 | 22.2 |
| 27 x 9.50 -15 NHS (TL) | 51F395 | 6 | 27.0 | 9.6 | 7.00 | 79.2 | 1610 | 45 | 29.0 |
| 31 x 13.50 -15 NHS (TL) | 51F396 | 6 | 31.8 | 13.5 | 10.00 | 94.0 | 2090 | 30 | 49.1 |
| 31 x 13.50 -15 NHS (TL) | 51F397 | 8 | 31.8 | 13.8 | 10.00 | 94.2 | 2620 | 45 | 59.0 |
| 31 x 13.50 -15 NHS (TL) | 51F307 | 10 | 31.8 | 14.0 | 10.00 | 94.2 | 3080 | 60 | 57.9 |
| 31 x 13.50 -15 NHS (TL) | 570060 | 12 | 32.1 | 14.5 | 10.00 | 95.4 | 3520 | 75 | 66.0 |

(TT) indicates a tube-type tire. (TL) indicates a tubeless tires. These tires are not for highway use.

† Indicates mounted diameter and mounted width

FARM SPECIALIST® I-1 IMPLEMENT

With its wide rib tread design, the Farm Specialist I-1 tire is aimed for floatation on farm implements for excellent lateral stability and rolling resistance. Made in the USA.

| SIZE | PRODUCT CODE | PLY RATING | DIAMETER† | WIDTH† | RIM WIDTH | ROLLING CIRC. | MAX CAPACITY @ 30 MPH | MAX PSI | TIRE WEIGHT |
|---------------------|---------------|------------|-----------|--------|-----------|---------------|-----------------------|---------|-------------|
| 4.00-9SL (TT) | 518249 | 4 | 17.4 | 4.8 | 3.00 | 51.6 | 550 | 44 | 6.1 |
| 4.00-12SL (TT) | 518277 | 4 | 20.4 | 5.0 | 3.00 | 60.5 | 675 | 44 | 7.1 |
| 26x12.00-12NHS (TL) | 510361 | 4 | 25.5 | 11.7 | 10.50 | 75.7 | 1780 | 20 | 26.5 |
| 26x12.00-12NHS (TL) | 510363 | 10 | 25.5 | 11.7 | 10.50 | 75.7 | 3110 | 52 | 28.9 |
| 26x12.00-12NHS (TL) | 560474 | 12 | 25.5 | 11.7 | 10.50 | 75.7 | 3460 | 62 | 33.0 |
| 9.5L-14SL (TL) | 51F399 | 8 | 29.4 | 9.2 | 7.00 | 87.0 | 2400 | 44 | 29.7 |
| 9.5L-14SL (TT) | 51F299 | 8 | 29.4 | 9.2 | 7.00 | 87.0 | 2400 | 44 | 25.6 |
| 11L-14SL (TL) | 51F391 | 8 | 29.6 | 10.6 | 8.00 | 87.7 | 2470 | 36 | 32.5 |
| 5.00-15SL (TT) | 51F235 | 4 | 25.2 | 5.4 | 4.00 | 74.7 | 950 | 36 | 12.0 |
| 5.90-15SL (TT) | 51F252 | 4 | 26.3 | 6.3 | 4.50 | 77.9 | 1140 | 36 | 13.5 |
| 6.70-15SL (TL) | 51F367 | 4 | 27.7 | 7.1 | 4.50 | 81.5 | 1280 | 32 | 18.4 |
| 6.70-15SL (TL) | 51F388 | 6 | 28.2 | 7.2 | 4.50 | 83.7 | 1610 | 44 | 16.9 |
| 7.60-15SL (TT) | 51F237 | 8 | 28.7 | 7.9 | 5.50 | 84.4 | 2090 | 52 | 23.5 |
| 7.60-15SL (TL) | 51F337 | 8 | 28.7 | 7.9 | 5.50 | 85.0 | 2090 | 52 | 27.9 |
| 9.5L-15SL (TT) | 51F244 | 8 | 29.9 | 9.2 | 7.00 | 88.5 | 2470 | 44 | 26.2 |
| 9.5L-15SL (TL) | 51F344 | 8 | 29.9 | 9.2 | 7.00 | 88.5 | 2470 | 44 | 27.3 |
| 9.5L-15SL (TL) | 51F3D7 | 12 | 29.9 | 9.2 | 7.00 | 88.5 | 3000 | 64 | 30.1 |
| 10.00-15SL (TL) | 51F385 | 8 | 33.4 | 11.0 | 8.00 | 98.6 | 3200 | 40 | 46.7 |
| 11L-15SL (TT) | 51F218 | 8 | 30.6 | 11.0 | 8.00 | 90.6 | 2540 | 36 | 28.1 |



TRAC CHIEF I-3

FRONT TRACTOR, WAGONS, BALERS, SPREADERS, SEEDERS, AND FEED YARD MIXERS

FARM SPECIALIST® I-1 IMPLEMENT (Continued)

| SIZE | PRODUCT CODE | PLY RATING | DIAMETER† | WIDTH† | RIM WIDTH | ROLLING CIRC. | MAX CAPACITY @ 30 MPH | MAX PSI | TIRE WEIGHT |
|-----------------------|--------------|------------|-----------|--------|-----------|---------------|-----------------------|---------|-------------|
| 11L-15SL (TL) | 51F318 | 8 | 30.6 | 11.7 | 8.00 | 90.6 | 2540 | 36 | 32.7 |
| 11L-15SL (TL) | 51F317 | 12 | 30.6 | 10.7 | 8.00 | 90.6 | 3200 | 52 | 41.6 |
| 12.5L-15SL (TT) | 51F240 | 8 | 32.1 | 12.3 | 10.00 | 96.5 | 3000 | 36 | 43.0 |
| 12.5L-15SL (TL) | 51F340 | 8 | 32.1 | 12.3 | 10.00 | 96.5 | 3000 | 36 | 43.0 |
| 12.5L-15SL (TT) | 51F241 | 10 | 32.2 | 12.4 | 10.00 | 96.5 | 3420 | 44 | 43.0 |
| 12.5L-15SL (TL) | 51F341 | 10 | 32.2 | 12.4 | 10.00 | 96.5 | 3420 | 44 | 43.0 |
| 12.5L-15SL (TL) | 51F305 | 12 | 32.6 | 12.1 | 10.00 | 96.5 | 3860 | 52 | 59.2 |
| 12.5L-16SL (TL) | 51F353 | 14 | 33.4 | 12.5 | 10.00 | 99.0 | 4180 | 56 | 53.5 |
| 14L-16.1SL (TL) | 510131 | 8 | 37.0 | 14.4 | 11.00 | 108.5 | 3520 | 28 | 68.9 |
| 16.5L-16.10SL (TL) | 51F350 | 10 | 40.8 | 17.1 | 14.00 | 117.5 | 5200 | 36 | 101.0 |
| 18L-16.1SL (TL)* | 510130 | 10 | 32.5 | 17.0 | 14.00 | 95.2 | 4180 | 32 | 72.0 |
| 19L - 16.1SL (TL) | 6A0437 | 12 | 42.4 | 18.8 | 16.00 | 124.0 | 6600 | 36 | 131.0 |
| 21.5L - 16.1SL (TL) | 6A0434 | 10 | 44.3 | 20.1 | 16.00 | 125.3 | 6600 | 28 | 146.0 |
| 21.5L - 16.1SL (TL) | 510136 | 14 | 44.5 | 21.5 | 18.00 | 132.1 | 7850 | 36 | 136.0 |
| 32x15.5-16.5SL (TL)** | 6A0086 | 14 | 32.2 | 15.6 | 16.50 | 97.4 | 5840** | 90 | 87.5 |

(TT) indicates a tube-type tire, (TL) indicates a tubeless tires. These tires are not for highway use.
 † Indicates mounted diameter and mounted width * NOTE: 18L - 16.1SL I-1 is a 7 Rib Design. ** NOTE: 32 x 15.5-16.5SL I-1 is rated at 25 mph.

TRAC CHIEF® I-3

Designed for traction on implements and backhoes, the Trac-Chief I-3 tire delivers diverse capabilities of aggressive and durable traction on soft surfaces while still providing a smooth ride. It's directional tread design and high load capacity brings stability and easy steering for front wheel tractor applications and backhoe loaders. Made in the USA.

| SIZE | PRODUCT CODE | PLY RATING | DIAMETER† | WIDTH† | RIM WIDTH | ROLLING CIRC. | MAX CAPACITY @ 5 MPH | MAX PSI | TIRE WEIGHT |
|------------------|--------------|------------|-----------|--------|-----------|---------------|----------------------|---------|-------------|
| 12.4-16 (TL) | 570122 | 6 | 37.2 | 12.9 | 11.00 | 108.1 | 2340 | 30 | 79.5 |
| 10.5/80-18 (TL)* | *570120 | 10 | 35.6 | 10.8 | 9.00 | 105.5 | 3840 | 54 | 70.4 |
| 12.5/80-18 (TL)* | *570121 | 12 | 38.5 | 12.5 | 9.00 | 114.6 | 5360 | 55 | 96.0 |

(TT) indicates a tube-type tire, (TL) indicates a tubeless tires. These tires are not for highway use.
 † Indicates mounted diameter and mounted width *NOTE: With mud breakers between shoulders



FARM SPECIALIST R-1

FARM SPECIALIST R-1-HA

FRONT TRACTOR, WAGONS, BALERS, SPREADERS, SEEDERS, AND FEED YARD MIXERS
FARM SPECIALIST® R-1

Used primarily on compact utility tractors, the Farm Specialist R-1 tire features an overlapping center tread lug that performs in both wet and dry conditions. The all-purpose tire features a unique multi-angle long bar tread for aggressive performance, excellent traction and lateral stability. Made in the USA.

| SIZE | PRODUCT CODE | PLY RATING | DIAMETER† | WIDTH† | RIM WIDTH | ROLLING CIRC. | MAX CAPACITY @ 25 MPH | MAX PSI | TIRE WEIGHT |
|--------------|---------------|------------|-----------|--------|-----------|---------------|-----------------------|---------|-------------|
| 6-12 (TL) | 570030 | 6 | 23.0 | 6.1 | 5.00 | 68.9 | 735 | 40 | 18.1 |
| 7-14 (TL) | 570000 | 6 | 27.1 | 7.4 | 6.00 | 80.5 | 990 | 36 | 26.9 |
| 7-16 (TL) | 570001 | 6 | 29.1 | 8.1 | 6.00 | 86.8 | 1100 | 36 | 33.8 |
| 8-16 (TL) | 570002 | 6 | 31.4 | 8.4 | 6.00 | 92.5 | 1360 | 28 | 40.2 |
| 9.5-16 (TL) | 570003 | 6 | 33.5 | 10.0 | 8.00 | 98.1 | 1390 | 30 | 53.0 |
| 9.5-20 (TL) | 6A0377 | 6 | 36.5 | 9.4 | 8.00 | 109.1 | 1650 | 30 | 69.6 |
| 9.5-20 (TL) | 6A0467 | 8 | 36.5 | 9.4 | 8.00 | 112.7 | 2040 | 40 | 69.6 |
| 8.3-24 (TL) | 570004 | 6 | 39.1 | 8.3 | 7.00 | 117.2 | 1610 | 34 | 65.8 |
| 9.5-24 (TL) | 570005 | 6 | 41.3 | 9.5 | 8.00 | 123.2 | 1870 | 30 | 79.3 |
| 11.2-24 (TL) | 570006 | 6 | 43.4 | 11.2 | 10.00 | 129.1 | 2090 | 26 | 89.2 |
| 12.4-24 (TL) | 570007 | 4 | 45.6 | 12.4 | 11.00 | 135.1 | 1870 | 16 | 95.8 |
| 12.4-24 (TL) | 570008 | 8 | 45.6 | 12.4 | 11.00 | 135.1 | 2830 | 32 | 114.7 |
| 13.6-24 (TL) | 570009 | 6 | 47.6 | 13.6 | 12.00 | 140.7 | 2680 | 22 | 113.8 |
| 14.9-24 (TL) | 6A0429 | 6 | 49.5 | 14.8 | 13.00 | 145.4 | 3000 | 20 | 137.0 |
| 14.9-24 (TL) | 6A0365 | 8 | 49.6 | 14.4 | 13.00 | 145.7 | 3520 | 26 | 136.0 |
| 16.9-24 (TL) | 6A0399 | 6 | 52.1 | 16.9 | 15.00 | 155.3 | 3420 | 18 | 160.0 |
| 16.9-24 (TL) | 6A0398 | 8 | 52.3 | 16.9 | 15.00 | 156.0 | 4080 | 24 | 160.0 |

(TT) indicates a tube-type tire. (TL) indicates a tubeless tires. These tires are not for highway use.

† Indicates mounted diameter and mounted width

FARM SPECIALIST® R-1-HA

Developed with a 45 degree angled tread, the Farm Specialist R-1-HA tire is designed with a straight bar design for maximum performance in mixed terrains. The tire's narrow profile delivers easy handling on compact utility tractors and provides excellent traction with its high angled straight bar tread lugs. Made in the USA.

| SIZE | PRODUCT CODE | PLY RATING | DIAMETER† | WIDTH† | RIM WIDTH | ROLLING CIRC. | MAX CAPACITY @ 25 MPH | MAX PSI | TIRE WEIGHT |
|--------------|---------------|------------|-----------|--------|-----------|---------------|-----------------------|---------|-------------|
| 9.5-24 (TL) | 570034 | 6 | 41.3 | 9.5 | 8.00 | 123.2 | 1870 | 30 | 67.9 |
| 11.2-24 (TL) | 570035 | 6 | 43.4 | 11.2 | 10.00 | 129.1 | 2090 | 26 | 89.2 |

(TT) indicates a tube-type tire. (TL) indicates a tubeless tires. These tires are not for highway use.

† Indicates mounted diameter and mounted width



TURF PRO R-3

MULTI TRAC CS R-3

XTRA GRIP R-4

FRONT TRACTOR, WAGONS, BALERS, SPREADERS, SEEDERS, AND FEED YARD MIXERS

TURF PRO R-3 / TURF PRO PLUS R-3

Designed for mowing and turf applications, the Carlisle branded R-3 series is engineered with shallow non-skid depth with isolated tread elements that create minimal ground disturbance for a turf-friendly result. Made in the USA.

| SIZE | PRODUCT CODE | PLY RATING | DIAMETER† | WIDTH† | RIM WIDTH | ROLLING CIRC. | MAX CAPACITY @ 25 MPH | MAX PSI | TIRE WEIGHT |
|-------------------|---------------|------------|-----------|--------|-----------|---------------|-----------------------|---------|-------------|
| 31x15.5-15 (TL)** | 560589 | 8 | 30.3 | 14.2 | 13.00 | 90.4 | 2760* | 45 | 58.5 |
| 13.6-16 (TL) | 570080 | 4 | 38.2 | 16.0 | 12.00 | 112.8 | 1570 | 14 | 82.3 |
| 9.5-24 (TL) | 570084 | 6 | 40.3 | 9.5 | 8.00 | 120.5 | 1870 | 30 | 59.0 |
| 11.2-24 (TL) | 570085 | 6 | 42.4 | 11.2 | 10.00 | 126.3 | 2080 | 26 | 82.2 |

(TT) indicates a tube-type tire. (TL) indicates a tubeless tires. These tires are not for highway use. † Indicates mounted diameter and mounted width *NOTE: 31x15.5-15 Turf Pro Plus R3 has a max capacity at 30 mph. **Turf Pro Plus

MULTI TRAC CS R-3

With its squared lugs and wide base for stability, the Multi Trac CS R-3 is excellent for minimal ground disturbance for turf and mowing applications. Made in the USA.

| SIZE | PRODUCT CODE | PLY RATING | DIAMETER† | WIDTH† | RIM WIDTH | ROLLING CIRC. | MAX CAPACITY @ 30 MPH | MAX PSI | TIRE WEIGHT |
|--------------------|---------------|------------|-----------|--------|-----------|---------------|-----------------------|---------|-------------|
| 36x14.00-15 (TL) | 6L0580 | 4 | 35.5 | 14.7 | 10.00 | 104.4 | 2600 | 20 | 59.0 |
| 33X12.50-16.5 (TL) | 6L0589 | 4 | 32.5 | 12.5 | 9.75 | 97.3 | 2340 | 30 | 57.0 |
| 41x14.00-20 (TL) | 570083 | 4 | 42.0 | 14.8 | 11.00 | 125.6 | 3080 | 26 | 101.2 |
| 44x18-20 (TL) | 6A0376 | 4 | 44.8 | 18.5 | 14.00 | 132.3 | 3420 | 20 | 135.0 |
| 44x18-20 (TL) | 6A0375 | 6 | 44.8 | 18.5 | 14.00 | 132.3 | 4300 | 30 | 135.0 |

(TT) indicates a tube-type tire. (TL) indicates a tubeless tires. These tires are not for highway use. † Indicates mounted diameter and mounted width

XTRA GRIP® R-4

The Xtra Grip R4 tire provides excellent traction for turf and sod applications. This all-purpose farm or industrial tractor tire is engineered with a compound to resist cutting and penetration. It also has a rugged, heavy-duty construction to withstand rigorous operating site conditions. Made in the USA.

| SIZE | PRODUCT CODE | PLY RATING | DIAMETER† | WIDTH† | RIM WIDTH | ROLLING CIRC. | MAX CAPACITY @ 25 MPH | MAX PSI | TIRE WEIGHT |
|--------------------|---------------|------------|-----------|--------|-----------|---------------|-----------------------|---------|-------------|
| 43 x 16.00-20 (TL) | 570059 | 6 | 43.0 | 16.8 | 14.00 | 126.4 | 3720 | 30 | 116.9 |
| 16.9-24 (TL) | 6A0366 | 6 | 50.5 | 17.3 | 15.00 | 147.9 | 4940 | 22 | 156.0 |
| 16.9-24 (TL) | 6A0363 | 8 | 50.5 | 17.3 | 15.00 | 147.9 | 5840 | 28 | 156.0 |
| 17.5L-24 (TL) | 6A0428 | 6 | 48.3 | 17.6 | 15.00 | 141.6 | 4400 | 20 | 153.0 |
| 17.5L-24 (TL) | 6A0364 | 8 | 48.3 | 17.6 | 15.00 | 142.3 | 5360 | 26 | 153.0 |
| 18.4-24 (TL) | 6A0666 | 8 | 54.3 | 18.3 | 16.00 | 162.0 | 6400 | 24 | 201.0 |
| 19.5L- 24 (TL) | 6A0667 | 8 | 52.0 | 19.2 | 16.00 | 155.0 | 6000 | 24 | 192.5 |
| 19.5L- 24 (TL) | 6A0802 | 12 | 51.2 | 19.3 | 16.00 | 152.7 | 7600 | 34 | 213.0 |
| 19.5L- 24 (TL) | 6A0803 | 14 | 51.3 | 19.3 | 16.00 | 152.7 | 8250 | 38 | 213.0 |
| 21L-24 (TL) | 6A0804 | 14 | 54.2 | 20.7 | 18.00 | 162.0 | 9350 | 36 | 246.0 |

(TT) indicates a tube-type tire. (TL) indicates a tubeless tires. These tires are not for highway use. † Indicates mounted diameter and mounted width



WT300

USA LOADER

ULTRA GUARD LVT

FRONT TRACTOR, WAGONS, BALERS, SPREADERS, SEEDERS, AND FEED YARD MIXERS
WT300®

The WT300 tire is constructed for tractors with less than 30 horsepower. Its low ground pressure ensures turf preservation while its angled tread pattern provides aggressive traction while preventing debris buildup. Made in the USA.

| SIZE | PRODUCT CODE | PLY RATING | DIAMETER' | WIDTH' | RIM WIDTH | ROLLING CIRC. | MAX CAPACITY @ 10 MPH | MAX PSI | TIRE WEIGHT |
|----------------------|---------------|------------|-----------|--------|-----------|---------------|-----------------------|---------|-------------|
| 18x8.50-10 NHS (TL) | 570046 | 4 | 18.3 | 8.1 | 6.00 | 54.8 | 830 | 22 | 12.3 |
| 26x12.00-12 NHS (TL) | 570042 | 4 | 25.7 | 12.4 | 9.50 | 76.2 | 1780 | 20 | 28.2 |

(TT) indicates a tube-type tire. (TL) indicates a tubeless tires. These tires are not for highway use. † Indicates mounted diameter and mounted width

GENERAL DUTY SKID STEER AND COMPACT TRACTOR APPLICATIONS
USA LOADER®

Engineered with lateral grooves and a "Boot Heel Lug" tread configuration, the USA Loader brings traction and stability on specialty applications where safety and stability are critical. Made in the USA.

| SIZE | PRODUCT CODE | PLY RATING | DIAMETER' | WIDTH' | RIM WIDTH | ROLLING CIRC. | MAX CAPACITY @ 5 MPH | MAX PSI | TIRE WEIGHT | TREAD DEPTH (32nds) |
|---------------------|---------------|------------|-----------|--------|-----------|---------------|----------------------|---------|-------------|---------------------|
| 10-16.50NHS (TL) | 510713 | 10 | 30.9 | 10.6 | 8.25 | 92.6 | 4720 | 75 | 59.3 | 26 |
| 12-16.50NHS (TL) | 510716 | 10 | 32.9 | 12.6 | 9.75 | 98.5 | 5600 | 65 | 76.4 | 27 |
| 305/70D16.5NHS (TL) | 6A0170 | 10 | 32.9 | 12.6 | 9.75 | 98.5 | 5600 | 65 | 77.2 | 27 |

"NHS" tires are Non-Highway Service tires. † Indicates mounted diameter and mounted width

ULTRA GUARD LVT®

The Ultra Guard LVT tire is used on hard surface severe-service skid steers. With its low tread void for maximum net ground contact, massive footprint & extra premium chip/chunk resistant tread rubber, the Ultra Guard LVT tire is essential on surface sites such as demolition, rocks, gravel and concrete. Made in the USA.

| SIZE | PRODUCT CODE | PLY RATING | DIAMETER' | WIDTH' | RIM WIDTH | ROLLING CIRC. | MAX CAPACITY @ 5 MPH | MAX PSI | TIRE WEIGHT | TREAD DEPTH (32nds) |
|-----------------|---------------|------------|-----------|--------|-----------|---------------|----------------------|---------|-------------|---------------------|
| 10-16.5NHS (TL) | 570075 | 10 | 31.4 | 10.9 | 8.25 | 92.4 | 4710 | 75 | 90.0 | 44 |
| 12-16.5NHS (TL) | 570076 | 14 | 32.9 | 13.1 | 9.75 | 99.0 | 6780 | 90 | 112.0 | 44 |
| 14-17.5NHS (TL) | 570077 | 14 | 36.3 | 13.8 | 10.50 | 109 | 8540 | 80 | 132.0 | 44 |

"NHS" tires are Non-Highway Service tires. † Indicates mounted diameter and mounted width



TRAC CHIEF

TRAC CHIEF XT

GENERAL DUTY SKID STEER AND COMPACT TRACTOR APPLICATIONS

TRAC CHIEF®/ TRAC CHIEF® XT

Applied on general duty skid steer and compact tractor applications, the Trac Chief and Trac Chief XT tires are engineered with a flat profile for increased stability, rugged tread compounds and a built-in rim gauge to protect its bead area from hazards and debris. Made in the USA.

| SIZE | PRODUCT CODE | PLY RATING | DIAMETER* | WIDTH* | RIM WIDTH | ROLLING CIRC. | MAX CAPACITY @ 5 MPH | MAX PSI | TIRE WEIGHT | TREAD DEPTH (32nds) |
|----------------------|--------------|------------|-----------|--------|-----------|---------------|----------------------|---------|-------------|---------------------|
| 18x8.50-10NHS (TL) | 51S311 | 4 | 18.2 | 8.0 | 7.00 | 54.9 | 830 | 22 | 14.9 | 16 |
| 20x8.00-10NHS (TL) | 560483 | 4 | 19.3 | 8.2 | 7.00 | 57.1 | 1210 | 35 | 17.5 | 16 |
| 5.70-12NHS (TL) | 51S3C2 | 4 | 22.4 | 5.7 | 4.50 | 67.4 | 1450 | 60 | 15.6 | 17 |
| 23x8.50-12SS (TL) | 51S3C3 | 4 | 23.0 | 8.0 | 7.00 | 68.9 | 1470 | 35 | 22.2 | 14 |
| 23x8.50-12SS (TL) | 51S3G8 | 6 | 22.6 | 8.4 | 7.00 | 68.9 | 1820 | 50 | 26.1 | 26 |
| 26x12.00-12NHS (TL) | 51S361 | 4 | 25.5 | 12.4 | 10.50 | 76.4 | 1780 | 20 | 38.3 | 21 |
| 26x12.00-12SS (TL) | 6A0282 | 8 | 25.5 | 12.4 | 10.50 | 77.2 | 3020 | 50 | 47.0 | 21 |
| 23x8.50-14NHS (TL) | 51S388 | 4 | 23.0 | 8.0 | 7.00 | 69.2 | 1560 | 35 | 22.6 | 17 |
| 25x8.50-14SS (TL) | 51S379 | 6 | 25.8 | 8.4 | 7.00 | 77.1 | 2130 | 50 | 30.2 | 17 |
| 27x12.5-15NHS (TL) | 560484 | 4 | 28.0 | 12 | 10.00 | 83.1 | 2030 | 20 | 41.0 | 19 |
| 27x8.50-15SS (TL) | 51S339 | 6 | 26.7 | 9.0 | 7.00 | 79.8 | 2400 | 50 | 37.0 | 17 |
| 27x10.50-15SS (TL) | 51S3H7 | 6 | 26.8 | 10.4 | 8.50 | 80.1 | 2610 | 45 | 36.2 | 17 |
| 27x10.50-15SS (TL) | 560369 | 8 | 27.2 | 10.2 | 8.50 | 81.3 | 3740 | 60 | 41.3 | 17 |
| 28x8.5-15NHS (TL) | 570139 | 6 | 28.3 | 8.8 | 7.00 | 83.6 | 1870 | 45 | 32.2 | 16 |
| 10-16.50NHS (TL) | 51S3C8 | 6 | 30.5 | 10.7 | 8.25 | 87.9 | 3500 | 45 | 45.3 | 19 |
| 10-16.50NHS (TL) | 51S3D1 | 8 | 30.5 | 10.7 | 8.25 | 92.1 | 4140 | 60 | 45.4 | 19 |
| 10-16.5 NHS (TL) XT* | 570140 | 10 | 30.6 | 10.8 | 8.25 | 90.3 | 4710 | 75 | 49.0 | 21 |
| 12-16.50NHS (TL) | 51S3C9 | 6 | 32.8 | 12.1 | 9.75 | 99.7 | 4220 | 40 | 57.0 | 23 |
| 12-16.5NHS (TL) | 51S3J7 | 10 | 32.8 | 12.1 | 9.75 | 99.7 | 5600 | 65 | 63.5 | 23 |
| 12-16.5 NHS (TL) XT* | 570141 | 12 | 32.8 | 12.5 | 9.75 | 95.6 | 6320 | 80 | 69.0 | 23 |
| 14-17.5NHS (TL) | 510027 | 6 | 35.7 | 13.7 | 10.50 | 109.5 | 4820 | 30 | 83.0 | 25 |
| 14-17.5NHS (TL) | 6A0284 | 10 | 36.2 | 13.7 | 10.50 | 107.3 | 6800 | 55 | 84.5 | 25 |
| 14-17.5NHS (TL) | 510039 | 14 | 36.1 | 14.1 | 10.50 | 109.5 | 8540 | 80 | 84.5 | 25 |
| 15-19.5NHS (TL) | 511729 | 6 | 40.0 | 15.6 | 12.25 | 119.1 | 6130 | 30 | 105.0 | 26 |
| 15-19.5NHS (TL) | 510024 | 12 | 39.7 | 16.2 | 12.25 | 117.2 | 9190 | 60 | 116.0 | 26 |
| 15x19.5NHS (TL) | 511702 | 14 | 39.7 | 16.2 | 12.25 | 117.2 | 10060 | 70 | 138.0 | 26 |
| 385/65D19.5 (TL) | 511703 | 16 | 40.1 | 16.3 | 12.30 | 118.9 | 11000 | 95 | 116.0 | 25 |

These tires are not for highway use. † Indicates mounted diameter and mounted width
 *NOTE: Tire sizes shown with the asterisk are Trac Chief XT (XT) tread pattern, used for heavier loads.


GUARD DOG HD
ULTRA GUARD
ULTRA GUARD MX
GENERAL DUTY SKID STEER AND COMPACT TRACTOR APPLICATIONS
GUARD DOG® HD

Designed for heavy-duty skid steers, the Guard Dog HD tire has premium tread compounds for tougher service conditions and rigorous construction applications. With its stepped-off outer tread lugs and squared shoulder design, the Guard Dog HD delivers maximum performance and stability on the work site. Made in the USA.

| SIZE | PRODUCT CODE | PLY RATING | DIAMETER† | WIDTH† | RIM WIDTH | ROLLING CIRC. | MAX CAPACITY @ 5 MPH | MAX PSI | TIRE WEIGHT | TREAD DEPTH (32nds) |
|--------------------|---------------|------------|-----------|--------|-----------|---------------|----------------------|---------|-------------|---------------------|
| 33x15.50-16.5 (TL) | 570031 | 12 | 32.8 | 14.4 | 12.00 | 97.3 | 6835 | 60 | 97.3 | 28 |
| 10-16.5NHS (TL) | 570130 | 10 | 30.9 | 10.3 | 8.30 | 90.3 | 4710 | 75 | 56.6 | 26 |
| 12-16.5NHS (TL) | 570131 | 12 | 32.7 | 12.1 | 9.75 | 95.6 | 6320 | 80 | 85.0 | 28 |

*NHS" tires are Non-Highway Service tires. † Indicates mounted diameter and mounted width

ULTRA GUARD®

Used for severe service skid steers, the Ultra Guard tire is engineered with an open shoulder design displaying a lug void essential for abrasive surface conditions. Its extra deep 44/32" tread depth shows a 70% increased depth than other premium skid steer products. With a tread yielding a 14% increased tire life and a thick sidewall buff bar for extra protection, the Ultra Guard tire is proven for absolute durability. Made in the USA.

| SIZE | PRODUCT CODE | PLY RATING | DIAMETER† | WIDTH† | RIM WIDTH | ROLLING CIRC. | MAX CAPACITY @ 5 MPH | MAX PSI | TIRE WEIGHT | TREAD DEPTH (32nds) |
|-----------------|---------------|------------|-----------|--------|-----------|---------------|----------------------|---------|-------------|---------------------|
| 10x16.5NHS (TL) | 560402 | 10 | 30.4 | 10.4 | 8.25 | 92.4 | 4710 | 75 | 79.3 | 44 |
| 12x16.5NHS (TL) | 560403 | 12 | 32.7 | 12.1 | 9.75 | 99.0 | 6320 | 80 | 99.6 | 44 |

*NHS" tires are Non-Highway Service tires. † Indicates mounted diameter and mounted width

ULTRA GUARD® MX

The Ultra Guard MX tire is engineered for Severe Duty skid steer applications. Designed with a unique large angled, non-directional center lug tread design, the Ultra Guard MX delivers increased performance on soft and hard surfaces. Made in the USA.

| SIZE | PRODUCT CODE | PLY RATING | DIAMETER† | WIDTH† | RIM WIDTH | ROLLING CIRC. | MAX CAPACITY @ 5 MPH | MAX PSI | TIRE WEIGHT | TREAD DEPTH (32nds) |
|------------------|---------------|------------|-----------|--------|-----------|---------------|----------------------|---------|-------------|---------------------|
| 10-16.5 NHS (TL) | 6A0325 | 10 | 31.5 | 11.0 | 8.25 | 92.2 | 4710 | 75 | 73.0 | 42 |
| 12-16.5 NHS (TL) | 6A0326 | 14 | 32.7 | 13.0 | 9.75 | 95.9 | 6780 | 90 | 100.0 | 42 |
| 14-17.5 NHS (TL) | 6A0327 | 14 | 36.3 | 14.4 | 10.50 | 106.2 | 8540 | 80 | 117.0 | 42 |

These tires are not for highway use.

† Indicates mounted diameter and mounted width



FSTR

CSL24

CSL32

CSL45

CSL48

CSL66

HEAVY DUTY, LARGE TRACTOR APPLICATIONS

FSTR

The FSTR is a line of R1–W radial tires with rim diameters ranging from a 16” to 48”. The radial construction of these tires will deliver the traction and smooth ride for farmers to increase their efficiency in the field.

| CARLISLE LINE | SIZE PLATE | US SKU | PLY LOAD INDEX | PRIMARY LOAD RATING | | SW (IN) | OD (IN) | TREAD DEPTH (AT CENTER) 32NDS | ROLLING CIRCUMFERENCE (INCHES) | STATIC LOAD RADIUS (INCHES) |
|---------------|-----------------|---------|----------------|---------------------|----------------|---------|---------|-------------------------------|--------------------------------|-----------------------------|
| | | | | LOAD CAPACITY (LBS) | PRESSURE (PSI) | | | | | |
| FSTR | 240/70 R16 (TL) | 6A06802 | 104A8 | 1,984 | 34 | 9.65 | 29.33 | 35 | 88 | 13.2 |
| FSTR | 260/70 R16 (TL) | 6A06812 | 109A8 | 2,271 | 34 | 10.24 | 30.31 | 37 | 91 | 13.6 |
| FSTR | 280/70 R16 (TL) | 6A06822 | 112A8 | 2,469 | 34 | 11.10 | 31.42 | 40 | 94 | 14.0 |
| FSTR | 280/70 R18 (TL) | 6A06832 | 114A8 | 2,601 | 34 | 11.10 | 33.43 | 40 | 100 | 15.0 |
| FSTR | 280/70 R20 (TL) | 6A06842 | 116A8 | 2,756 | 34 | 11.10 | 35.43 | 43 | 106 | 15.9 |
| FSTR | 280/85 R20 (TL) | 6A07052 | 112A8 | 2,469 | 23 | 11.10 | 38.74 | 43 | 116 | 17.4 |
| FSTR | 9.5R20 (TL) | 6A05652 | 108A8 | 2,205 | 23 | 9.49 | 36.93 | 42 | 111 | 16.6 |
| FSTR | 300/70 R20 (TL) | 6A06852 | 120A8 | 3,086 | 34 | 11.61 | 37.48 | 44 | 112 | 16.8 |
| FSTR | 320/70 R20 (TL) | 6A06862 | 113A8 | 2,535 | 23 | 12.56 | 38.66 | 43 | 116 | 17.3 |
| FSTR | 320/85 R20 (TL) | 6A07062 | 119A8 | 2,998 | 23 | 12.56 | 41.42 | 44 | 124 | 18.5 |
| FSTR | 360/70 R20 (TL) | 6A06872 | 129A8 | 4,079 | 34 | 14.06 | 41.02 | 50 | 122 | 18.3 |
| FSTR | 280/85 R24 (TL) | 6A05662 | 115A8 | 2,680 | 23 | 11.10 | 42.76 | 49 | 128 | 19.2 |
| FSTR | 320/70 R24 (TL) | 6A06882 | 116A8 | 2,756 | 23 | 12.56 | 43.11 | 47 | 129 | 19.4 |
| FSTR | 320/85 R24 (TL) | 6A07082 | 122A8 | 3,307 | 23 | 12.56 | 45.43 | 49 | 136 | 20.4 |
| FSTR | 340/85 R24 (TL) | 6A05672 | 125A8 | 3,640 | 23 | 13.50 | 46.77 | 54 | 140 | 21.0 |
| FSTR | 360/70 R24 (TL) | 6A06892 | 122A8 | 3,307 | 23 | 14.06 | 45.35 | 52 | 136 | 20.3 |
| FSTR | 380/70 R24 (TL) | 6A06902 | 125A8 | 3,638 | 23 | 14.96 | 46.85 | 55 | 140 | 21.0 |
| FSTR | 380/85 R24 (TL) | 6A05722 | 131A8 | 4,300 | 23 | 14.96 | 49.45 | 55 | 147 | 22.1 |
| FSTR | 420/70 R24 (TL) | 6A06912 | 130A8 | 4,189 | 23 | 16.46 | 49.13 | 54 | 147 | 22.0 |
| FSTR | 420/85 R24 (TL) | 6A07112 | 137A8 | 5,071 | 23 | 16.46 | 52.13 | 54 | 155 | 23.3 |
| FSTR | 440/65 R24 (TL) | 6A06732 | 128D | 3,968 | 35 | 17.52 | 46.65 | 50 | 139 | 20.9 |
| FSTR | 460/70 R24 (TL) | 6A06922 | 152A8 | 7,826 | 46 | 18.11 | 49.61 | 47 | 148 | 22.2 |
| FSTR | 480/65 R24 (TL) | 6A06742 | 133D | 4,542 | 35 | 18.90 | 48.62 | 52 | 145 | 21.8 |
| FSTR | 480/70 R26 (TL) | 6A08322 | 139A8 | 5,357 | 23 | 18.90 | 54.33 | 57 | 162 | 24.3 |


FSTR (continued)

| CARLISLE LINE | SIZE PLATE | SKU | PRIMARY LOAD RATING | | | SW (IN) | OD (IN) | TREAD DEPTH (AT CENTER) 32NDS | FOLLING CIRCUMFERENCE (INCHES) | STATIC LOAD RADIUS (INCHES) |
|---------------|-----------------|---------|---------------------|---------------------------|-------------------|---------|---------|-------------------------------------|--------------------------------------|--------------------------------|
| | | | LOAD INDEX | LOAD CAPACITY (LBS) | PRESSURE (PSI) | | | | | |
| FSTR | 750/65 R26 (TL) | 6A08342 | 166A8 | 11,685 | 34 | 29.72 | 64.57 | 63 | 192 | 28.7 |
| FSTR | 280/85 R28 (TL) | 6A07122 | 118A8 | 2,910 | 23 | 11.10 | 46.73 | 49 | 140 | 21.1 |
| FSTR | 320/85 R28 (TL) | 6A07132 | 124A8 | 3,527 | 23 | 12.60 | 49.41 | 52 | 148 | 22.2 |
| FSTR | 340/85 R28 (TL) | 6A07142 | 127A8 | 3,858 | 23 | 13.50 | 50.75 | 53 | 152 | 22.8 |
| FSTR | 360/70 R28 (TL) | 6A06932 | 125A8 | 3,638 | 23 | 14.06 | 49.41 | 53 | 148 | 22.2 |
| FSTR | 380/70 R28 (TL) | 6A06942 | 127A8 | 3,858 | 23 | 14.96 | 50.91 | 55 | 153 | 22.9 |
| FSTR | 380/85 R28 (TL) | 6A05702 | 133A8 | 4,540 | 23 | 14.96 | 53.43 | 55 | 160 | 24.0 |
| FSTR | 420/70 R28 (TL) | 6A06952 | 133A8 | 4,542 | 23 | 16.46 | 53.19 | 54 | 159 | 23.9 |
| FSTR | 420/85 R28 (TL) | 6A05712 | 139A8 | 5,360 | 23 | 16.46 | 56.10 | 58 | 168 | 25.1 |
| FSTR | 440/65 R28 (TL) | 6A06752 | 131D | 4,299 | 35 | 17.52 | 50.59 | 52 | 152 | 22.8 |
| FSTR | 480/65 R28 (TL) | 6A06762 | 142D | 5,842 | 35 | 18.90 | 52.64 | 52 | 158 | 23.7 |
| FSTR | 480/70 R28 (TL) | 6A06962 | 140A8 | 5,512 | 23 | 18.90 | 56.10 | 58 | 168 | 25.1 |
| FSTR | 540/65 R28 (TL) | 6A06772 | 149D | 7,165 | 35 | 21.65 | 55.91 | 57 | 167 | 25.1 |
| FSTR | 380/85 R30 (TL) | 6A06532 | 135A8 | 4,800 | 23 | 14.96 | 55.43 | 55 | 166 | 24.9 |
| FSTR | 420/70 R30 (TL) | 6A06972 | 134A8 | 4,674 | 23 | 16.46 | 55.12 | 55 | 165 | 24.8 |
| FSTR | 420/85 R30 (TL) | 6A05692 | 140A8 | 5,520 | 23 | 16.46 | 58.11 | 60 | 174 | 26.1 |
| FSTR | 460/85 R30 (TL) | 6A05732 | 145A8 | 6,400 | 23 | 17.91 | 60.79 | 66 | 181 | 27.2 |
| FSTR | 480/70 R30 (TL) | 6A06982 | 141A8 | 5,677 | 23 | 18.90 | 58.27 | 55 | 174 | 26.2 |
| FSTR | 600/70R30 (TL) | 6A08132 | 158A8 | 9,370 | 34 | 23.43 | 63.19 | 67 | 188 | 28.3 |
| FSTR | 620/75 R30 (TL) | 6A07032 | 163A8 | 10,748 | 35 | 24.80 | 66.73 | 73 | 198 | 29.8 |
| FSTR | 210/95 R32 (TL) | 6A07292 | 114A8 | 2,601 | 34 | 8.46 | 47.83 | 39 | 144 | 21.6 |
| FSTR | 230/95 R32 (TL) | 6A07302 | 128A8 | 3,968 | 58 | 9.06 | 49.41 | 40 | 149 | 22.3 |
| FSTR | 270/95 R32 (TL) | 6A07312 | 136A8 | 4,938 | 58 | 10.83 | 52.36 | 49 | 158 | 23.6 |
| FSTR | 650/75 R32 (TL) | 6A07042 | 172A8 | 13,889 | 46 | 25.59 | 70.67 | 74 | 210 | 31.5 |
| FSTR | 420/85 R34 (TL) | 6A07202 | 142A8 | 5,842 | 23 | 16.46 | 62.13 | 60 | 186 | 27.9 |
| FSTR | 460/85 R34 (TL) | 6A05742 | 147A8 | 6,800 | 23 | 17.91 | 64.80 | 66 | 194 | 29.1 |
| FSTR | 480/70 R34 (TL) | 6A06992 | 143A8 | 6,008 | 23 | 18.86 | 62.20 | 59 | 187 | 28.0 |
| FSTR | 340/85 R36 (TL) | 6A07222 | 132A8 | 4,409 | 23 | 13.50 | 58.86 | 54 | 177 | 26.6 |
| FSTR | 340/85 R38 (TL) | 6A07232 | 133A8 | 4,542 | 23 | 13.50 | 60.83 | 54 | 183 | 27.5 |
| FSTR | 380/85 R38 (TL) | 6A07242 | 139A8 | 5,357 | 23 | 14.96 | 63.43 | 55 | 191 | 28.6 |
| FSTR | 420/85 R38 (TL) | 6A07252 | 144A8 | 6,173 | 23 | 16.46 | 66.10 | 60 | 199 | 29.8 |
| FSTR | 460/85 R38 (TL) | 6A06582 | 149A8 | 7,150 | 23 | 17.91 | 68.78 | 66 | 206 | 30.9 |
| FSTR | 480/70 R38 (TL) | 6A07002 | 145A8 | 6,393 | 23 | 18.90 | 66.34 | 62 | 199 | 29.9 |
| FSTR | 520/70 R38 (TL) | 6A07012 | 150A8 | 7,385 | 23 | 20.31 | 68.90 | 66 | 207 | 31.0 |



FSTR (continued)

| CARLISLE LINE | SIZE PLATE | SKU | PRIMARY LOAD RATING | | | SW (IN) | OD (IN) | TREAD DEPTH (AT CENTER) 32NDS | ROLLING CIRCUMFERENCE (INCHES) | STATIC LOAD RADIUS (INCHES) |
|---------------|-----------------|---------|---------------------|---------------------|----------------|---------|---------|-------------------------------------|--------------------------------------|--------------------------------|
| | | | LOAD INDEX | LOAD CAPACITY (LBS) | PRESSURE (PSI) | | | | | |
| FSTR | 520/85 R38 (TL) | 6A05792 | 155A8 | 8,550 | 23 | 20.31 | 72.80 | 69 | 218 | 32.7 |
| FSTR | 580/70 R38 (TL) | 6A07022 | 155A8 | 8,543 | 23 | 22.83 | 72.05 | 69 | 216 | 32.4 |
| FSTR | 600/65 R38 (TL) | 6A06782 | 159D | 9,645 | 35 | 23.43 | 68.90 | 58 | 207 | 31.0 |
| FSTR | 650/65 R38 (TL) | 6A06792 | 163D | 10,748 | 34 | 25.59 | 71.65 | 72 | 215 | 32.2 |
| FSTR | 710/70R38 (TL) | 6A08142 | 171D | 13,558 | 34 | 27.95 | 77.13 | 72 | 231 | 34.6 |
| FSTR | 480/80 R42 (TL) | 6A06562 | 151A8 | 7,606 | 23 | 19.09 | 72.64 | 66 | 218 | 32.7 |
| FSTR | 520/85 R42 (TL) | 6A07282 | 157A8 | 9,094 | 23 | 20.31 | 76.97 | 71 | 231 | 34.6 |
| FSTR | 210/95 R44 (TL) | 6A07322 | 120A8 | 3,086 | 34 | 8.46 | 59.84 | 40 | 181 | 27.1 |
| FSTR | 230/95 R44 (TL) | 6A07332 | 132A8 | 4,409 | 58 | 9.06 | 61.42 | 42 | 186 | 27.8 |
| FSTR | 300/95 R46 (TL) | 6A07342 | 148A8 | 6,945 | 58 | 11.81 | 68.50 | 50 | 207 | 31.0 |
| FSTR | 320/90 R46 (TL) | 6A08362 | 146A8 | 6,614 | 46 | 12.60 | 68.90 | 52 | 208 | 31.2 |
| FSTR | 380/90 R46 (TL) | 6A08352 | 159D | 9,645 | 58 | 14.96 | 73.23 | 57 | 221 | 33.1 |
| FSTR | 480/80 R46 (TL) | 6A08332 | 164A8 | 11,023 | 46 | 19.09 | 76.57 | 66 | 230 | 34.6 |
| FSTR | 230/95 R48 (TL) | 6A07352 | 136A8 | 4,938 | 58 | 9.06 | 65.35 | 45 | 198 | 29.6 |

CSL24

The CSL24 Bias R1 Tires Series offers an angled tread that provides traction and long life. Its excellent grip with enhanced cut and chip resistant tread is designed for use with tractors, sprayers and harvesters.

| CARLISLE LINE | SIZE PLATE | SKU | PLY | PRIMARY LOAD RATING | | | SW (IN) | OD (IN) | TREAD DEPTH (AT CENTER) 32NDS | ROLLING CIRCUMFERENCE (INCHES) | STATIC LOAD RADIUS (INCHES) |
|---------------|--------------|---------|-----|---------------------|----------------|-------|---------|---------|-------------------------------------|--------------------------------------|--------------------------------|
| | | | | LOAD CAPACITY (LBS) | PRESSURE (PSI) | | | | | | |
| CSL24 | 11.2-24 (TT) | 6A05952 | 6 | 2,090 | 26 | 11.18 | 43.50 | 44 | 130 | 19.6 | |
| CSL24 | 11.2-24 (TT) | 6A05962 | 8 | 2,540 | 36 | 11.18 | 43.50 | 44 | 130 | 19.6 | |
| CSL24 | 12.4-24 (TT) | 6A05982 | 6 | 2,400 | 24 | 12.40 | 45.67 | 43 | 137 | 20.5 | |
| CSL24 | 12.4-24 (TT) | 6A05992 | 8 | 2,830 | 32 | 12.40 | 45.67 | 43 | 137 | 20.5 | |
| CSL24 | 13.6-24 (TT) | 6A06002 | 6 | 2,680 | 22 | 13.58 | 47.64 | 45 | 142 | 21.4 | |
| CSL24 | 13.6-24 (TT) | 6A06012 | 8 | 3,080 | 28 | 13.58 | 47.64 | 45 | 142 | 21.4 | |
| CSL24 | 14.9-24 (TT) | 6A06032 | 6 | 3,000 | 20 | 14.88 | 49.80 | 44 | 149 | 22.3 | |
| CSL24 | 14.9-24 (TT) | 6A06042 | 8 | 3,520 | 26 | 14.88 | 49.80 | 44 | 149 | 22.3 | |
| CSL24 | 8.3-24 (TT) | 6A05912 | 6 | 1,570 | 34 | 8.27 | 39.72 | 31 | 119 | 17.8 | |
| CSL24 | 9.5-24 (TT) | 6A05932 | 6 | 1,870 | 30 | 9.49 | 41.34 | 34 | 124 | 18.5 | |
| CSL24 | 14.9-26 (TT) | 6A06142 | 10 | 4,080 | 32 | 14.88 | 51.77 | 45 | 154 | 23.2 | |
| CSL24 | 18.4-26 (TT) | 6A06072 | 10 | 5,200 | 26 | 18.39 | 57.52 | 47 | 171 | 25.7 | |


HEAVY DUTY, LARGE TRACTOR APPLICATIONS
CSL24 (continued)

| CARLISLE LINE | SIZE PLATE | SKU | PLY | PRIMARY LOAD RATING | | SW (IN) | OD (IN) | TREAD DEPTH (AT CENTER) 32NDS | ROLLING CIRCUMFERENCE (INCHES) | STATIC LOAD RADIUS (INCHES) |
|---------------|--------------|---------|-----|---------------------|----------------|---------|---------|-------------------------------|--------------------------------|-----------------------------|
| | | | | LOAD CAPACITY (LBS) | PRESSURE (PSI) | | | | | |
| CSL24 | 23.1-26 (TL) | 6A06382 | 14 | 7,850 | 28 | 23.11 | 63.19 | 55 | 187 | 28.1 |
| CSL24 | 11.2-28 (TT) | 6A06082 | 6 | 2,200 | 26 | 11.18 | 47.44 | 42 | 142 | 21.3 |
| CSL24 | 12.4-28 (TT) | 6A06102 | 6 | 2,540 | 24 | 12.40 | 49.61 | 43 | 148 | 22.2 |
| CSL24 | 12.4-28 (TT) | 6A06112 | 8 | 3,080 | 34 | 12.40 | 49.61 | 43 | 148 | 22.2 |
| CSL24 | 13.6-28 (TT) | 6A06122 | 6 | 2,830 | 22 | 13.58 | 51.57 | 45 | 154 | 23.1 |
| CSL24 | 13.6-28 (TT) | 6A06132 | 8 | 3,300 | 28 | 13.58 | 51.57 | 45 | 154 | 23.1 |
| CSL24 | 14.9-28 (TT) | 6A06152 | 6 | 3,200 | 20 | 14.88 | 53.74 | 45 | 160 | 24.0 |
| CSL24 | 14.9-28 (TT) | 6A06192 | 8 | 3,740 | 26 | 14.88 | 53.74 | 45 | 160 | 24.0 |
| CSL24 | 16.9-28 (TT) | 6A06172 | 8 | 4,300 | 24 | 16.89 | 56.50 | 48 | 168 | 25.3 |
| CSL24 | 16.9-28 (TT) | 6A06182 | 10 | 4,680 | 28 | 16.89 | 56.50 | 48 | 168 | 25.3 |
| CSL24 | 14.9-30 (TT) | 6A06202 | 8 | 3,860 | 26 | 14.88 | 55.71 | 47 | 166 | 24.9 |
| CSL24 | 14.9-30 (TT) | 6A06332 | 10 | 4,300 | 32 | 14.88 | 55.71 | 47 | 166 | 24.9 |
| CSL24 | 16.9-30 (TT) | 6A06222 | 8 | 4,400 | 24 | 16.89 | 58.46 | 48 | 174 | 26.1 |
| CSL24 | 16.9-30 (TT) | 6A06432 | 10 | 4,940 | 28 | 16.89 | 58.46 | 48 | 174 | 26.1 |
| CSL24 | 18.4-30 (TT) | 6A06232 | 8 | 4,800 | 20 | 18.39 | 61.02 | 47 | 182 | 27.2 |
| CSL24 | 18.4-30 (TT) | 6A06242 | 10 | 5,520 | 26 | 18.39 | 61.02 | 47 | 182 | 27.2 |
| CSL24 | 16.9-34 (TT) | 6A06262 | 8 | 4,680 | 24 | 16.89 | 62.40 | 44 | 186 | 27.9 |
| CSL24 | 16.9-34 (TT) | 6A06272 | 10 | 5,200 | 28 | 16.89 | 62.40 | 44 | 186 | 27.9 |
| CSL24 | 18.4-34 (TT) | 6A06282 | 10 | 6,000 | 26 | 18.39 | 64.96 | 47 | 193 | 29.0 |
| CSL24 | 12.4-38 (TT) | 6A06302 | 8 | 3,520 | 32 | 12.40 | 59.65 | 44 | 178 | 26.7 |
| CSL24 | 13.6-38 (TT) | 6A06312 | 6 | 3,300 | 22 | 13.58 | 61.61 | 45 | 184 | 27.6 |
| CSL24 | 15.5-38 (TT) | 6A06162 | 8 | 4,080 | 26 | 15.51 | 61.81 | 47 | 184 | 27.7 |
| CSL24 | 16.9-38 (TT) | 6A06352 | 8 | 4,940 | 24 | 16.89 | 66.34 | 48 | 198 | 29.6 |
| CSL24 | 18.4-38 (TT) | 6A06362 | 10 | 6,400 | 26 | 18.39 | 68.90 | 48 | 205 | 30.8 |
| CSL24 | 18.4-38 (TT) | 6A06372 | 14 | 7,600 | 36 | 18.39 | 68.90 | 48 | 205 | 30.8 |



CSL32

The CSL32 Bias R-1 tire is designed with overlapping center tread lugs to deliver maximum strength. This product is designed to provide maximum performance in both wet and dry soil and offers a great size range and traction for older tractors.

| | | | | PRIMARY LOAD RATING | | | | | | | |
|---------------|--------------|---------|-----|---------------------|----------------|---------|---------|-------------------------------|--------------------------------|-----------------------------|--|
| CARLISLE LINE | SIZE PLATE | SKU | PLY | LOAD CAPACITY (LBS) | PRESSURE (PSI) | SW (IN) | OD (IN) | TREAD DEPTH (AT CENTER) 32NDS | ROLLING CIRCUMFERENCE (INCHES) | STATIC LOAD RADIUS (INCHES) | |
| CSL32 | 16.9-30 (TT) | 6A06502 | 8 | 4,400 | 24 | 16.89 | 58.46 | 48 | 174 | 26.1 | |
| CSL32 | 15.5-38 (TT) | 6A06512 | 8 | 4,080 | 26 | 15.51 | 61.81 | 47 | 184 | 27.7 | |
| CSL32 | 16.9-38 (TT) | 6A06522 | 8 | 4,940 | 24 | 16.89 | 66.34 | 48 | 198 | 29.6 | |

CSL45

The CSL45 Heavy Duty Skid Steer Series is designed for use in mixed surfaces. The unique tread compound has been formulated to reduce downtime from cuts and punctures.

| | | | | PRIMARY LOAD RATING | | | | | | | |
|---------------|--------------|---------|-----|---------------------|----------------|---------|---------|-------------------------------|--------------------------------|-----------------------------|--|
| CARLISLE LINE | SIZE PLATE | SKU | PLY | LOAD CAPACITY (LBS) | PRESSURE (PSI) | SW (IN) | OD (IN) | TREAD DEPTH (AT CENTER) 32NDS | ROLLING CIRCUMFERENCE (INCHES) | STATIC LOAD RADIUS (INCHES) | |
| CSL45 | 10-16.5 (TL) | 6A06482 | 12 | 5,240 | 90 | 11.10 | 30.51 | 38 | 92 | 13.8 | |
| CSL45 | 12-16.5 (TL) | 6A06492 | 14 | 6,780 | 90 | 12.60 | 33.31 | 43 | 100 | 15.0 | |

CSL48

The CSL48 R3 Diamond Tread tire features a high floatation and turf-friendly design. It's optimal for tractor applications where low ground pressure is required such as golf courses or sandy soil as well as highway use.

| | | | | PRIMARY LOAD RATING | | | | | | | |
|---------------|--------------|---------|-----|---------------------|----------------|---------|---------|-------------------------------|--------------------------------|-----------------------------|--|
| CARLISLE LINE | SIZE PLATE | SKU | PLY | LOAD CAPACITY (LBS) | PRESSURE (PSI) | SW (IN) | OD (IN) | TREAD DEPTH (AT CENTER) 32NDS | ROLLING CIRCUMFERENCE (INCHES) | STATIC LOAD RADIUS (INCHES) | |
| CSL48 | 23.1-26 (TL) | 6A06452 | 10 | 6,400 | 20 | 23.11 | 62.20 | 35 | 184 | 27.6 | |
| CSL48 | 23.1-26 (TL) | 6A06462 | 12 | 7,150 | 24 | 23.11 | 62.20 | 35 | 184 | 27.6 | |
| CSL48 | 23.1-26 (TL) | 6A06472 | 14 | 7,850 | 28 | 23.11 | 62.20 | 35 | 184 | 27.6 | |

CSL66

The CSL 66 Loader/Grader Tires feature a center lug design and provide steering stability in soft ground.

| | | | | PRIMARY LOAD RATING | | | | | | | |
|---------------|----------------------|---------|-----|---------------------|----------------|---------|---------|-------------------------------|--------------------------------|-----------------------------|--|
| CARLISLE LINE | SIZE PLATE | SKU | PLY | LOAD CAPACITY (LBS) | PRESSURE (PSI) | SW (IN) | OD (IN) | TREAD DEPTH (AT CENTER) 32NDS | ROLLING CIRCUMFERENCE (INCHES) | STATIC LOAD RADIUS (INCHES) | |
| CSL66 | 13.00-24 TG NHS (TL) | 6A06602 | 16 | 7,150 | 58 | 13.19 | 50.39 | 29 | 149 | 22.4 | |
| CSL66 | 14.00-24 TG NHS (TL) | 6A06612 | 16 | 8,050 | 51 | 15.04 | 53.31 | 31 | 158 | 23.7 | |

Industrial

ALL PURPOSE



**INDUSTRIAL
DEEP TRACTION** 56



**ROAD
ROLLER** 56



**INDUSTRIAL
ALL PURPOSE** 56



**PREMIUM
WIDE TRAC** 57



**GROUND FORCE®
ULTRA RIB** 57






INDUSTRIAL DEEP TRACTION
ROAD ROLLER
INDUSTRIAL ALL PURPOSE
MATERIAL HANDLING, MINING, COMPACTION AND ROAD PAVING EQUIPMENT
INDUSTRIAL DEEP TRACTION

With its flat tread and reinforced beads, the Industrial Deep Traction tire is an essential standard duty tire that delivers stability and long lasting performance.

| SIZE | PRODUCT CODE | PLY RATING | DIAMETER† | WIDTH† | RIM WIDTH | MAX CAPACITY @ 10 MPH | MAX PSI | TIRE WEIGHT | TREAD DEPTH (32nds) |
|---------------------|--------------|------------|-----------|--------|-----------|-----------------------|---------|-------------|---------------------|
| 5.70/5.00-8NHS (TT) | 60126 | 8 | 18.2 | 5.5 | 4.5/3.0 | 1830* | 115 | 11.9 | 9 |
| 6.90/6.00-9NHS (TT) | 60101 | 10 | 21.9 | 6.9 | 5.5/4.0 | 3715 | 125 | 20.3 | 19 |
| 6.50-10NHS (TT) | 60105 | 10 | 23.4 | 7.4 | 5.00 | 4225 | 115 | 25.4 | 20 |
| 7.00-12NHS (TT) | 60102 | 12 | 27.4 | 7.8 | 5.00 | 5995 | 125 | 36.8 | 21 |
| 8.25-15NHS (TT) | 60104 | 12 | 33.6 | 9.8 | 6.50 | 8680 | 105 | 59.4 | 23 |
| 29x8.00-15NHS (TT) | 60103 | 12 | 29.2 | 7.5 | 5.50 | 6870 | 125 | 47.9 | 25 |

*"NHS" tires are Non-Highway Service tires. Flap is included for these tube type (TT) tires. Unless otherwise noted, load limits listed are for the Load Wheel on Counter balanced Lift Trucks. Tire load limits will be lower if used on continuous service Industrial Vehicles.

**NOTE: Load limit listed for Steer Wheel on Counterbalanced Lift Truck at 15 MPH.

† Indicates mounted diameter and mounted width

ROAD ROLLER

The Road Roller tire offers a smooth and steady tread for a consistent and leveled ride. With superior heat resistant nylon fabric belts, this tire supports heavy-duty handling with effortless execution.

| SIZE | PRODUCT CODE | PLY RATING | DIAMETER† | WIDTH† | RIM WIDTH | MAX CAPACITY @ 10 MPH | MAX PSI | TIRE WEIGHT |
|-------------------|---------------|------------|-----------|--------|-----------|-----------------------|---------|-------------|
| 7.50-15NHS (TT)* | 60127 | 12 | 30.9 | 8.6 | 6.00 | 5860 | 110 | 44.7 |
| 7.50-15NHS (TT) | 60128 | 14 | 30.9 | 8.6 | 6.00 | 6300 | 125 | 49.3 |
| 8.5/90-15K (TL)** | 58R3A2 | 6 | 30.9 | 8.6 | 6.00 | 3900 | 50 | 46.9 |

*For 7.50-15 size tube type. Use 5 degree flat base rim. Flap is included for the tube type (TT) tires.

**For 5 Degree Drop Center Rim only. Flap is included for the tube type (TT) tires.

† Indicates mounted diameter and mounted width

INDUSTRIAL ALL PURPOSE

Designed with two different rib patterns throughout the tread, the Industrial All Purpose tire presents a multi-purpose service of both traction and support with optimized weight distribution for stability with heavy equipment.

| SIZE | PRODUCT CODE | PLY RATING | DIAMETER† | WIDTH† | RIM WIDTH | MAX CAPACITY @ 10 MPH | MAX PSI | TIRE WEIGHT | TREAD DEPTH (32nds) |
|------------|--------------|------------|-----------|--------|-----------|-----------------------|---------|-------------|---------------------|
| 7.50-10 TT | 60100 | E | 25.3 | 7.6 | 5.50 | 1975 | 90 | 24.4 | 12 |

Flap is included for these tube type (TT) tire.

† Indicates mounted diameter and mounted width



PREMIUM WIDE TRAC

GROUND FORCE ULTRA RIB GSE

MATERIAL HANDLING, MINING, COMPACTION AND ROAD PAVING EQUIPMENT

PREMIUM WIDE TRAC

The Premium Wide Trac tire offers superior level design with an extra heavy-duty sidewall for material handling applications. Its durable construction resists abrasions in sever conditions to maximize efficiency.

| SIZE | PRODUCT CODE | PLY RATING | DIAMETER† | WIDTH† | RIM WIDTH | MAX CAPACITY @ 10 MPH | MAX PSI | TIRE WEIGHT | TREAD DEPTH (32nds) |
|---------------------|--------------|------------|-----------|--------|-----------|-----------------------|---------|-------------|---------------------|
| 5.70/5.00-8NHS (TT) | 60118 | 8 | 18.2 | 5.4 | 3.00 | 1930 | 120 | 15.0 | 17 |
| 5.70/5.00-8NHS (TT) | 60122 | 10 | 18.5 | 5.5 | 4.5/3.0 | 2340 | 150 | 15.5 | 17 |
| 6.90/6.00-9NHS (TT) | 60110 | 10 | 22.2 | 6.0 | 4.00 | 3715 | 125 | 28.6 | 32 |
| 6.50-10NHS (TT) | 60116 | 10 | 23.8 | 7.1 | 5.00 | 4225 | 115 | 37.8 | 32 |
| 7.00-12NHS (TT) | 60111 | 12 | 27.3 | 7.5 | 5.00 | 7690 | 125 | 51.5 | 32 |
| 8.25-15NHS (TT) | 60121 | 14 | 33.6 | 9.8 | 6.50 | 9385 | 120 | 85.4 | 24 |
| 28x9.00-15NHS (TT) | 60119 | 12 | 27.3 | 8.8 | 7.00 | 6880 | 120 | 52.7 | 18 |
| 28x9.00-15NHS (TT) | 60120 | 14 | 27.3 | 8.9 | 7.00 | 7530 | 140 | 53.5 | 18 |
| 29x8.00-15NHS (TT) | 60112 | 12 | 28.9 | 7.5 | 5.50 | 6870 | 125 | 57.3 | 32 |
| 2.50-15NHS (TT) | 60123 | 18 | 29.1 | 9.1 | 7.50 | 10100 | 150 | 70.4 | 24 |
| 3.00-15NHS (TT) | 60124 | 20 | 32.7 | 11.3 | 8.00 | 14500 | 135 | 120.2 | 26 |
| 28x12.00-15NHS (TT) | 60115 | 20 | 28.1 | 11.5 | 9.75 | 10800 | 150 | 86.0 | 24 |
| 7.50-16.00NHS (TT) | 60125 | 12 | 32.3 | 8.5 | 6.00 | 8000 | 115 | 57.1 | 22 |

Flap is included for these tube type (TT) tires.

Unless otherwise noted, load limits listed are for the Load Wheel on Counterbalanced Lift Trucks.

Tire load limits will be lower if used on continuous service Industrial Vehicles.

† Indicates mounted diameter and mounted width

GROUND FORCE® ULTRA RIB GSE

Combined with a sturdy rib tread pattern and premium tread compounds, the Ground Force Ultra Rib GSE tire is specially designed for optimal performance on ground support equipment.

| SIZE | PRODUCT CODE | PLY RATING | DIAMETER† | WIDTH† | RIM WIDTH | MAX CAPACITY @ 10 MPH | MAX PSI | TIRE WEIGHT | TREAD DEPTH (32nds) |
|---------------------|---------------|------------|-----------|--------|-----------|-----------------------|---------|-------------|---------------------|
| 4.80-8NHS (TT) | 60133 | 8 | 16.5 | 4.8 | 3.80 | 1160 | 145 | 10.7 | 11 |
| 5.70-8NHS (TT) | 60132 | 8 | 18.4 | 5.9 | 3.80 | 1470 | 120 | 12.8 | 11 |
| 6.50-10NHS (TT) | 60109 | 10 | 23.2 | 7.1 | 5.00 | 2535 | 115 | 28.6 | 24 |
| 6.90-6.00-9NHS (TT) | 60131 | 10 | 21.6 | 6.8 | 4.00 | 2200 | 125 | 26.0 | 24 |
| 9.00-10NHS (TT) | 60108 | 10 | 27.2 | 9.7 | 6.00 | 3720 | 85 | 34.5 | 9 |
| 175/80D13NHS (TL) | 52N3T9 | 8 | 23.7 | 6.1 | 5.00 | 2070 | 115 | 27.4 | 24 |

A flap is included for the Ground Force Ultra Rib GSE Tube Type (TT) tires.

"NHS" tires are Non-Highway Service tires.

† Indicates mounted diameter and mounted width

Wheels



**NON-REVERSIBLE,
SOLID CENTER, OFF
WHITE AG WHEEL** 60



**REVERSIBLE, COINED OFF
WHITE AG WHEELS WITHOUT
VALVE GUARD** 60



**HIGHWAY
SUPREME TRAILER
WHEELS WHITE** 60



**HIGHWAY
SUPREME TRAILER
WHEELS SILVER** 61



**HIGHWAY EIGHT
SPOKE TRAILER
WHEELS WHITE** 61



**HIGHWAY EIGHT
SPOKE TRAILER
WHEELS GALVANIZED** 61



**HIGHWAY
STANDARD TRAILER
WHEELS WHITE** 62



**HIGHWAY
STANDARD TRAILER
WHEELS GALVANIZED** 62



**4 WINDOW DUAL
TRAILER WHEELS** 62



**INTRUDER ALUMINUM
TRAILER WHEELS MATTE BLACK
WITH MACHINED ACCENTS** 63



**INTRUDER ALUMINUM
TRAILER WHEELS
SILVER PAINTED** 63



**CROSSTRAX TRAILER
WHEELS MACHINED WITH
BLACK/SILVER ACCENTS** 63





OFF WHITE AG WHEEL



OFF WHITE AG WHEEL, WITHOUT VALVE GUARD



HIGHWAY SUPREME, WHITE WITH STRIPES

FRONT TRACTORS, WAGONS, BALERS, SPREADERS, SEEDERS, IRRIGATION SYSTEMS AND FEED YARD SCRAPERS

NON-REVERSIBLE, SOLID CENTER, OFF WHITE AG WHEEL (BOXED)

| PART NUMBER | RIM SIZE | BOLT PATTERN | OFFSET | WEIGHT | CENTER BORE (IN.) | DISC THICKNESS | RIM THICKNESS |
|-------------|----------|--------------|---------|--------|-------------------|----------------|---------------|
| 1519293038 | 15x6 JJ | 6-6.0 | 0.875" | 24.5 | 4.64 | 0.240" | 0.138" |
| 1519294038 | 15x8 JJ | 6-6.0 | 1.125" | 28.0 | 4.64 | 0.240" | 0.138" |
| 1526848038 | 15x8 LB | 6-6.0 | 1.125" | 35.0 | 4.64 | 0.240" | 0.188" |
| 1519299038 | 15x8 JJ | 8-8.0 | -1.500" | 28.0 | 6.02 | 0.240" | 0.138" |
| 1526859038 | 15x8 LB | 8-8.0 | -1.500" | 35.0 | 6.02 | 0.240" | 0.188" |
| 1519300038 | 15x10 JJ | 8-8.0 | -1.500" | 32.0 | 6.02 | 0.240" | 0.138" |
| 1526074038 | 15x10 LB | 8-8.0 | -1.500" | 38.5 | 6.02 | 0.240" | 0.188" |
| 1619296038 | 16x6 JJ | 6-6.0 | 1.000" | 32.0 | 4.64 | 0.240" | 0.158" |
| 1619301038 | 16x8 JJ | 8-8.0 | -1.500" | 33.0 | 6.02 | 0.240" | 0.158" |
| 1619302038 | 16x10 JJ | 8-8.0 | -1.375" | 36.5 | 6.02 | 0.240" | 0.158" |

REVERSIBLE, COINED OFF WHITE AG WHEEL WITHOUT VALVE GUARD (BOXED)

| PART NUMBER | RIM SIZE | BOLT PATTERN | OFFSET | WEIGHT | CENTER BORE (IN.) | DISC THICKNESS | RIM THICKNESS |
|-------------|----------|--------------|--------|--------|-------------------|----------------|---------------|
| 1529713038 | 15x5 JJ | 6-6.0 | 1.125" | 22.0 | 4.64 | 0.223" | 0.123" |
| 1529771038 | 15x6 JJ | 6-6.0 | 1.125" | 24.0 | 4.64 | 0.223" | 0.134" |
| 1521799038 | 15x6 K | 6-6.0 | 1.125" | 24.0 | 4.64 | 0.223" | 0.134" |
| 1529885038 | 15x8 JJ | 6-6.0 | 1.125" | 27.5 | 4.64 | 0.223" | 0.138" |
| 1529714038 | 15x8 LB | 6-6.0 | 1.125" | 35.0 | 4.64 | 0.223" | 0.188" |
| 1529843038 | 15x10 JJ | 6-6.0 | 1.125" | 33.0 | 4.64 | 0.223" | 0.155" |
| 1529720038 | 15x10 LB | 6-6.0 | 1.125" | 39.0 | 4.64 | 0.223" | 0.188" |

BOAT TRAILERS, CARGO TRAILERS, HORSE AND STOCK TRAILERS, RV-TOWABLE UTILITY AND SPECIALTY TRAILERS

HIGHWAY SUPREME TRAILER WHEELS - WHITE WITH RED AND BLUE STRIPES (BOXED)

| PART NUMBER | RIM SIZE | BOLT PATTERN | OFFSET (+/-) | REAR SPACING | SHIPPING WEIGHT | CENTER BORE (IN.) | LOAD RATING |
|-------------|----------|--------------|--------------|--------------|-----------------|-------------------|-------------|
| 1221483564B | 12x4 | 4-4.0 | 0 | 2 3/8" | 10 | 2.80 | 1520 |
| 1221442564B | 12x4 | 5-4.5 | 0 | 2 3/8" | 10 | 2.80 | 1520 |
| 1321132564B | 13x4.5 | 5-4.5 | 0 | 2 3/4" | 13 | 3.30 | 1730 |
| 1421156564B | 14x6 | 5-4.5 | 0 | 3 1/2" | 20 | 3.30 | 1870 |
| 1519898564B | 15x5 | 5-4.5 | -3mm | 2 7/8" | 20 | 3.30 | 2150 |
| 1521133564B | 15x6 | 5-4.5 | 0 | 3 1/2" | 22 | 3.30 | 2150 |
| 1521124564B | 15x6 | 6-5.5 | 0 | 3 1/2" | 22 | 4.28 | 2850 |
| 1621157564B | 16x6 | 6-5.5 | 0 | 3 1/2" | 27 | 4.28 | 3300 |
| 1621149564B | 16x6 | 8-6.5 | 0 | 3 1/2" | 27 | 5.15 | 4080 |



HIGHWAY SUPREME SILVER



HIGHWAY EIGHT SPOKE, WHITE WITH STRIPES



HIGHWAY EIGHT SPOKE, GALVANIZED

BOAT TRAILERS, CARGO TRAILERS, HORSE AND STOCK TRAILERS, RV-TOWABLE UTILITY AND SPECIALTY TRAILERS

HIGHWAY SUPREME TRAILER WHEELS - SILVER (BOXED)

| PART NUMBER | RIM SIZE | BOLT PATTERN | OFFSET (+/-) | REAR SPACING | SHIPPING WEIGHT | CENTER BORE (IN.) | LOAD RATING |
|--------------------|----------|--------------|--------------|--------------|-----------------|-------------------|-------------|
| 1221131532B | 12x4 | 5-4.5 | 0 | 2 3/8" | 10 | 2.80 | 1520 |
| 1321132532B | 13x4.5 | 5-4.5 | 0 | 2 3/4" | 13 | 3.30 | 1730 |
| 1421156532B | 14x6 | 5-4.5 | 0 | 3 1/2" | 20 | 3.30 | 1870 |
| 1519898532B | 15x5 | 5-4.5 | -3mm | 2 7/8" | 20 | 3.30 | 2150 |
| 1521133532B | 15x6 | 5-4.5 | 0 | 3 1/2" | 22 | 3.30 | 2150 |
| 1521124532B | 15x6 | 6-5.5 | 0 | 3 1/2" | 22 | 4.28 | 2850 |
| 1621157532B | 16x6 | 6-5.5 | 0 | 3 1/2" | 27 | 4.28 | 3300 |
| 1621140532B | 16x6 | 8-6.5 | 0 | 3 1/2" | 27 | 5.15 | 4080 |

HIGHWAY EIGHT SPOKE TRAILER WHEELS - WHITE WITH RED AND BLUE STRIPES (BOXED)

| PART NUMBER | RIM SIZE | BOLT PATTERN | OFFSET (+/-) | REAR SPACING | SHIPPING WEIGHT | CENTER BORE (IN.) | LOAD RATING |
|--------------------|----------|--------------|--------------|--------------|-----------------|-------------------|-------------|
| 1221135564B | 12x4 | 4-4.0 | 0 | 2 3/8" | 10 | 2.80 | 1520 |
| 1221131564B | 12x4 | 5-4.5 | 0 | 2 3/8" | 10 | 2.80 | 1520 |
| 1321136564B | 13x4.5 | 5-4.5 | 0 | 2 3/4" | 14.5 | 3.30 | 1660 |
| 1421137564B | 14x6 | 5-4.5 | 0 | 3 1/2" | 20 | 3.30 | 1870 |
| 1521158564B | 15x5 | 5-4.5 | -3mm | 2 7/8" | 20 | 3.30 | 2150 |
| 1521138564B | 15x6 | 5-4.5 | 0 | 3 1/2" | 21 | 3.30 | 2150 |
| 1521139564B | 15x6 | 6-5.5 | 0 | 3 1/2" | 21 | 4.28 | 2850 |
| 1621113564B | 16x6 | 6-5.5 | 0 | 3 1/2" | 30 | 4.28 | 3750 |
| 1621112564B | 16x6 | 8-6.5 | 0 | 3 1/2" | 30 | 5.15 | 4080 |

HIGHWAY EIGHT SPOKE TRAILER WHEELS - GALVANIZED (BOXED)

| PART NUMBER | RIM SIZE | BOLT PATTERN | OFFSET (+/-) | REAR SPACING | SHIPPING WEIGHT | CENTER BORE (IN.) | LOAD RATING |
|--------------------|----------|--------------|--------------|--------------|-----------------|-------------------|-------------|
| 1221135400B | 12x4 | 4-4.0 | 0 | 2 3/8" | 10 | 2.80 | 1520 |
| 1221442400B | 12x4 | 5-4.5 | 0 | 2 3/8" | 10 | 2.80 | 1520 |
| 1321136400B | 13x4.5 | 5-4.5 | 0 | 2 3/4" | 14.5 | 3.30 | 1660 |
| 1421137400B | 14x6 | 5-4.5 | 0 | 3 1/2" | 20 | 3.30 | 1870 |
| 1521138400B | 15x6 | 5-4.5 | 0 | 3 1/2" | 21 | 3.30 | 2150 |
| 1521139400B | 15x6 | 6-5.5 | 0 | 3 1/2" | 21 | 4.28 | 2850 |
| 1621113400B | 16x6 | 6-6.5 | 0 | 3 1/2" | 30 | 4.28 | 3750 |
| 1621112400B | 16x6 | 8-6.5 | 0 | 3 1/2" | 30 | 5.15 | 4080 |



HIGHWAY STANDARD, WHITE



HIGHWAY STANDARD, GALVANIZED



4 WINDOW DUAL TRAILER

BOAT TRAILERS, CARGO TRAILERS, HORSE AND STOCK TRAILERS, RV-TOWABLE UTILITY AND SPECIALTY TRAILERS

HIGHWAY STANDARD TRAILER WHEELS - WHITE (BOXED)

| PART NUMBER | RIM SIZE | BOLT PATTERN | OFFSET (+/-) | REAR SPACING | SHIPPING WEIGHT | CENTER BORE (IN.) | LOAD RATING |
|--------------------|----------|--------------|--------------|--------------|-----------------|-------------------|-------------|
| 0821466266B | 8x3.75 | 4-4.0 | 0 | 2 3/8" | 4.5 | 2.81 | 910 |
| 0821467266B | 8x3.75 | 5-4.5 | 0 | 2 3/8" | 4.5 | 2.81 | 910 |
| 0815293266B | 8x5.375 | 4-4.0 | -0.75 | 2 7/16" | 5.0 | 2.81 | 900 |
| 0815295266B | 8x5.375 | 5-4.5 | -0.75 | 2 7/16" | 5.0 | 2.81 | 900 |
| 0821654266B | 8x7 | 4-4.0 | 0 | 4" | 6.5 | 2.50 | 915 |
| 0821637266B | 8x7 | 5-4.5 | 0 | 4" | 6.5 | 2.81 | 935 |
| 1021632266B | 10x6 | 4-4.0 | 0 | 3 1/2" | 10.5 | 2.50 | 1320 |
| 1021583266B | 10x6 | 5-4.5 | 0 | 3 1/2" | 10.5 | 2.81 | 1535 |

HIGHWAY STANDARD TRAILER WHEELS - GALVANIZED (BOXED)

| PART NUMBER | RIM SIZE | BOLT PATTERN | OFFSET (+/-) | REAR SPACING | SHIPPING WEIGHT | CENTER BORE (IN.) | LOAD RATING |
|--------------------|----------|--------------|--------------|--------------|-----------------|-------------------|-------------|
| 0821466400B | 8x3.75 | 4-4.0 | 0 | 2 3/8" | 4.5 | 2.81 | 910 |
| 0821467400B | 8x3.75 | 5-4.5 | 0 | 2 3/8" | 4.5 | 2.81 | 910 |
| 0815293400B | 8x5.375 | 4-4.0 | -0.75 | 2 7/16" | 5.0 | 2.81 | 900 |
| 0815295400B | 8x5.375 | 5-4.5 | -0.75 | 2 7/16" | 5.0 | 2.81 | 900 |
| 0821654400B | 8x7 | 4-4.0 | 0 | 4" | 6.5 | 2.50 | 915 |
| 0821637400B | 8x7 | 5-4.5 | 0 | 4" | 6.5 | 2.81 | 935 |
| 1021632400B | 10x6 | 4-4.0 | 0 | 3 1/2" | 10.5 | 2.50 | 1320 |
| 1021583400B | 10x6 | 5-4.5 | 0 | 3 1/2" | 10.5 | 2.81 | 1535 |
| 1021583400B | 10x6 | 5-4.5 | 0 | 3 1/2" | 10.5 | 2.81 | 1535 |

4 WINDOW DUAL TRAILER WHEEL (BOXED)

| PART NUMBER | RIM SIZE | BOLT PATTERN | OFFSET (+/-) | REAR SPACING | SHIPPING WEIGHT | CENTER BORE (IN.) | LOAD RATING |
|--------------------|----------|--------------|--------------|--------------|-----------------|-------------------|-------------|
| 1621472284B | 16x6 | 8-6.5 | N/A | 8 5/8" | 43 | 4.88 | 3640 |
| 1619880284B | 16x6 | 8-6.5 | N/A | 8 5/8" | 43 | 4.77 | 3640 |



INTRUDER ALUMINUM, MATTE BLACK



INTRUDER ALUMINUM, SILVER



CROSSTRAX TRAILER WHEEL

BOAT TRAILERS, CARGO TRAILERS, HORSE AND STOCK TRAILERS, RV-TOWABLE UTILITY AND SPECIALTY TRAILERS

INTRUDER ALUMINUM TRAILER WHEELS - MATTE BLACK WITH MACHINED ACCENTS (BOXED)

- STEEL LUG INSERTS
- CONICAL SEAT LUG NUTS AND CAPS SOLD SEPARATELY

| PART NUMBER | RIM SIZE | BOLT PATTERN | OFFSET (+/-) | REAR SPACING | SHIPPING WEIGHT | CENTER BORE (IN) | CAPACITY |
|-------------|----------|--------------|--------------|--------------|-----------------|------------------|----------|
| 910B4551232 | 14x5.5 | 5-4.5 | 0 | 3 1/4" | 18 | 3.20 | 1900 |
| 910B561235 | 15x6 | 5-4.5 | 0 | 3 1/2" | 20 | 3.20 | 2150 |
| 910B566035 | 15x6 | 6-5.5 | 0 | 3 1/2" | 20 | 4.28 | 2830 |
| 910B668035 | 16x6 | 8-6.5 | 0 | 3 1/2" | 24 | 4.90 | 3960 |

INTRUDER ALUMINUM TRAILER WHEELS - SILVER PAINTED (BOXED)

- STEEL LUG INSERTS
- CONICAL SEAT LUG NUTS AND CAPS SOLD SEPARATELY

| PART NUMBER | RIM SIZE | BOLT PATTERN | OFFSET (+/-) | REAR SPACING | SHIPPING WEIGHT | CENTER BORE (IN) | CAPACITY |
|-------------|----------|--------------|--------------|--------------|-----------------|------------------|----------|
| 910S4551232 | 14x5.5 | 5-4.5 | 0 | 3 1/4" | 18 | 3.20 | 1900 |
| 910S561235 | 15x6 | 5-4.5 | 0 | 3 1/2" | 20 | 3.20 | 2150 |
| 910S566035 | 15x6 | 6-5.5 | 0 | 3 1/2" | 20 | 4.28 | 2830 |
| 910S668035 | 16x6 | 8-6.5 | 0 | 3 1/2" | 24 | 4.90 | 3960 |

CROSSTRAX TRAILER WHEELS-MACHINED WITH BLACK ACCENTS WITH CLEAR COAT (BOXED)

- STEEL LUG INSERTS
- CONICAL SEAT LUG NUTS AND CAPS SOLD SEPARATELY

| PART NUMBER | RIM SIZE | BOLT PATTERN | OFFSET (+/-) | REAR SPACING | SHIPPING WEIGHT | CENTER BORE (IN) | LOAD RATING | CAP PART NUMBER |
|--------------|----------|--------------|--------------|--------------|-----------------|------------------|-------------|-----------------|
| 922MB241225 | 12x4 | 5-4.5 | 0 | 2 1/2" | 9 | 3.20 | 1520 | 231922BR |
| 922MB351230 | 13x5 | 5-4.5 | 0 | 2 3/4" | 13 | 3.20 | 1710 | 231922BR |
| 922MB4551232 | 14x5.5 | 5-4.5 | 0 | 3 1/4" | 15 | 3.20 | 1900 | 231922BR |
| 922MB561235 | 15x6 | 5-4.5 | 0 | 3 1/2" | 15 | 3.20 | 2150 | 231922BR |
| 922MB566035 | 15x6 | 6-5.5 | 0 | 3 1/2" | 18 | 4.28 | 2830 | 242522BR |
| 922MB666035 | 16x6 | 6-5.5 | 0 | 3 1/2" | 20 | 4.28 | 3200 | 242522BR |
| 922MB668035 | 16x6 | 8-6.5 | 0 | 3 1/2" | 20 | 4.90 | 3960 | 249022BR |





TUBES / FLAPS



LAWN AND GARDEN, INDUSTRIAL, TRAILER

| SIZE | PRODUCT CODE | VALVE | VALVE ON/OFF-CENTER | UNIT WEIGHT | UNITS / CASE |
|---|---------------|-------|---------------------|-------------|--------------|
| 2.80/2.50 - 4 | 320050 | TR87 | ON | 0.3 | 10 |
| 2.80/2.50 - 4 | 320010 | JS87P | ON | 0.3 | 10 |
| 9 x 3.50 - 4 | 320030 | TR87 | ON | 0.4 | 10 |
| 9 x 3.50 - 4 | 320031 | JS87P | ON | 0.4 | 10 |
| 4.10/3.50 - 4 | 320100 | TR87 | 5 mm | 0.4 | 10 |
| 4.10/3.50 - 4 | 320040 | TR13 | 5 mm | 0.4 | 10 |
| 4.10/3.50 - 4 | 320020 | JS87P | 5 mm | 0.4 | 10 |
| 3.40/3.00 - 5 | 320150 | TR87 | 10 mm | 0.4 | 10 |
| 4.10/3.50 - 5 | 320200 | TR87 | 10 mm | 0.6 | 10 |
| 4.10/3.50 - 5 | 320070 | TR13 | 10 mm | 0.5 | 10 |
| 4.10/3.50 - 5 | 320060 | JS87P | 10 mm | 0.5 | 10 |
| 11x4.00 - 5 | 320080 | TR87 | 20 mm | 0.5 | 10 |
| 11 x 6.00 - 5 | 323520 | TR87 | 10 mm | 0.6 | 10 |
| 4.10/3.50 - 6 | 320250 | TR87 | ON | 0.5 | 10 |
| 4.10/3.50 - 6 | 320160 | TR13 | 10 mm | 0.6 | 10 |
| 13 x 5.00 - 6 | 320260 | TR87 | 10 mm | 0.6 | 10 |
| 13 x 5.00 - 6 | 323790 | TR13 | 10 mm | 0.6 | 10 |
| 13x6.50 - 6 | 320170 | TR13 | 10 mm | 0.6 | 10 |
| 5.30/4.50 - 6 | 320270 | TR87 | 10 mm | 0.6 | 10 |
| 15 x 6.00 - 6 | 320290 | TR87 | 20 mm | 0.8 | 10 |
| 15 x 6.00 - 6 | 323800 | TR13 | 20 mm | 0.8 | 10 |
| 3.50/4.00 - 8 | 320120 | TR13 | ON | 0.5 | 10 |
| 3.50/4.00 - 8 | 320360 | TR87 | ON | 0.5 | 10 |
| 4.80/4.00 - 8 | 320400 | TR13 | 10 mm | 0.5 | 10 |
| 4.80/4.00 - 8 | 320130 | TR87 | 10 mm | 0.6 | 10 |
| 5.70/5.00 - 8 | 320450 | TR13 | 25 mm | 1.0 | 10 |
| 16 x 6.50/7.50 - 8 | 320420 | TR13 | 25 mm | 1.0 | 10 |
| 20x7 - 8 | 320140 | TR6 | 25 mm | 1.6 | 10 |
| 18.00x6.50/8.50/9.50-8 20X8.00/10.00-8 | 320410 | TR13 | 25 mm | 1.6 | 10 |
| 6.90/6.00 - 9 | 321500 | TR13 | 25 mm | 1.5 | 10 |
| 20 x 8.00/10.00 - 10 | 320770 | TR13 | 20 mm | 1.8 | 10 |
| 6.00-12 | 323843 | TR13 | 20 mm | 1.8 | 10 |
| 4.80/5.30-12 COMBO | 320901 | TR13 | 20 mm | 1.3 | 10 |
| 23x8.50/9.50/10.50-12 | 321370 | TR13 | 25 mm | 3.3 | 10 |
| 26 x 12 - 12 | 321050 | TR13 | 40 mm | 3.4 | 10 |
| 23x8.50/9.50/10.50-12 | 321370 | TR13 | 25 mm | 3.3 | 10 |
| 26 x 12 - 12 | 321050 | TR13 | 40 mm | 3.4 | 10 |

RADIAL ATV

| SIZE | PRODUCT CODE | VALVE | VALVE ON/OFF-CENTER | UNIT WEIGHT | UNITS / CASE |
|-----------------|---------------|-------|---------------------|-------------|--------------|
| AT16x8.00R7 | 320035 | TR6 | 20 mm | 1.4 | 10 |
| AT21/22x11/12R8 | 320440 | TR6 | 25 mm | 1.6 | 10 |
| 20x7.00R8 | 320141 | TR6 | 25 mm | 1.6 | 10 |
| AT25x12/13R9 | 321520 | TR6 | 35 mm | 2.2 | 10 |
| AT22/23x8R11/12 | 321371 | TR6 | 25 mm | 3.3 | 10 |

RADIAL ATV (continued)

| SIZE | PRODUCT CODE | VALVE | VALVE ON/OFF-CENTER | UNIT WEIGHT | UNITS / CASE |
|---------------|---------------|-------|---------------------|-------------|--------------|
| AT24/26x12R12 | 321051 | TR6 | 40 mm | 3.4 | 10 |
| AT26x8/9R14 | 324500 | TR6 | 30 mm | 2.0 | 10 |

RADIAL PASSENGER

| SIZE | PRODUCT CODE | VALVE | VALVE ON/OFF-CENTER | UNIT WEIGHT | UNITS / CASE |
|---------|---------------|--------|---------------------|-------------|--------------|
| ER12/13 | 322160 | TR13 | 20 mm | 0.9 | 10 |
| FR13/14 | 322010 | TR13 | 20 mm | 1.6 | 10 |
| FR15 | 322170 | TR13 | 20 mm | 1.4 | 10 |
| GR/KR16 | 322050 | TR13 | 25 mm | 2.0 | 10 |
| KR14/15 | 322030 | TR13 | 30 mm | 2.4 | 10 |
| MR14/15 | 322040 | TR13 | 25 mm | 2.8 | 10 |
| GR/KR16 | 322190 | TR15CW | 25 mm | 1.8 | 10 |
| MR14/15 | 322040 | TR13 | 25 mm | 2.8 | 10 |
| GR/KR16 | 322190 | TR15CW | 25 mm | 1.8 | 10 |

RADIAL LIGHT TRUCK

| SIZE | PRODUCT CODE | VALVE | VALVE ON/OFF-CENTER | UNIT WEIGHT | UNITS / CASE |
|-----------------|---------------|--------|---------------------|-------------|--------------|
| 7.00/7.50R15LT | 322070 | TR150 | 25 mm | 2.4 | 10 |
| 7.00/7.50R15LT | 322230 | TR13CW | 25 mm | 2.3 | 10 |
| 7.00/7.50R16LT | 322060 | TR150 | 25 mm | 2.5 | 10 |
| 7.00/7.50R16LT | 322200 | TR13 | 25 mm | 2.5 | 10 |
| 7.00/7.50R16LT | 322210 | TR440 | ON | 2.6 | 10 |
| 7.00/7.50R16LT | 322220 | TR15CW | 25 mm | 2.5 | 10 |
| 7.00/7.50R16LT | 322430 | TR13CW | 25 mm | 2.4 | 10 |
| 7.00/7.50R17/18 | 322440 | TR440 | ON | 3.5 | 10 |

RADIAL HEAVY TRUCK

| SIZE | PRODUCT CODE | VALVE | VALVE ON/OFF-CENTER | UNIT WEIGHT | UNITS / CASE |
|--------------------|---------------|-------|---------------------|-------------|--------------|
| 8.25R20 | 322080 | TR442 | ON | 4.9 | 4 |
| 9.00R20 | 322090 | TR443 | ON | 6.5 | 4 |
| 10.00R20 12/80R20 | 322100 | TR444 | ON | 7.3 | 4 |
| 11.00R20 13/80R20 | 322110 | TR444 | ON | 8.4 | 4 |
| 12.00R 20 14/80R20 | 322460 | TR444 | ON | 8.6 | 4 |
| 10.00R22 | 322270 | TR444 | ON | 8.1 | 4 |
| 11.00R22 | 322280 | TR444 | ON | 8.1 | 4 |

HEAVY DUTY BIAS

| SIZE | PRODUCT CODE | VALVE | VALVE ON/OFF-CENTER | UNIT WEIGHT | UNITS / CASE |
|------------|---------------|-------|---------------------|-------------|--------------|
| 10.00 - 20 | 322330 | TR444 | ON | 6.8 | 6 |

RV AND WIDE BASE TRUCK BIAS AND SKID STEER

| SIZE | PRODUCT CODE | VALVE | VALVE ON/OFF-CENTER | UNIT WEIGHT | UNITS / CASE |
|------------|---------------|-------|---------------------|-------------|--------------|
| 10/11R15LT | 322310 | TR13 | 45 mm | 4.4 | 6 |

For tube stem and valve stem information and specifications, refer to most recent Tire and Rim Association publications.



LOW PLATFORM RADIAL

| SIZE | PRODUCT CODE | VALVE | VALVE ON/OFF-CENTER | UNIT WEIGHT | UNITS / CASE |
|-----------------------|--------------|-------|---------------------|-------------|--------------|
| 7.00/7.50R15TR | 322450 | TR440 | ON | 2.4 | 6 |
| 8.25R15TR | 322240 | TR444 | ON | 3.1 | 6 |
| 9.00/10.00/11.00R15TR | 322250 | TR444 | ON | 3.9 | 6 |

MOBILE HOME BIAS

| SIZE | PRODUCT CODE | VALVE | VALVE ON/OFF-CENTER | UNIT WEIGHT | UNITS / CASE |
|----------------|--------------|-------|---------------------|-------------|--------------|
| 7/8/9 - 14.5MH | 322290 | TR300 | 25 mm | 2.9 | 6 |

OTR/CONSTRUCTION/SKID STEER

| SIZE | PRODUCT CODE | VALVE | VALVE ON/OFF-CENTER | UNIT WEIGHT | UNITS / CASE |
|----------------------|--------------|--------|---------------------|-------------|--------------|
| 8.3/9.5/12.5 - 18/20 | 322000 | TR15CW | 33 mm | 3.8 | 6 |
| 13.00/14.00 - 24 TG | 322340 | TR220A | 55 mm | 16.9 | 1 |

RADIAL OTR/CONSTRUCTION/SKID STEER

| SIZE | PRODUCT CODE | VALVE | VALVE ON/OFF-CENTER | UNIT WEIGHT | UNITS / CASE |
|------------------|--------------|----------|---------------------|-------------|--------------|
| 14R17.5 | 323111 | TR300 | | 5.5 | 3 |
| 15R19.5 | 323131 | TR15CW | 60 mm | 7.1 | 3 |
| 13.00/14.00R24TG | 322341 | TR220A | 55 mm | 16.9 | 1 |
| 20.5R25 | 323671 | TRJ1175C | ON | 18.7 | 1 |
| 23.5R25 | 323681 | TRJ1175C | ON | 25.5 | 1 |

HEAVY DUTY INDUSTRIAL LIFT/FORK TRUCK MINING

| SIZE | PRODUCT CODE | VALVE | VALVE ON/OFF-CENTER | UNIT WEIGHT | UNITS / CASE |
|------------------|--------------|-------|---------------------|-------------|--------------|
| 5.70/5.00-8NHS | 323820 | JS2 | 10 mm | 1.0 | 36 |
| 4.80/4.00-8/9NHS | 322410 | JS2 | 10 mm | 0.8 | 12 |
| 6.50-10 | 323840 | JS2 | 12 mm | 1.5 | 22 |
| 7.00-12NHS | 322420 | TR440 | ON | 2.1 | 6 |
| 7.50/8.25-15 | 323850 | TR440 | ON | 2.5 | 14 |
| 28/29 x 8/9 - 15 | 323860 | TR440 | ON | 2.5 | 14 |
| 28x12-15 | 323900 | TR440 | ON | 3.7 | 10 |
| 29x8-15 | 323920 | TR440 | ON | 2.5 | 14 |
| 2.50-15 | 323880 | TR440 | ON | 2.5 | 11 |
| 3.00-15 | 323890 | TR440 | ON | 3.8 | 10 |
| 32x12-15 | 323910 | TR440 | ON | 3.7 | 10 |
| 8.25-15 | 323870 | TR442 | ON | 3.5 | 12 |

FARM FRONT BIAS

| SIZE | PRODUCT CODE | VALVE | VALVE ON/OFF-CENTER | UNIT WEIGHT | UNITS / CASE |
|--------------------------------|--------------|--------|---------------------|-------------|--------------|
| 4.00/5.50/5.90/6.00-15SL | 322350 | TR15 | 20 mm | 1.4 | 6 |
| 5.50/5.90/6.00/6.40-15/16SL | 322120 | TR15 | 20 mm | 1.8 | 6 |
| 6.50/7.00/7.50/7.60/8.00-15/16 | 322360 | TR15 | 25 mm | 2.5 | 6 |
| 10.00-15/16SL | 322130 | TR15CW | 25 mm | 4.1 | 6 |
| 11.00-16SL | 322370 | TR15CW | 50 mm | 3.9 | 6 |
| 6.50/7.00/7.50-18SL | 322140 | TR15 | 25 mm | 2.9 | 6 |
| 4.00-18/19SL | 322380 | TR15 | 15 mm | 1.3 | 6 |
| 8.3/9.5/12.5-18/20 | 322000 | TR15CW | 33 mm | 3.8 | 6 |

REAR FARM RADIAL

| SIZE | PRODUCT CODE | VALVE | VALVE ON/OFF-CENTER | UNIT WEIGHT | UNITS / CASE |
|----------------------------|--------------|--------|---------------------|-------------|--------------|
| 9/9.5/10/11.2/12.40R24 | 323960 | TR218A | 50 mm | 6.7 | 4 |
| 7.50R24SL, 7.5/8.3/9.5R24 | 323601 | TR218A | 40 mm | 6.6 | 8 |
| 13.6/14.9R24 | 323950 | TR218A | 55 mm | 10.0 | 3 |
| 14.9R/16.9R/17.5LR24 | 323760 | TR218A | 70 mm | 12.8 | 3 |
| 18.4R/19.5LR/21LR24 | 323770 | TR218A | 70 mm | 16.3 | 2 |
| 11.2/12.4R28 11.25R28SL | 323591 | TR218A | 66 mm | 8.5 | 3 |
| 13.6/14.9R28/30 | 323750 | TR218A | 83 mm | 12.1 | 3 |
| 13.6/14.9R26/28 | 324110 | TR218A | 58 mm | 10.6 | 3 |
| 16.9/18.4R26/28 | 323730 | TR218A | 89 mm | 14.9 | 2 |
| 14.9R30 | 323741 | TR218A | 84 mm | 13.2 | 3 |
| 16.9/18.4R30 | 323780 | TR218A | 89 mm | 16.7 | 2 |
| 11.2R34 11.2/12.4R36 | 323651 | TR218A | 70 mm | 9.1 | 3 |
| 24.5R32 | 323742 | TR218A | 125 mm | 24.8 | 2 |
| 13.6/14.9R34 | 324120 | TR218A | 58 mm | 12.1 | 3 |
| 16.9/18.4R34 | 323700 | TR218A | 89 mm | 18.2 | 2 |
| 13.6/14.9R36 | 323621 | TR218A | 83 mm | 15.4 | 3 |
| 11.2/12.4R38 | 323631 | TR218A | 70 mm | 9.1 | 3 |
| 14.9R36 13.6/14.9/15.5R-38 | 323720 | TR218A | 83 mm | 15.4 | 3 |
| 16.9/18.4R38 | 323690 | TR218A | 89 mm | 19.4 | 2 |
| 20.8R38 | 323710 | TR218A | 90 mm | 25.3 | 2 |
| 18.4R20.8R42 | 323740 | TR218A | 90 mm | 20.5 | 2 |
| 16.9/18.4R46 | 323693 | TR218A | 50 mm | 22.6 | 2 |

HD SEVERE SERVICE-REAR FARM RADIAL

| SIZE | PRODUCT CODE | VALVE | VALVE ON/OFF-CENTER | UNIT WEIGHT | UNITS / CASE |
|--------------|--------------|--------|---------------------|-------------|--------------|
| 16.9/18.4R38 | 323691 | TR218A | 89 mm | 21.4 | 1 |
| 18.4/20.8R42 | 323692 | TR218A | 90 mm | 26.0 | 1 |
| 16.9/18.4R46 | 323694 | TR218A | 50 mm | 25.8 | 1 |

For tube stem and valve stem information and specifications, refer to most recent Tire and Rim Association publications.

FARM IMPLEMENT BIAS

| SIZE | PRODUCT CODE | VALVE | VALVE ON /OFF -CENTER | UNIT WEIGHT | UNITS / CASE |
|--------------------------------|---------------|--------|-----------------------|-------------|--------------|
| 8.5/9.5/11L-14; 8.5/9.5L-15 | 322390 | TR13 | 25 mm | 2.9 | 6 |
| 11L-15/16SL | 322150 | TR218A | 25 mm | 4.2 | 6 |
| 11L-15/16SL | 322400 | TR15CW | 25 mm | 3.8 | 6 |
| 12.5L-15/16SL | 322470 | TR218A | 45 mm | 3.8 | 6 |
| 12.5L-15/16SL | 323810 | TR15CW | 45 mm | 3.8 | 6 |
| 13.6/14L-16.1 | 320032 | TR218A | 45 mm | 7.2 | 7 |
| 16.5/18.4L-16.1 | 320033 | TR218A | 65 mm | 10.1 | 4 |
| 21.5L-16.1 | 320034 | TR218A | 90 mm | 12.1 | 2 |

TUBELESS VALVE STEMS

| SIZE | PRODUCT CODE | VALVE | VALVE ON /OFF -CENTER | UNIT WEIGHT | UNITS / CASE |
|----------|---------------------|-------|-----------------------|-------------|--------------|
| TR412 | 010200000007 | 0.453 | 0.88 | 4.4 | 6 |
| TR413 | 010200000005 | 0.453 | 1.25 | 4.4 | 6 |
| TR600HP* | 010200000008 | 0.453 | 1.27 | 4.4 | 6 |

* High Pressure

RADIAL INDUSTRIAL FLAPS

| SIZE | PRODUCT CODE | VALVE ON /OFF -CENTER | UNIT WEIGHT | UNITS / CASE |
|---------------------------|--------------|-----------------------|-------------|--------------|
| 8R3.0 | 5508 | 13 mm | 0.4 | 20 |
| 8R7.0 | 12311 | ON | 1.7 | 15 |
| 9R6.7 | 11009 | 10 mm | 0.8 | 20 |
| 10R6.7 | 12310 | 10 mm | 1.1 | 15 |
| 12R6.0 | 12812 | ON | 1.4 | 15 |
| 15R10.00 | 19015 | ON | 3.9 | 10 |
| 16R6.50/7.00/7.50/8.25 | 17016 | 25 mm | 2.6 | 14 |
| 15R6.50/7.00/7.50/8.25 | 17015 | ON | 2.4 | 14 |
| 20R7.50/8.25 | 17020 | ON | 3.2 | 12 |
| 20R8.25 | 18020 | ON | 3.8 | 8 |
| 20R9.00/10.00 | 20520 | ON | 4.6 | 7 |
| 22R10.00/11.00 | 20522 | ON | 5.3 | 6 |
| 20R11.00/12.00 | 21020 | ON | 5.5 | 6 |
| 20R13.00/14.00 | 23020 | ON | 6.5 | 4 |
| 24R11.1 - Valve Hole 1.2" | 19016 | 32 mm | 6.9 | 4 |
| 24R11.1 Center Valve Hole | 21024 | ON | 6.9 | 5 |

For tube stem and valve stem information and specifications, refer to most recent Tire and Rim Association publications.



INNER TUBE FITMENT CHART

| SIZE | PRODUCT CODE | VALVE | VALVE ON/OFF - CENTER | ALSO FITS |
|---------------------|--------------|-------|-----------------------|--|
| 4.10/3.50-4 | 320100 | TR-87 | 5 mm | 11 x 4.00 - 4 |
| 4.10/3.50 - 5 | 320200 | TR-87 | 10 mm | 11 x 4.00 - 5 |
| 13 x 5.00 - 6 | 320260 | TR-87 | 10 mm | 12 x 5.00 - 6, 14 x 4.50 - 6 |
| 5.30/4.50 - 6 | 320270 | TR-87 | 25 mm | 13 x 6.50 - 6, 14.5/7.00 - 6 |
| 18 x 6.50/7.50 - 8 | 320410 | TR-13 | 25 mm | 18 x 8.50/9.50 - 8, 20 x 8.00/9.00/10.00 - 8 |
| 23 x 8.50/9.50 - 12 | 321370 | TR-13 | 25 mm | 22 x 7.50/9.00 - 12, 23/24 x 10.50 - 12 |
| 26 x 12.00 - 12 | 321050 | TR-13 | 40 mm | 24 x 12.00 - 12, 26 x 10.50 - 12 |

RADIAL ATV TUBE FITMENT CHART

| SIZE | PRODUCT CODE | VALVE | VALVE ON/OFF - CENTER | ALSO FITS |
|-------------------|--------------|-------|-----------------------|---|
| AT21/22 x 11/12R8 | 320440 | TR6 | 25 mm | 18 x 8-8, AT20 x 7-8, AT22 x 9R8, AT21 x 8R9 18 x 8.5/9.5-8, AT20 x 10/11-8, AT22 x 10R8, AT20 x 7R9 18 x 10/11-8, AT21 x 10/11R8, AT22 x 11R8, AT22 x 7R9 19 x 8.5/9.5-8, AT21 x 12R8, AT22 x 12R8, AT23 x 8R9 19 x 10/11-8, AT22 x 11R9 |
| AT25 x 12/13R9 | 321520 | TR6 | 35 mm | AT24 x 11R9, AT25 x 11R9, AT24 x 11R10, AT26 x 12R10 AT24 x 12/13R9 AT25 x 12R9 AT25 x 11R10 24 x 13.5-9 AT25 x 12R10 25 x 13.5-9 |
| AT20 x 8/10R10 | 320771 | TR6 | 20 mm | AT18 x 10R10, AT21 x 7R10, AT22 x 8R10, AT23 x 9R10 AT18 x 11R10, AT22 x 7R10, AT22 x 10R10, AT23 x 10R10 20 x 7.5-10, AT23 x 7R10, AT22 x 11R10 AT20 x 8R10, 22 x 12.5-10 AT20 x 10R10 AT20 x 11R10 |
| AT22/23 x 8R11/12 | 321371 | TR6 | 25 mm | AT23 x 8-11, AT23 x 8R12, AT23 x 10R12 AT24 x 8-11, AT24 x 8R12, AT24 x 10R12 AT24 x 9-11, AT25 x 8R12, AT25 x 10R12 23.5 x 8-11, AT23 x 9R12 |
| AT24/26 x 12R12 | 321051 | TR6 | 40 mm | AT24 x 12R12, AT25 x 8R11/12, AT26 x 10R12, AT25 x 11R12 AT25 x 12/13R12, AT26 x 8R11/12, AT26 x 12R12, AT26 x 11R11/12 AT27 x 8R11/12, AT27 x 11/12R12 |
| AT26X8/9R14 | 324500 | TR6 | 30 mm | AT26X8R14 AT26X9R14 |

RADIAL LT TUBE FITMENT CHART

| SIZE | PRODUCT CODE | VALVE | VALVE ON/OFF - CENTER | ALSO FITS |
|--------------|--------------|--------|-----------------------|--|
| 700/750R15LT | 322230 | TR13CW | 25 mm | 670R/710R/750R15LT, P215/75R15 LT215/225/235R15LT, P235/75R15 LT245/70R15LT, P245/70R15 LT255/70R15LT, P255/70R15 670R/710R/750R15LT, P235/245/70R15 |
| GR/HR/LR15LT | | | | |
| 700/750R15 | 322070 | TR150 | 25 mm | LT215/235/75R15, P255/65R15 P255/60R15 GR/HR/LR16LT |
| 700/750R16LT | 322060 | TR150 | 25 mm | LT215/235/85R16 LT225/245/265/75R16 |

For tube stem and valve stem information and specifications, refer to most recent Tire & Rim Association publications.

RADIAL LT TUBE FITMENT CHART (Continued)

| SIZE | PRODUCT CODE | VALVE | VALVE ON/OFF - CENTER | ALSO FITS |
|----------------|---------------|--------|-------------------------------------|--|
| 700/750R16LT | 322200 | TR13 | 25 mm | LR78-16LT, LT235/65R16, P265/75R16, P235/75R16 |
| | | | | LT225/70R16, LT235/70R16, P215/225/75R16LT, P235/65R17 |
| | | | | LT235/75R16, LT245/70R16, P225/70R16, P245/70R16 |
| | | | | LT225/85R16, LT245/75R16, P225/235/85R16, P255/70R16 |
| | | | | LT235/85R16, LT255/70R17, P235/65R16, P255/60R17 |
| | | | | LT255/60R17, LT235/65R17, P235/70R17, P265/70R16 |
| | | | | LT215/235/85R16, P245/75R16, P265/60R17 |
| 700/750R16LT | 322220 | TR15CW | 25 mm | GR/HR/LR78-16LT, MR16HD, P215/225/75R16LT |
| | | | | LT215/235/85R16, LR78-16LT |
| | | | | LT225/85R16, LT225/70R16 |
| | | | | LT235/70R16, LT235/75R16 |
| | | | LT245/70R16, LT255/70R16, 8.25R16LT | |
| 7.00/7.50R16LT | 322210 | TR440 | ON | |
| 700/750R16LT | 322430 | TR13CW | 25 mm | LT215/235/85R16, MR16HD |
| 700/750R17/18 | 322440 | TR440 | ON | P265/60R17, P255/60R17, P235/65R17 |
| | | | | LT255/70R17, LT235/65R17 |
| | | | | LT255/60R17 |
| 9.50/10R16.5 | 322320 | TR15CW | 25 mm | 31 x 10.50R16.5LT, LT265/60D16.5 |
| 12R16.5LT | 323990 | TR15CW | 45 mm | 33 x 12.50R16.5LT, 305/70D16.5NHS, 305/90D16.5NHS |

For tube stem and valve stem information and specifications, refer to most recent Tire & Rim Association publications.

REAR FARM RADIAL

| SIZE | PRODUCT CODE | VALVE | VALVE ON/OFF - CENTER | ALSO FITS |
|---------------------|----------------------|--------|-----------------------|---------------------------------|
| 11.2/12.4R24 | 323960 | TR218A | 50 mm | 320/85R24 |
| 13.6/14.9R24 | 323950 | TR218A | 55 mm | 340/85R24, 380/85R24 |
| 14.9-16.9/17.5LR24 | 323760 | TR218A | 70 mm | 460/70R24 |
| 18.4/19.5L/21LR24 | 323770 | TR218A | 70 mm | 500/70R24, 540/70R24 |
| 13.6/14.9R28/30 | 323750 | TR218A | 83 mm | 340/85R28, 380/85R28, 380/85R30 |
| 13.6/14.9R26/28 | 324110 | TR218A | 58 mm | 340/85R28, 380/85R28 |
| 16.9/18.4R26/28 | 323730 | TR218A | 89 mm | 480/80R26 |
| 14.9R30 | 323741 | TR218A | 84 mm | 380/85R30 |
| 16.9/18.4R30 | 323780 | TR218A | 89 mm | 420/90R30, 480/80R30 |
| 24.5R32 | 323742 | TR218A | 125 mm | 650/75R32 |
| 13.6/14.9R34 | 324120 | TR218A | 58 mm | 380/85R34 |
| 16.9/18.4R34 | 323700 | TR218A | 89 mm | 420/85R34, 480/85R34 |
| 11.2/12.4R38 | 323631 | TR218A | 70 mm | 290/90R38 |
| 14.9R36, 13.6/14.9/ | | | | |
| 15.5R38 | 323720 | TR218A | 83 mm | 380/80R38 |
| 16.9/18.4R38 | 323690/323691 | TR218A | 89 mm | 480/80R38 |
| 20.8R38 | 323710 | TR218A | 90 mm | 520/85R38 |
| 18.4R/20.8R42 | 323740/323692 | TR218A | 90 mm | 480/80R42, 520/85R42 |
| 16.9/18.4R46 | 323693/323694 | TR218A | 50 mm | 420/80R46, 480/80R46 |

For tube stem and valve stem information and specifications, refer to most recent Tire & Rim Association publications.



PASSENGER TUBE FITMENT CHART

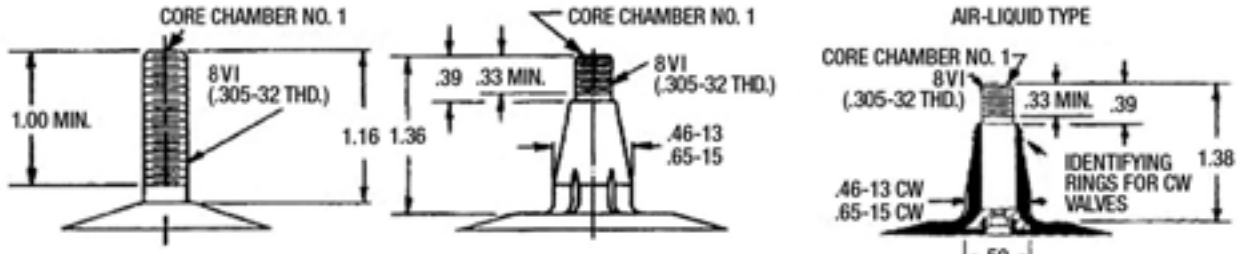
| SIZE | PRODUCT CODE | VALVE | VALVE ON/OFF - CENTER | ALSO FITS |
|------------------------------|--------------|-------|-----------------------|--|
| DR 12/4.00/4.50/4.80/5.30-12 | 323844 | TR-13 | 10 mm | DR12, 4.00-12 |
| | | | | 4.50-12 |
| | | | | 4.80-12 |
| | | | | 5.30-12 |
| ER 12/13 | 322160 | TR-13 | 20 mm | A78-13, 145/80R12/13, 185/60R13, 5.00-12/13 |
| | | | | 135R12, 155/80R13, 195/60R13, 5.20-12/13 |
| | | | | 145R12/13, 165/70R12/13, AR78-12, 5.50-12 |
| | | | | 155R12/13, 155/70R12, BR78-12, 5.60-12/13 |
| FR 13/14 | 322010 | TR-13 | 20 mm | 165R13, 6R12SL |
| | | | | A78-13/14, 165R14, 185/70R13/14, 6.00-13/14 |
| | | | | B78-13/14, 165/80R13/14, 205/60R13/14, 6.15-13 |
| | | | | A70-13, 175/80R13, 185/60R14, 6.40-13 |
| | | | | B70-13/14, 155/80R14, 195/60R14, 6.50-13 |
| | | | | A60-13/14, 165/75R13/14, AR78-13/14, 6R14SL |
| | | | | B60-13/14, 175/75R13/14, BR78-13/14, 7R14SL |
| | | | | 175R13, 185/75R13, AR70-13 |
| | | | | 155R14, 175/70R13/14, BR70-13/14 |
| | | | | FR 15 |
| | | | | B78-15, 155/80R15, 205/60R15, 5.50-15 |
| | | | | B70-15, 165/80R15, AR78-15, 6.00-15 |
| | | | | 155R15, 175/75R15, BR78-15 |
| | | | | 165R15, 185/70R15, BR70-15 |
| GR 13/14/15 | 322020 | TR-13 | 25 mm | C78-13/14/15, G60-14, 215/60R14/15, 7.00R13/14 |
| | | | | D78-13/14/15, 185R13/14/15, 225/60R14/15, 6.50R14 |
| | | | | E78-14/15, 195R13/14/15, 245/60R14, 7.35R14 |
| | | | | F78-14/15, 175R14, CR78-13/14/15, 6.85R15 |
| | | | | C70-13/14/15, 185/80R13/14, DR78-13/14/15, LT195/75R14 |
| | | | | D70-13/14/15, 175/80R14, ER78-14/15, 700R14LT |
| | | | | E70-14/15, 195/75R13/14/15, FR78-15, 7.9R14LT |
| | | | | F70-14/15, 185/75R14/15, CR70-13/14/15, 26 x 850R14LT |
| | | | | C60-14/15, 205/75R14, DR70-13/14/15, 27 x 850R14LT |
| | | | | D60-14/15, 195/70R13/14/15, ER70-14/15, 27 x 750R15LT |
| | | | | E60-14/15, 205/70R13/14/15, FR70-14/15 |
| | | | | F60-14/15, 235/6013/14, 6.70R13/14 |
| KR 14/15 | 322030 | TR-13 | 30 mm | G78-14/15, 225R15, 235/60R15, 7.75R14/15 |
| | | | | H78-14/15, 195/80R15, 245/60R15, 8.00R14/15 |
| | | | | G70-14/15, 215/75R14/15, FR78-14, 8.25R14/15 |
| | | | | H70-14/15, 225/75R14, GR78-14/15, 8.55R15 |
| | | | | H60-14/15, 205/75R15, HR78-14/15 |
| | | | | G60-15, 215/70R14/15, GR70-14/15 |
| | | | | 205R14/15, 225/70R14/15, HR70-14/15 |
| | | | | 215R14/15, 255/60R14, 7.50R14/15 |
| MR 14/15 | 322040 | TR-13 | 25 mm | J78-14/15, M60-14/15, 265/60R14/15, LR70-15 |
| | | | | K78-15, N60-15, 275/60R14/15, 8.50R14 |
| | | | | L78-15, 225R14, 255/60R15, 8.85R14/15 |
| | | | | N78-15, 235R15, JR78-14/15, 9.00R14/15 |

For tube stem and valve stem information and specifications, refer to most recent Tire & Rim Association publications.

PASSENGER TUBE FITMENT CHART (Continued)

| SIZE | PRODUCT CODE | VALVE | VALVE ON/OFF - CENTER | ALSO FITS | |
|----------|---------------|-------|-----------------------|---|----------------------------------|
| | 322050 | | | J70-14/15, 235/75R14/15, KR78-15, 9.50R14 | |
| | | | | K70-15, 225/75R15, LR78-15, 9.15R15 | |
| | | | | L70-15, 235/70R14/15, NR78-15 | |
| | | | | J60-14, 245/70R14/15, JR70-14/15 | |
| | | | | L60-14/15, 255/70R15, KR70-15 | |
| GR/KR 16 | | | TR-15 | 25 mm | F78-16, FR78-16, 5.50R16, 7R16SL |
| | | | | | H78-16, HR78-16, 6.00R16, 8R16SL |
| | | | | | L78-16, JR78-16, 6.50R16 |
| | | | | | LR78-16, 6.70R16 |
| | | | | | 7.00R16 |
| | 322190 | | | 7.50R16 | |
| GR/KR 16 | | | TR-15CW | 25 mm | F78-16, FR78-1,6 8.00R16 |
| | | | | | H78-16, HR78-16, 8.25R16 |
| | | | | | L78-16, LR78-16 |

For tube stem and valve stem information and specifications, refer to most recent Tire & Rim Association publications.

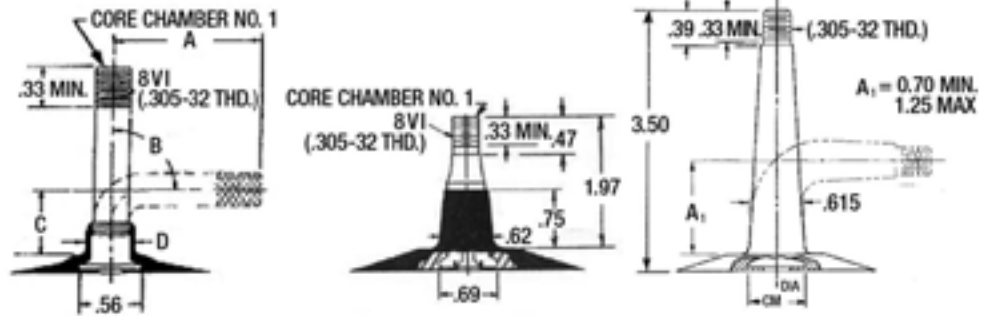


TR 6

TR 13 (TR15)

TR 13CW-TR 15CW*

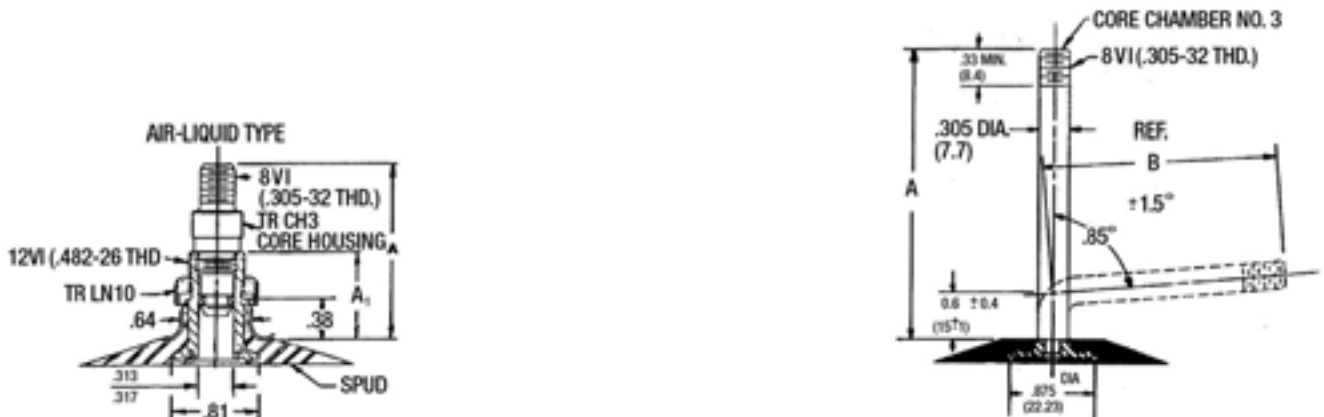
*To be used where liquid fill is used in tubes



TR 87 / JS 2 / JS 87

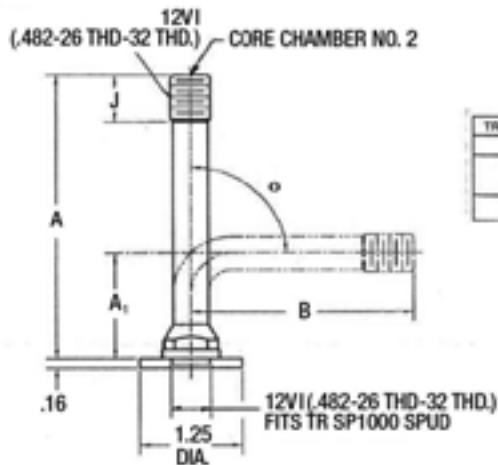
TR 300

TR 150



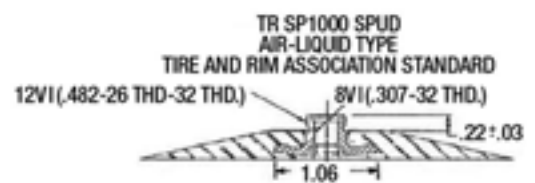
TR 218A / 220A

TR 440 SERIES



TR J1175C

| TR VALVE NO. | FORM | A | A ₁ | B | J | Z |
|--------------|------|------|----------------|------|------|----|
| J 1014 | A | 1.91 | - | - | 1.44 | - |
| J 1014 | A | 4.16 | - | - | 72 | - |
| J 1026 | D | - | 2.06 | 2.31 | 75 | 90 |
| J 1026 | E | - | 1.28 | 3.00 | 75 | 88 |
| J 1175 | A | 5.28 | - | - | 75 | - |
| J 1175 | C | - | 1.38 | 4.12 | 75 | 88 |



TR SP1000 SPUD



PROPOSITION 65

California's Proposition 65, also known as the Safe Drinking Water and Toxic Enforcement Act of 1986, requires the Governor of California to publish a list of chemicals known by the state to cause cancer, birth defects or other reproductive harm. The complete list of Prop 65 chemicals is available here:

http://www.oehha.ca.gov/prop65/prop65_list/Newlist.html

This notice is intended to warn Carlstar's customers that some products distributed by the Carlstar Group in California contain chemicals that are included on California's Prop 65 list. Such products include:

| | | |
|--------------------|---|----------------------------|
| Tires | alpha-styrene, butadiene, cadmium, carbon black | cancer / reproductive harm |
| Wheels | cadmium, beryllium, hexavalent chromium | cancer / reproductive harm |
| Valve Stems | carbon black | cancer |
| Sealant | ethylene glycol | reproductive harm |

which is [are] known to the State of California to cause both cancer and birth defects or other reproductive harm. For more information go to www.P65Warnings.ca.gov.

The Carlstar Group has chosen to provide this warning based on its knowledge about the presence of one or more Prop 65 chemicals in its products. The Carlstar Group has not attempted to evaluate the level of possible exposure. Products distributed by the Carlstar Group may contain listed chemicals at levels that are below the Proposition 65 level of concern, or could even be zero. Out of an abundance of caution, the Carlstar Group has elected to place the Proposition 65 warning notification on all its products that contain chemicals identified on California's Prop 65 list.



UNITED STATES

- Aiken, SC
- Clinton, TN
- Edwardsville, KS
- Kent, WA
- Fontana, CA
- Franklin (Nashville), TN
- Jackson, TN
- McDonough, GA
- Slinger, WI



Budapest, Hungary

Meizhou, China



Corporate Office

The Carlstar Group, LLC

725 Cool Springs Blvd.

Suite 500

Franklin, TN 37067

Tel: **+1 615-503-0220**

Email: **brand@carlstargroup.com**

© 2019 The Carlstar Group, LLC.

All rights reserved.

Revision 12/18. Part #CSL-L-1610

Customer Service:

USA

Tel: **+1 800-827-1001**

Email: **orders@carlstargroup.com**

Warranty Department:

Tel: **+1 800-260-7959**

Email: **customer.care@carlstargroup.com**

Canada

Waterloo Tel: **1(800)265-6155**

Edmonton Tel: **1(877)842-6275**

AUTHORIZED CARLSTAR DISTRIBUTOR

