

# INNOVEC

## CONTROLS PTY LTD

### INNOVEC IDP DIAPHRAGM PUMP



The **IDP Diaphragm Pump** is an air operated pump with dual diaphragms. It has common applications in tank transfers or Innovec filling machines.

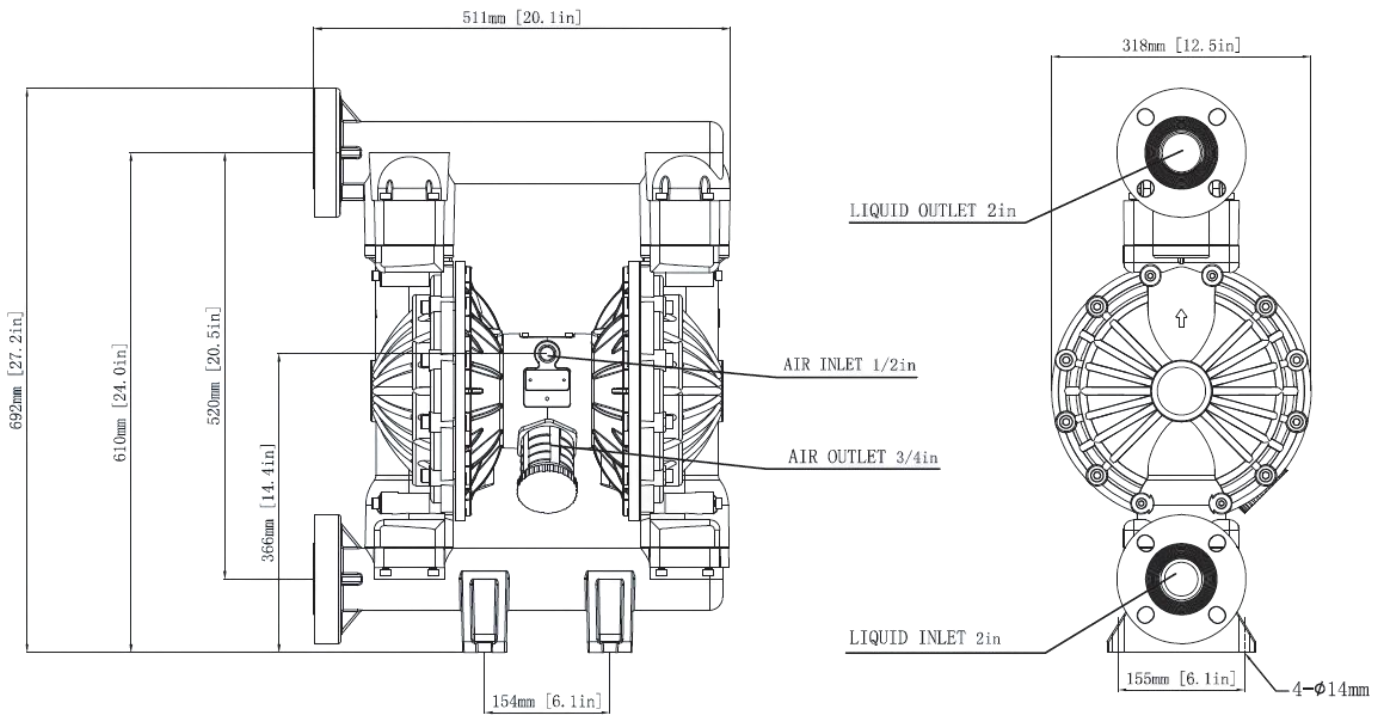
#### TECHNICAL SPECIFICATIONS

##### Connection Details

Part Name	Measurement
Maximum Suction Lift Dry Wet	5m 8m
Maximum Particle Diameter	6mm
Suction and Discharge Size	50.8mm/Npt/F
Air Inlet Size	12.7mm
Maximum Flow Rate	587 L/min
Maximum Head	84m
Maximum Air Inlet Pressure	8.4bar
Maximum Air Consumption	4.9m <sup>3</sup> /min
Liquid Inlet Diameter	50.8mm
Liquid Outlet Diameter	50.8mm

## Mounting Details

- Mounted from 2 feet 154mm apart.



## Material

- Main body: Polypropylene (PP) and Polyvinylidene Difluoride (PVDF)

## Ordering Information

- Model
- Sample number:
- IDP