



# SHELTER ASSEMBLY MANUAL

**Container Shelter with End Panel**

## SPECIFICATION

Width: 6m   Length: 6m   Height: 2m

### IMPORTANT - READ MANUAL FIRST

Improper site preparation, assembly and maintenance may invalidate warranty and cause unnecessary and costly mistakes. If you have any questions, contact your local dealer.

For user friendly assembly we have identified each individual component with the part code as indicated in the parts list. Please refer to the part code numbers and drawing to ensure problem free assembly.

It's necessary to tighten the roof fabric enough to avoid "hammocks" on the roof and re-tighten once or twice again after a few months of use. This is important when assembling in cold weather (autumn and winter) because the fabric is stiff and when the sun and warm weather comes afterwards it will make the fabric "slack" and will need to be re-tightened before next winter.

It's the owner's responsibility to remove snow immediately if it does not slide off by itself.

### READ ALL INSTRUCTIONS BEFORE ASSEMBLY

1. Keep the work area clean. Cluttered areas invite injuries. Do not set up near snow drifts, in slippery places, in high winds, or in wet locations.
2. All children should be kept away from the work area.
3. Don't overreach. Always keep proper footing and balance.
4. Do not assemble if you are under the influence of alcohol or drugs. Read warning labels on prescriptions to determine if your judgment or reflexes are impaired while taking drugs. If there is any doubt, do not assemble.
5. Be aware of possible windy conditions; fasten the bases in concrete if these conditions are likely to occur. Remove the cover during hurricanes.
6. Be careful with power and heat sources. Do not keep heat sources near the tarpaulin. Do not expose to open flame.
7. Be aware of personal safety during assembly and use. Be careful not to pinch your fingers with clips and tubes when assembling. When using make sure there is adequate ventilation for exhaust and other dangerous fumes.

## Part List

Part Code	Description	1.5m Arch Spacing Qty
L1	Base plate for corners of female square tube	2
L2	Base plate for corners of male square tube	2
R1	Base plate for inner arch frame of square tube	4
1	Three way fitting	2
2	Four way fitting	3
3	Top bent tube	10
4	Sidewall bent tube	10
5	Top roof purlin	4
6	Connection purlin	16
7	Lower tension tube for roof cover	8/2 groups
7A	Tie down ratchet	10
7B	Band for tie down ratchet	10
8	Angle seat	4
9	Roof cover	1
10	Plastic cap for the tension tube	4
11	Ropes	1 bundle
12	Plastic plug - 30*50mm	4
13	Carriage bolt - M8x70	96
14	Hexagon socket bolt - M8x20	8
15	Connector for fixing square tube	6
16	Bolt for square tube - M10*60	8
16A	Tension tube for back panel	4
17	Angel seat (apply to tension tube fixed)	6
18	Big ratchet with band	2
19	Iron plate	2
20	Bolt - M10X30	6
21	Ropes	1 bundle
22	Back panel	1

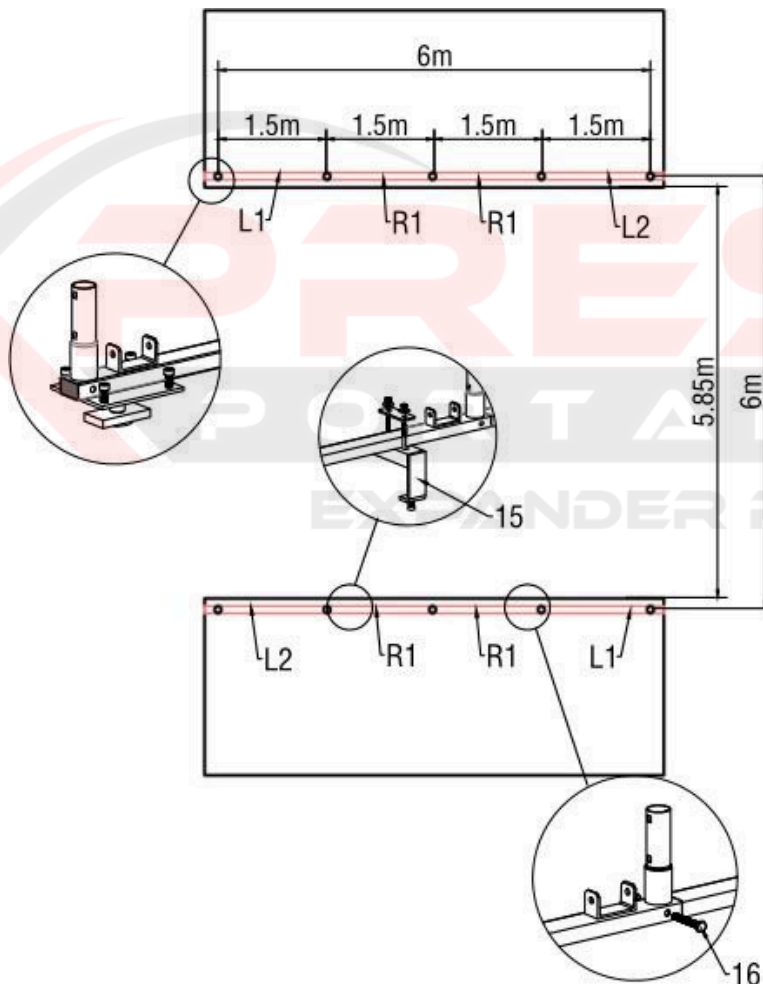
## EQUIPMENT AND TOOLS FOR INSTALLATION

1. Measuring tape
2. String for alignment
3. Step ladder
4. Sledge hammer
5. Wrench
6. Scissors

## INSTALLATION PROCESS

### A - BASE INSTALLATION

Please refer to the diagram (Figure 1) to place the model C2020H base plates.



**Figure 1**

#### NOTE:

1. The measure is from center to center of the tubes. Refer to the above diagram and confirm the placement of the base plates. **Ensure that the foundation is square.**
2. Insert the Plastic Plug 30\*50mm (No.12) into the ends of base rails.
3. The connector (No.15) please refer to No.E & No.F, the Base plate for inner arch frame please refer to No.C & No.D, the Base plate for corners please refer to No.A & No.B as below:



(A)



(B)



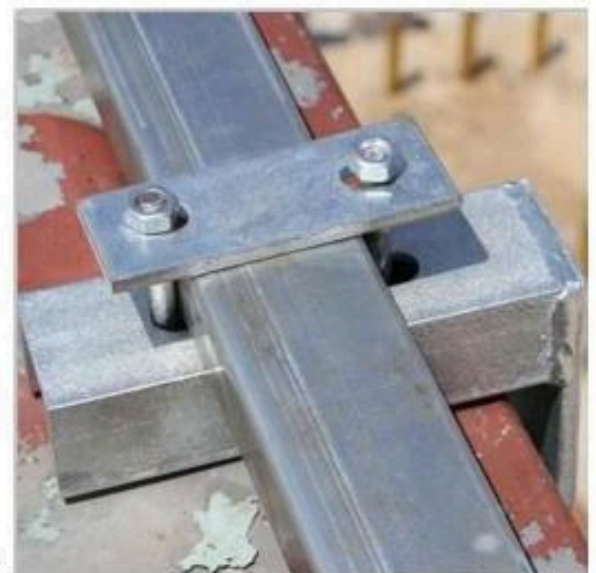
(C)



(D)

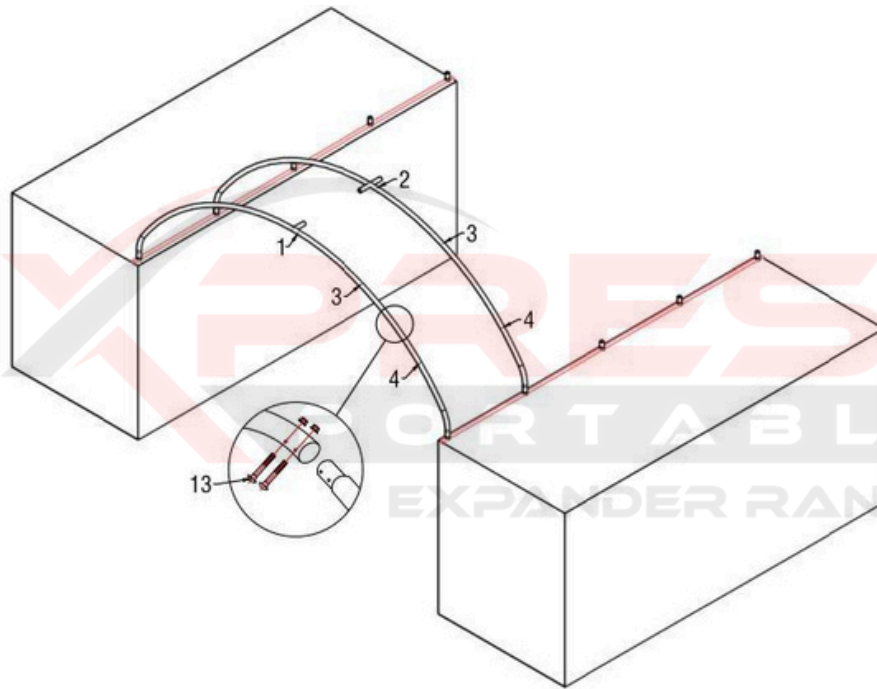


(E)



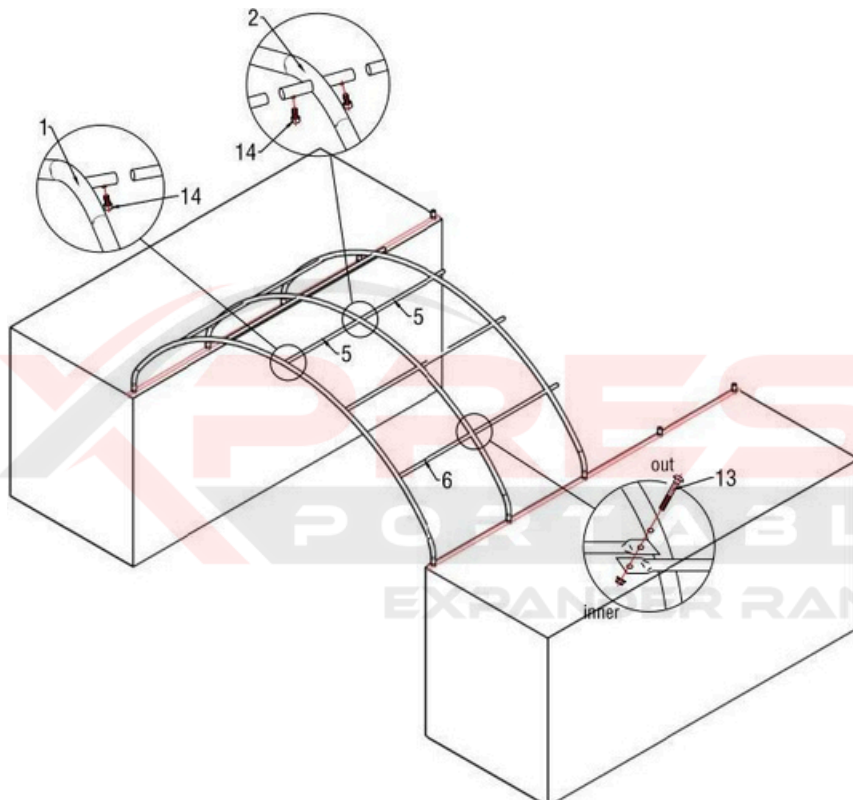
(F)

## B - FRAME INSTALLATION



**Figure 2**

1. As Figure 2 shows, find three-way fitting (part code 1), Top bent tube (part code 3) and Sidewall bent tubes (part code 4). To connect them by Screw M8x70mm (part code 13). Which makes one group of arches. Please NOTE the direction of the screw. DO NOT install the screws on the top of the truss where the fabric will rest.
2. Lift an assembled arch into one base plate and force the other end of the arch into the opposite base plate.



**Figure 3**

3. When finishing installing the first two arches, connect the Connection purlin onto them by using screw M8x70 (part code 13). There are 4 pieces of connection purlins (part code 6) and 1 piece of Top roof purlin (part code 5) between each arch. Then install the third arch into base plate and connect the purlins. By turns the assembly for the frame is finished.

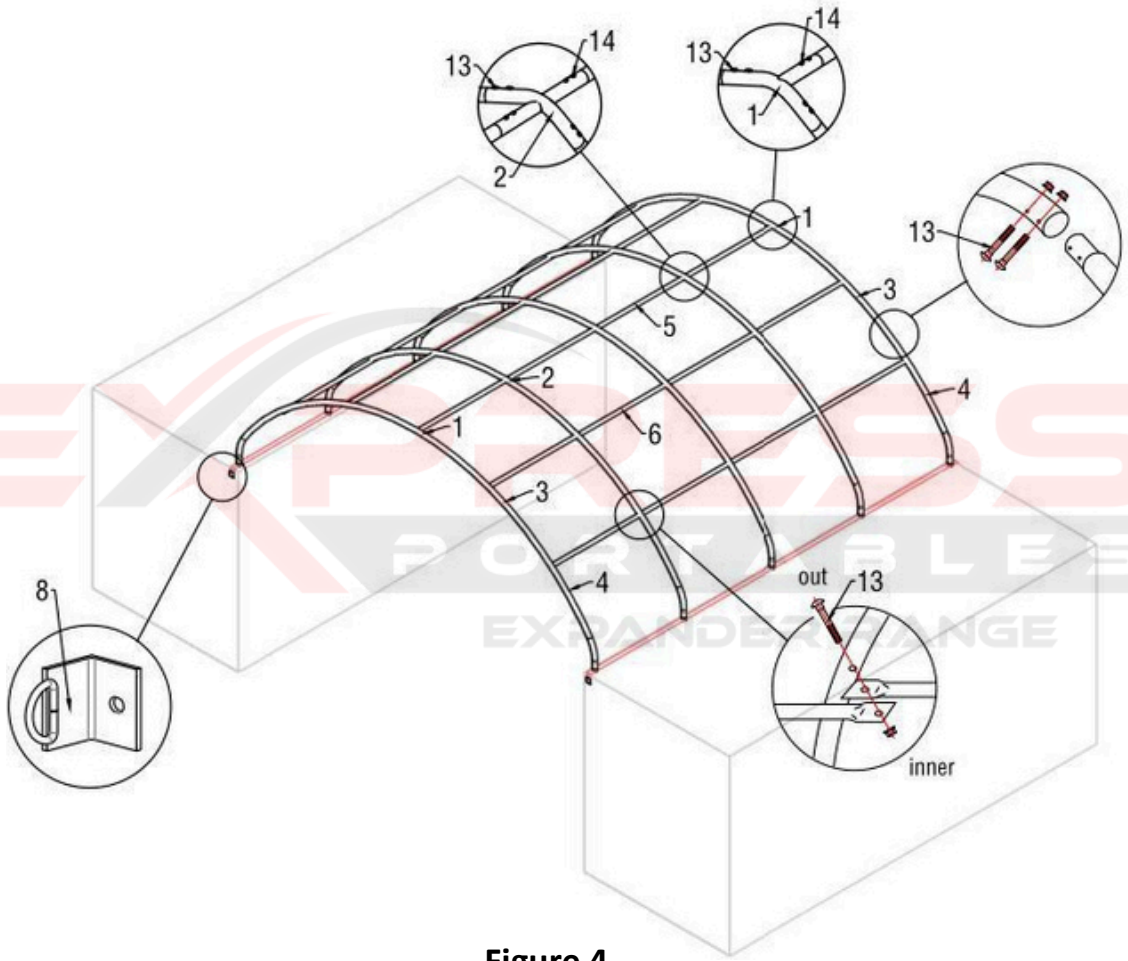


Figure 4

**C - INSTALL THE END COVER**

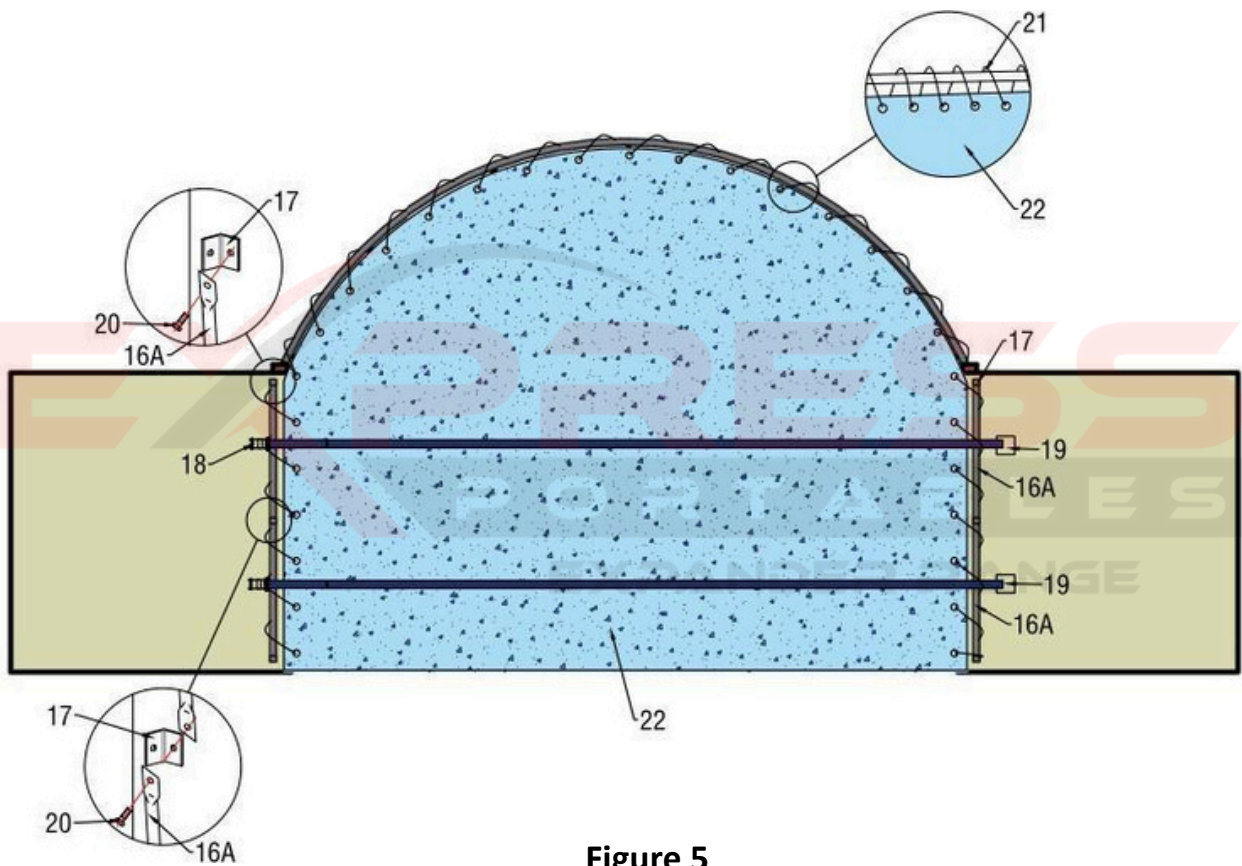
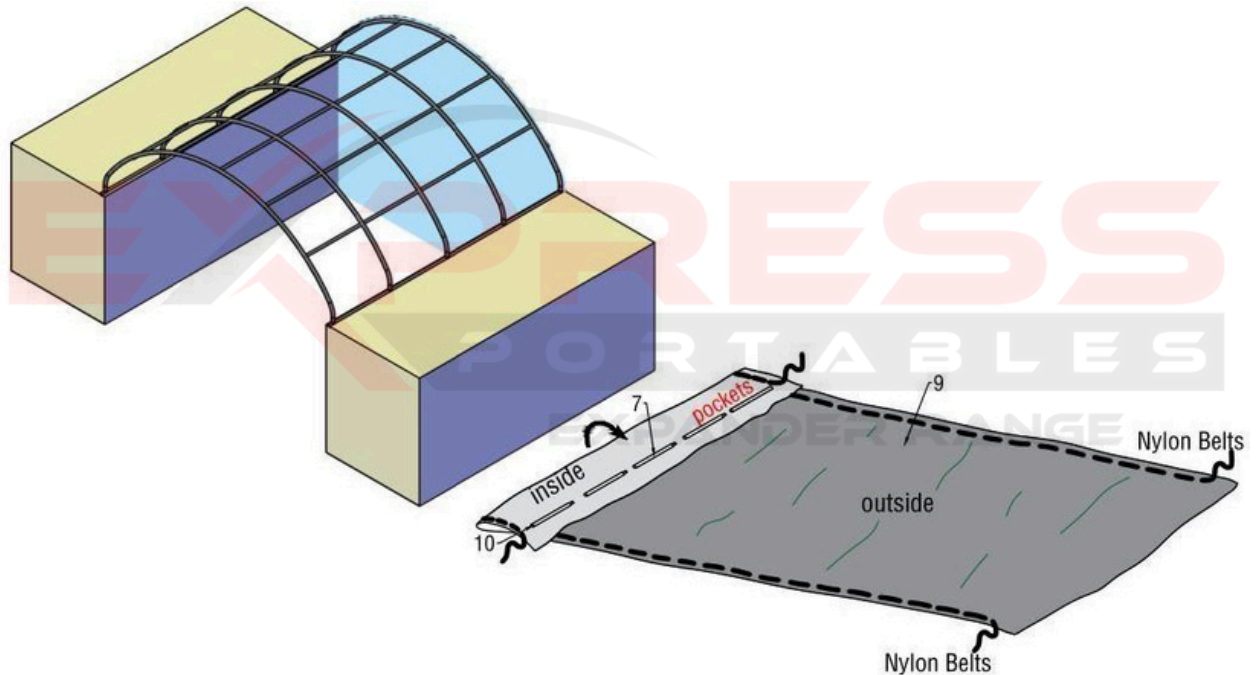


Figure 5

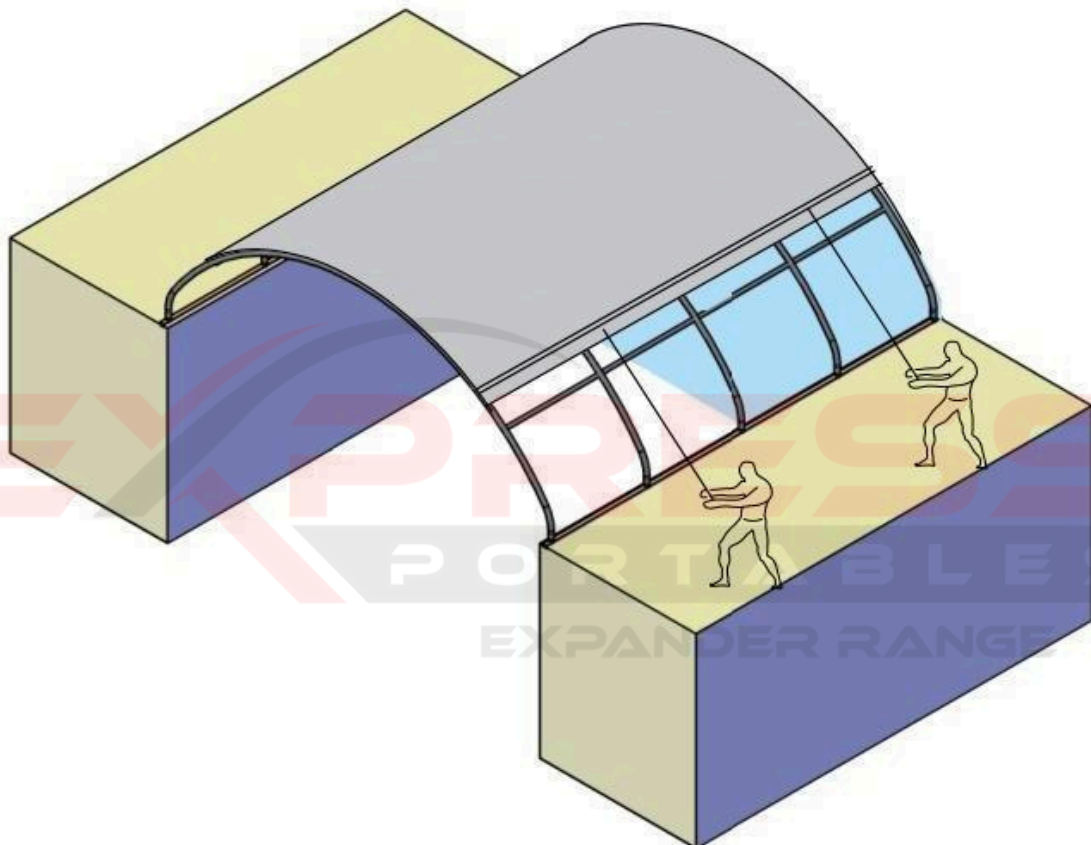
## D - INSTALL THE ROOF COVER

**NOTE: DO NOT** install the cover onto the frame of your building in high wind conditions. A slight breeze is the most advantageous for cover installation. To take advantage of the breeze, pull the cover up over the arches with the breeze blowing in the cover like a sail filled with air.

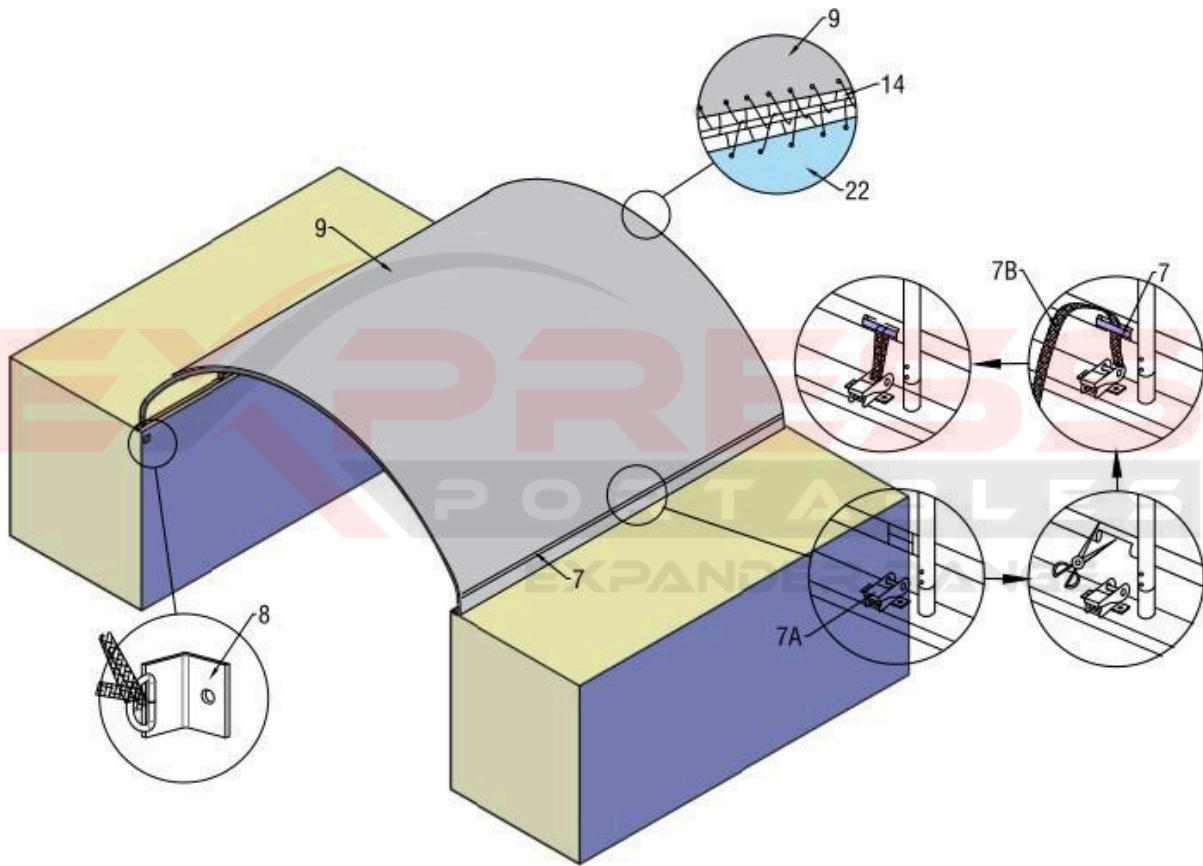


**Figure 6**

1. Put the Roof cover (part code 9) evenly, carefully, and slowly on the frame. Adjust the cover so that it is square and evenly centered on the frame.



**Figure 7**



**Figure 8**

### Tension tubes

2. Cut pockets according to the position of the base plates and put the lower tension tubes for roof cover (part code 7) into the pocket of roof cover. Then use the rope (part code 11) to tie down the lower tension tubes like Figure 7 & Figure 8.
3. Finally install the plastic plug for base rail section (part code 10) into the two ends of the Lower

### NOTE:

**Do not leave the roof cover unattached under any circumstances until the final assembly and tightening has been completed.**

**The process is quite easy. Some tightening adjustments will be necessary to produce a flat, tensioned roof cover. Please adjust the roof cover every month.**