

# CASHLESS LAUNDRY MACHINES

## CREDIT/DEBIT CARD READERS



### SAVE TIME & MONEY

- Prevent vandalism and damage to machines from coin thieves
- Never waste time collecting and counting coins again
- Don't lose customers because they don't carry coins – use payment methods your customers readily have on hand
- Card payments usually equal higher spend and greater profit
- Flexible pricing lets you charge any dollar/cents amount



### DURABLE DESIGN

- Water and chemical proof
- Suitable for indoor and outdoor use
- Fully compliant with all Australian banking, payment and security regulations – full PCI and EMV Level 1 certified solution



### ALL MAJOR PAYMENT TYPES

- All major payment types accepted – credit/debit cards, MasterCard, Visa, Apple Pay, Android Pay or any other NFC (Contactless) options
- Customers can swipe, insert or tap their payment



### EASY SETUP

- Our washers and dryers are pre-fitted with everything needed, including reader, modem with its own sim card and mini aerial
- No extra power, WiFi, phone lines or antennas are needed – everything is built into the machine
- Bolt-on kits are available for simple retrofit on older machines



### ONLINE REPORTING

- Full accountability with online income reports in real-time
- View transaction reports securely online
- Income and settlement reporting, cycle information and more

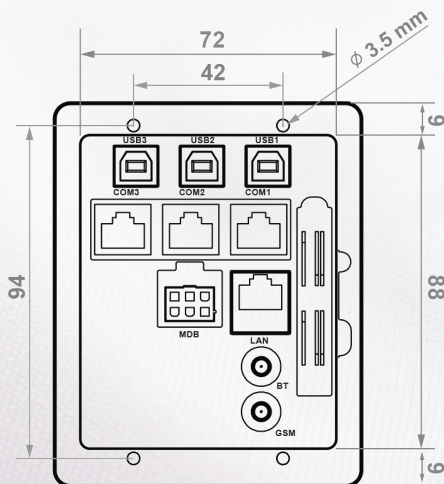
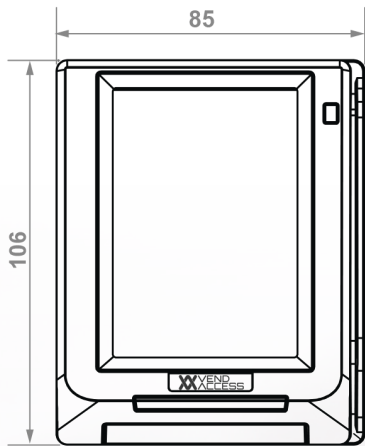
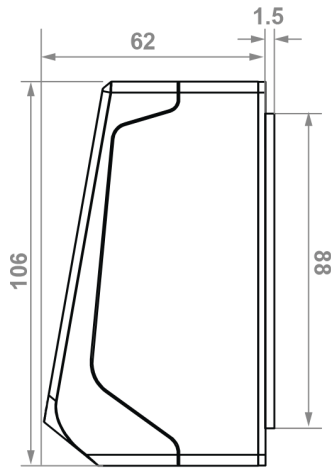


MHN33PD (pictured)



# CASHLESS LAUNDRY MACHINES

## CREDIT/DEBIT CARD READERS



SPECIFICATIONS CARD READER		
Memory	256MB/128MB	
Display	3.5" 320 x 480 Pixels Color TFT LCD Touchscreen	
CARD READER - Contactless	ISO 14443 Type A, B   ISO 18092 NFC   Mifare and Sony FeliCa Working   Frequency 13.56MHz	
CARD READER - Contact Card	User: ISO 7816 ID-1 1.8V/3V/5V T=0, T=1 - SAM: 2 (upt to 4)	
CARD READER - Magnetic Swipe	ISO 7810, 7811, 7813 Triple Track, Bi-Directional	
COMMUNICATION INTERFACES - Wireless	4G (DUAL SIM)   Bluetooth iBeacon   Ethernet	
COMMUNICATION INTERFACES - Wired	3x RS232   1x USB OTG   2x USB Host	
Keypad	Virtual Keypad (supports PIN on touch)	
Audio	Speaker	
Dimensions	106 x 85 x 62 (mm)	
Weight	335 g	
Certifications	PCI PTS 5.x   EMV L1/L2   payWave   PayPass   ExpressPay D-PAS   Interac Flash   FeliCa   UICS   TQM   PBOC L1/L2	
<b>ENVIRONMENT</b>	Operating Temperature	-20° C to 65° C
	Storage Temperature	-35° C to 65° C
	Operating Humidity	5% to 90% non-condensing
	Storage Humidity	5% to 95% non-condensing
	IP Ingress Protection	IP 54
	IK Shock Protection	IK 10