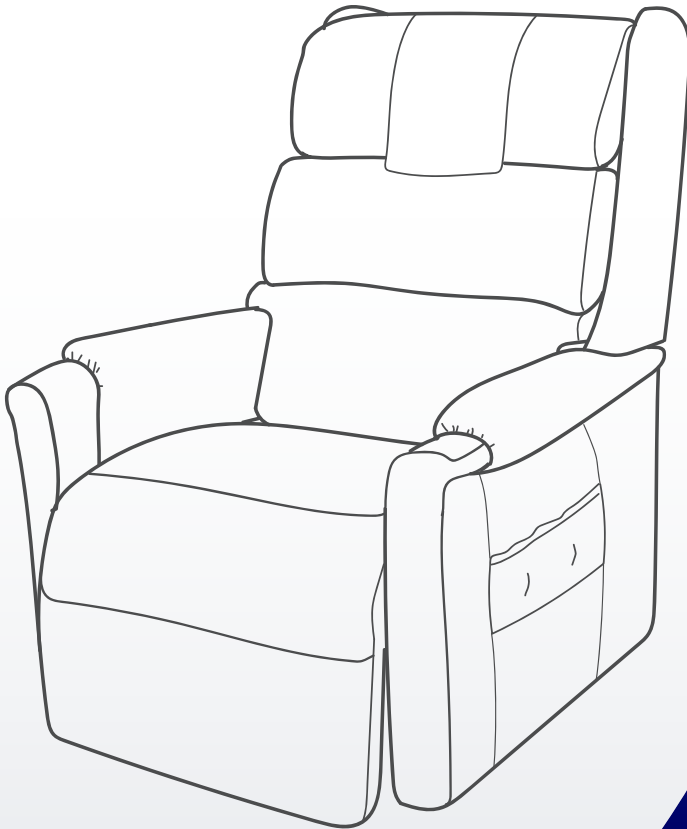




SIGNATURE LIFT RECLINE CHAIRS

USER MANUAL

- Space Saver
- Dual Action



SIGNATURE SERIES

The symbols below are used throughout this owner's manual and on the product to identify warnings and important information. It is very important for you to read them and understand them completely.



WARNING! Indicates a potentially hazardous condition/situation. Failure to follow designated procedures can cause either personal injury, component damage or malfunction. On the product, this icon is represented as a black symbol on a yellow triangle with a black border.



MANDATORY! These actions should be performed as specified. Failure to perform mandatory actions can cause personal injury and/or equipment damage. On the product, this icon is represented as a white symbol on a blue dot with a white border.

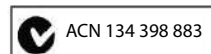


PROHIBITED! These actions are prohibited. These actions should not be performed at any time or in any circumstances. Performing a prohibited action can cause personal injury and/or equipment damage. On the product, this icon is represented as a black symbol with a red circle and red slash.

Please fill out the following information for quick reference:

Aspire Dealer	
Address	
Phone Number	
Purchase Date	
Serial Number	

NOTE: This owner's manual is compiled from the latest specifications and product information available at the time of publication. We reserve the right to make changes as they become necessary. Any changes to our products may cause slight variations between the illustrations and explanations in this manual and the product you have purchased. The latest/current version of this manual is available on our website.



Aidacare Pty Ltd
ASPIRE MOBILITY PRODUCTS

LABEL INFORMATION

PRODUCT SAFETY SYMBOLS

The symbols below represent labels used on the product to identify warnings, mandatory actions and prohibited actions. It is very important for you to read and understand these symbols completely. Do not remove these labels from your product. Please note that not all of the symbols may be used on your lift chair model.



Pinch/Crush Points Hazard! Do not place objects or appendages in the path of moving parts.



Do not place objects under the footrest when the lift chair is in the fully reclined position. Make sure area is clear of obstructions, including pets and small children during operation.



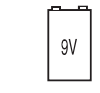
Electrical Hazard



Do not cover or place the external transformer under the riser recliner. Keep in an open, well-ventilated area free from foreign material and away from possible pinch points.



Read and follow the information in the owner's manual.



Battery Door Location



Maximum weight capacity



Indoor Use Only. Avoid exposure to rain, snow, ice, salt or standing water. Maintain and store in a clean and dry environment.



Do not connect an extension lead to the AC/DC converter or the battery charger.



Class II Equipment



Removal of grounding prong can create electrical hazard. If necessary, properly install an approved 3-pronged adapter to an electrical outlet having 2-pronged plug access.



Green LED indicates power to the unit is on. Not applicable to all models.



Properly dispose of all electronic components, including the external transformer, hand control, batteries, actuator motors and wiring. Contact your authorised Aspire Dealer for more information.



Degree of protection against electric shock.



Do not place objects under the lift chair. Make sure the area is clear of obstructions, including pets and small children during operation.



This product has been tested and complies to IEC 60601-1-2.

TABLE OF CONTENTS

Signature Series	2	4. Assembly/Disassembly	12
Label Information	3	• Lift chair set-up	
1. Introduction	5	• Lift chair placement	
• Safety		• Battery installation	
• Purchaser's agreement		• Lift chair disassembly	
• Information exchange		5. Operation	17
2. General Guidelines	6	• Safe operating precautions	
• Modifications		• Hand control operation	
• Weight Limitations		• Space Saver hand control operation	
• Pinch / crush hazards		• Dual Action hand control operation	
• Degree of protection / mode of operation		6. Troubleshooting	20
• Storage and operation temperatures		• Frequently asked questions	
• EMI/RFI		7. Care and Maintenance	21
• Shipping and delivery		• Fabric care	
• Motor vehicle transport		• Electronics care	
3. Your Lift Chair	9	8. Warranty	22
• Body components		9. Specifications	23
• Electrical components		10. Appendix	24

1. INTRODUCTION

SAFETY

CONGRATULATIONS on purchasing your Aspire Signature Lift Chair. The product you have purchased combines state-of-the-art components with **safety**, comfort and styling in mind. We are confident the design features will provide you with the conveniences you expect during your daily activities. Understanding how to **safely** operate and care for this product should bring you years of trouble-free operation and service.

Read and follow all instructions, warnings and notes in this manual and all other accompanying literature before attempting to operate this product for the first time. In addition, your **safety** depends upon you, as well as your dealer, carer or healthcare professional in using good judgement.

If there is any information in this manual which you do not understand, or if you require additional assistance for setup or operation, please contact your authorised Aspire Dealer. **Failure to follow the instructions, warnings and notes in this manual and those located on your Aspire product can result in personal injury or product damage and will void the Aspire product warranty.**

PURCHASER'S AGREEMENT

By accepting delivery of this product, you promise that you will not change, alter or modify this product or remove or render inoperable or unsafe any guards, shields or other safety features of this product; fail, refuse or neglect to install any retrofit kits from time to time provided by Aspire to enhance or preserve the safe use of this product.

INFORMATION EXCHANGE

We want to hear your questions, comments and suggestions about this manual. We would also like to hear about the safety and reliability of your new lift chair and about the service you received from your authorised Aspire Dealer. Please notify us of any change of address, so we can keep you apprised of important information about safety, new products and new options that can increase your ability to use and enjoy your lift chair.

Please feel free to contact us at the address below:

Australia:

Aidacare Head Office
Building 3A, 1 Moorebank Avenue,
Moorebank NSW 2170

NOTE: If you ever lose or misplace your product registration card or your copy of this manual, contact us and we will be glad to send you a new one immediately.

2. GENERAL GUIDELINES

Your lift chair is a state-of-the-art life-enhancement device designed to increase mobility. Please be aware that the final selection and purchasing decision regarding the type of lift chair to be used is the responsibility of you, the lift chair user, if capable of making such a decision, and/or your healthcare professional (i.e., medical doctor, allied health professional, therapist, etc.).



MANDATORY! Read and follow the information provided in this owner's manual before attempting to operate your lift chair for the first time.

There are certain situations, including some medical conditions, where you will need to practice operating the lift chair in the presence of a trained attendant. A trained attendant can be defined as a family member or healthcare professional specially trained in assisting you with performing various daily living activities while safely operating a lift chair.

Below are some precautions, tips and other safety considerations that will help you become accustomed to operating the lift chair in a safe manner.

MODIFICATIONS

Aspire chairs are designed and engineered to provide maximum comfort and utility. However, to prevent personal injury and/or damage to your lift chair, you should not modify, add, remove or disable any feature, part or function of your lift chair. Unauthorised modifications may also void your product's warranty.

NOTE: Use Aspire approved parts only for all repairs and replacements.

WEIGHT LIMITATIONS

Your lift chair is rated for a maximum weight capacity. Refer to "Appendix A" for more information.



MANDATORY! Stay within the specified weight capacity of your lift chair. Failure to do so may result in injuries and/or product damage, Aidacare will not be held responsible for any such issues/failures.

PINCH/CRUSH HAZARDS

The scissor and lift mechanisms are labeled as pinch/crush point hazards on your lift chair. Keep clear of these areas and make sure the path of motion is unobstructed. See figure 3.1 for pinch/crush point locations.



WARNING! Do not place objects or appendages in the path of moving parts.

DEGREE OF PROTECTION/MODE OF OPERATION

- Class II equipment/Type B protection against electric shock
- Degree of protection against the ingress of solid/liquids—IPX0
- Mode of operation—Maximum Duty Cycle: 2 min. ON/18 min. OFF

STORAGE AND OPERATION TEMPERATURES

- Transportation or storage: -75°C/-104°F to 70°C/158°F
- Operation: 10°C/50°F to 40°C/104°F

ELECTROMAGNETIC AND RADIO FREQUENCY INTERFERENCE (EMI/RFI)



WARNING

WARNING! Laboratory tests have shown that electromagnetic and radio frequency waves can have an adverse affect on the performance of electrically-powered devices, such as lift chairs.

Electromagnetic and Radio Frequency Interference can come from sources such as cellular phones, mobile two-way radios (such as walkie-talkies), radio stations, TV stations, amateur radio (HAM) transmitters, wireless computer links, Wifi, microwave signals, paging transmitters and medium-range mobile transceivers used by emergency vehicles. In some cases, these waves can cause unintended movement or damage to the control system of electrically-powered devices. The lift chair user can help prevent electromagnetic interference by maintaining a minimum distance between portable and mobile RF communications equipment. It is recommended that at least 3 metres (9 feet) of distance be maintained between the lift chair and any handheld equipment emitting 10 W or more of output power. Refer to the manufacturer's literature for the handheld device to determine the maximum output power of that device.

Every electrically-powered device has an immunity (or resistance) to EMI. The higher the immunity level, the greater the protection against EMI. Per EMC standards, this product has passed immunity testing and is rated as a Group 1, Class B product, meaning the lift chair uses RF energy only for its internal function. Therefore, its RF emissions are very low and are not likely to cause any interference in nearby electronic equipment making the lift chair suitable for use in all establishments, including domestic establishments and hospitals.



WARNING! Be aware that cell phones, two-way radios, laptops and other types of radio transmitters may cause unintended movement of your electrically-powered device due to EMI. Exercise caution when using any of these items while operating your lift chair.



WARNING

WARNING! The addition of accessories or components to the lift chair can increase the susceptibility of the chair to EMI. Do not modify your lift chair in any way not authorised by Pride.

WARNING! Your lift chair itself can disturb the performance of other electrical devices located nearby, such as alarm systems.

NOTE: If unintended motion occurs, discontinue use of the lift chair. Contact Aidacare to report the incident.

3. YOUR LIFT CHAIR

SHIPPING AND DELIVERY

Before using your lift chair, make sure your delivery is complete as some components may be packaged individually. If you do not receive a complete delivery, please contact your authorised Aspire Dealer immediately. Where damage has occurred during transport, either to the packaging or content, please contact the delivery company responsible.

MOTOR VEHICLE TRANSPORT

If you will be transporting your lift chair in a motor vehicle, individual components (external transformer, etc.) should be secured. The lift chair itself must also be secured (a possible hazard during vehicle braking).

BODY COMPONENTS

This section describes the features of your lift chair. Carefully review the function and location of each item described, and note that the illustrations and option locations shown in this manual may not reflect the type of lift chair that you own.

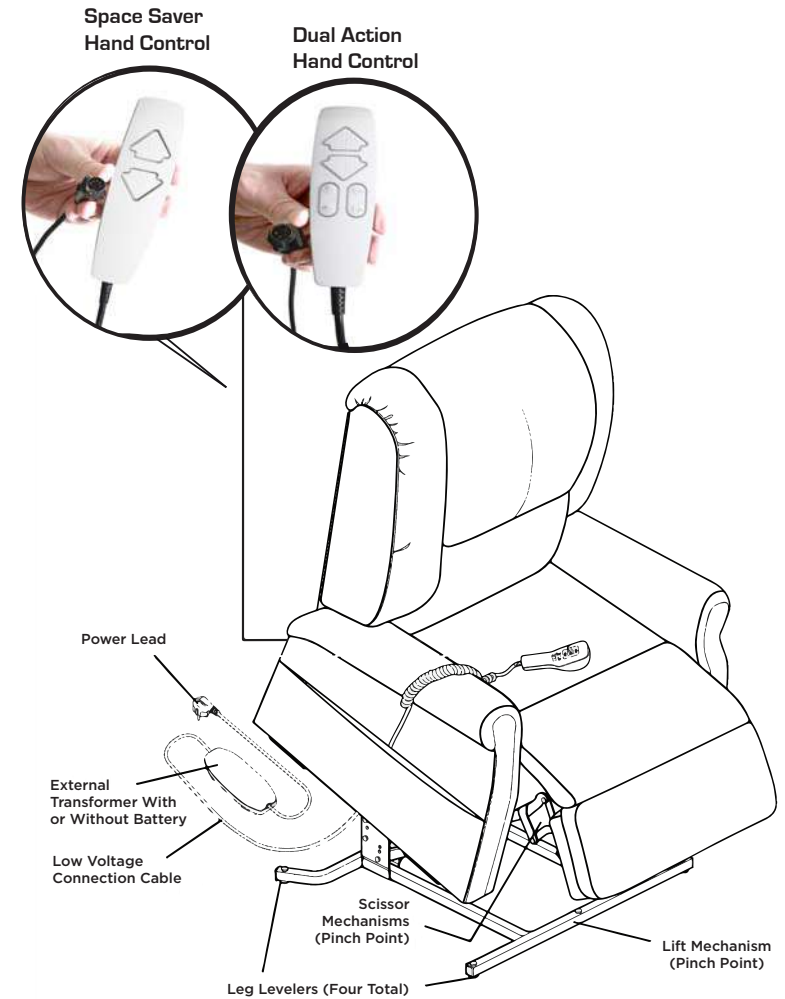


Figure 3.1 Signature Lift Chair Main Components

Lift Mechanism: Responds to the hand control commands to position the chair in the sit, recline and stand positions.

Leg Levelers: Manually rotate up or down in order to stabilise the chair before use (Fig. 3.2).

Rotate the leg levelers to raise or lower the chair

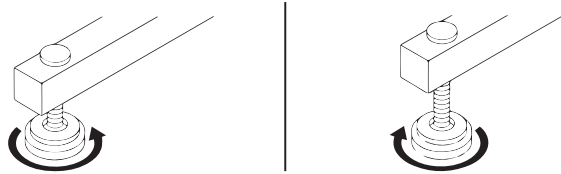


Figure 3.2 Leg Levelers

Scissor Mechanisms: Extend or retract to take the chair through the various stages of recline (Fig. 3.3).



WARNING! Pinch/Crush Points Hazard! Be aware that the lift mechanism and scissor mechanisms are a pinch point on the lift chair. Keep the following items and similar objects clear of these points when operating the lift chair:

- Appendages
- Small children
- Pets
- Wires
- Oxygen tubes
- Loose items, including but not limited to clothing and blankets
- Electrical power leads

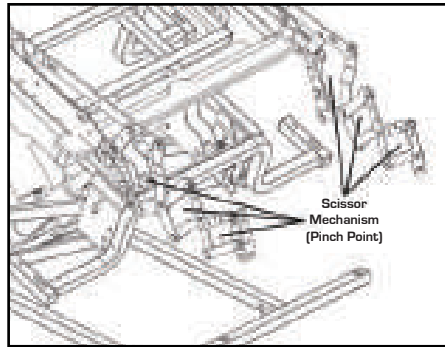


Figure 3.3 Scissor Mechanism

ELECTRICAL COMPONENTS

Your Aspire Lift Chair is equipped with a low voltage DC motor system that reduces the standard household alternating current of 90V AC - 264V AC to direct current (24/39V DC). The electrical components include the external transformer, batteries and hand control. Keep these areas free from moisture at all times.



WARNING

WARNING! Keep all electrical components free from moisture at all times to prevent shock and/or electrical hazard.

External Transformer: Connects to a standard electrical outlet to provide power to the lift chair. The transformer may be equipped with an LED indicator, which shows green when power to the transformer is on.

The external transformer may also come equipped with mounting brackets that allow the transformer to be mounted to the wall directly under the standard electrical outlet. The screws must be mounted to the wall stud for security. Refer to "Appendix B" for a mounting diagram.

NOTE: Aidacare is not responsible for damage due to improper installation.

Batteries: Provide the power needed to return the lift chair to an upright or semi-upright position in the event of a power failure.

Batteries are not included in single motor models and must be provided by the customer. Batteries are included in all other models. Batteries must be installed into the external transformer. See IV. "Assembly/Disassembly".

NOTE:

SINGLE motor systems: The batteries will provide power for only a short period of time after power is removed from the system, so it is important to act quickly in the event of a power failure. Engage and hold the up/down switch in the UP position as soon as possible. Maintain a steady pressure on the switch to avoid excessive draw from the battery and achieve the most amount of lift.

Other systems: The battery pack will supply power to the chair for up to 48 hours in case of power failure.

Keep in mind that the amount of lift the batteries will be able to provide is affected by user weight and battery condition.

4. ASSEMBLY/DISASSEMBLY

Your lift chair may require some assembly before initial use. It may also require disassembly to make servicing the chair more convenient. If your lift chair is a Knock-Down (KD) model, follow the instructions in "Lift Chair Set-up." If your lift chair is not a KD model, proceed to "Lift Chair Placement."

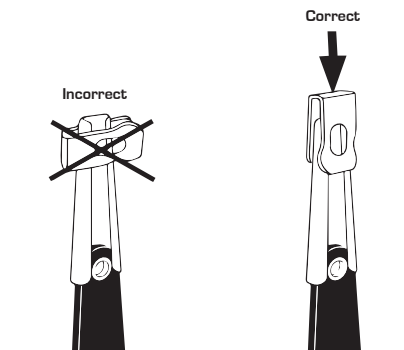
LIFT CHAIR SET-UP

KD models will arrive in the knock-down position (**Fig. 4.1**).

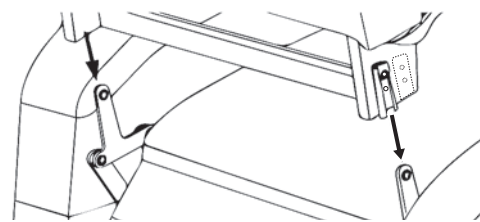


Figure 4.1 Knock-Down (KD) Position

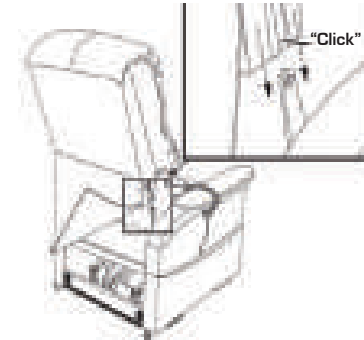
Follow these steps to assemble the lift chair:



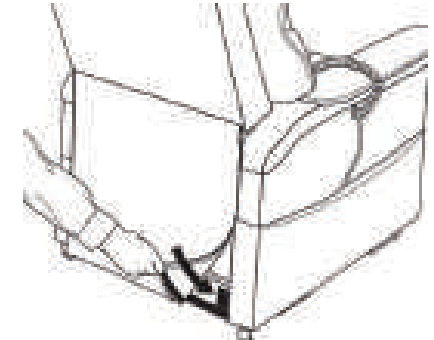
4.1.1 Remove the packaging from the back portion of the chair and check that the locking clip is in the vertical position. Reposition if necessary.



4.1.2 Slide the left and right KD sleeves of the chair-back onto the KD connections on the arms and seat of the chair.



4.1.3 Push firmly on the top of the chair-back to lock into position. Listen for a click on each side to ensure the chair-back is locked in properly.

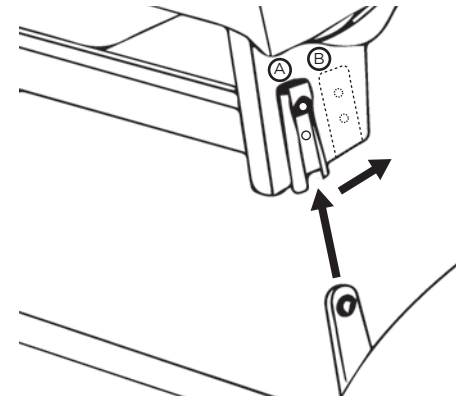


4.1.4 Attach the chair-back to the hook and loop flaps on the bottom of the chair base.

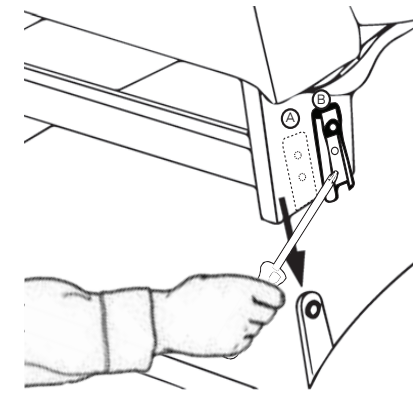
NOTE: Pull up on the chair-back to ensure that it is locked in place. If the back can be pulled off, then repeat steps 4.1.1 through 4.1.3.

Figure 4.1.5 & 4.1.6 Seat Depth Adjustment

Additional seat depth of 25mm can be achieved by adjusting the KD Sleeve from position A to B.



4.1.5 Sleeve position B is a recessed fixing point that is not visible through the covering fabric but can be located by feel. Unscrew and remove KD Sleeve from position A.



4.1.6 Locate KD Sleeve position B and make small (10mm) incisions through fabric directly above the two screw holes with a Stanley knife to facilitate screw insertion. Insert KD sleeve into recess, fasten firmly with screws. Repeat for left and right side of chair back. Follow steps to assemble the lift chair.

LIFT CHAIR PLACEMENT

Your lift chair should be placed near a standard electrical outlet on dry, level ground where there is ample room to allow for proper operation. It is recommended that you have the assistance of an attendant when positioning the lift chair to avoid the possibility of injury when lifting.

Follow these steps to position the lift chair in a safe manner:

1. The back of the lift chair should be positioned with sufficient clearance to avoid any obstructions, particularly behind the chair after reclining. Suggested clearances by model are:
Space Saver (single motor) - 160mm
Dual Action (dual motor) - 480mm
2. Adjust the leg levelers to stabilise the lift chair (Fig. 3.2).
3. Install the batteries into the external transformer. Refer to “Battery Installation” for more information.
4. Position the external transformer on the floor in an open, well-ventilated area where it will not be an obstruction
5. Position the low voltage connection cable (cable from transformer to chair), where it will not be pinched between the frame and the lift mechanism
6. Connect the low voltage connection cable to the external transformer if it is not already connected
7. Plug the power lead directly into the electrical outlet. Do not use an extension lead!

NOTE: If you discover a problem at any point during the set-up and positioning of your lift chair, stop and contact your authorised Aspire Dealer immediately. To avoid personal injury and/or product damage, do not plug the unit into the electrical outlet until the problem is corrected and do not attempt to fix electrical problems by yourself.

BATTERY INSTALLATION

Space Saver Signature Chairs

Your lift chair may be equipped with a battery backup system that will activate during a power failure. The backup system is powered by two 9V Lithium-Ion batteries (not included) that need to be installed into the external transformer.

Follow these steps to install the batteries:

1. Unplug the external transformer power lead from the electrical outlet (lead from transformer to wall).
2. Open the marked battery door on the external transformer
3. Install two 9V Lithium-Ion batteries into the external transformer (Fig. 4.2)
4. Replace the battery door

NOTE: Always make sure the external transformer is equipped with two fresh 9V Lithium-Ion batteries. The battery backup system does not recharge itself. Fresh batteries are defined as 9V Lithium-Ion batteries that are replaced every time the battery backup system is activated during a power failure, or once a year if the battery backup system has not been activated.

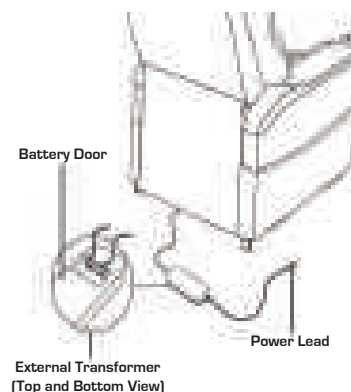


Figure 4.2 Lift Chair Battery Backup Location

NOTE: If you unplug your lift chair for an extended period of time (more than one hour), remove the batteries from the external transformer. The lift chair will draw power from the batteries even when it is not in use.

IDEA: Check 9V Lithium-Ion battery every year when you check your smoke alarm!

Dual Action Signature Chairs

If your chair is equipped with an external transformer with a lithium-ion battery pack, your chair may be operated without being plugged into an electrical outlet for up to 48 hours.

Follow these steps to replace the lithium-ion battery pack batteries:

1. Unplug the external transformer power cord from the electrical outlet.
2. Position the external transformer so that the lithium-ion battery is facing upward.
(Figure 4.3.1)
3. Gently bump with your hand the end of the lithium-ion battery pack to dislodge it from the external transformer.
4. Slide the lithium-ion battery until it stops and then lift the lithium-ion battery off of the external transformer.
5. Place the new lithium-ion battery on top of the external transformer with the securement grooves toward the external transformer.
(Figure 4.3.2)
6. Slide the new lithium-ion battery onto the external transformer until it clicks into place.

NOTE: Remove the lithium-ion battery from the battery pack when your chair isn't being used for an extended period of time. The chair will draw power from the battery even when it is not in use.

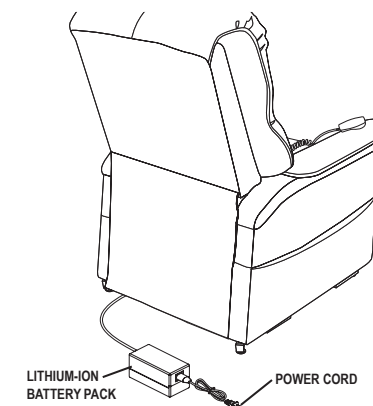


Figure 4.3.1 Lift Chair Battery Back Up Location

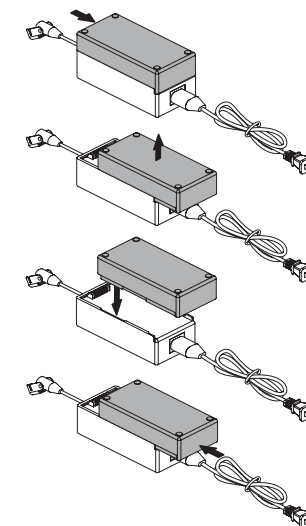


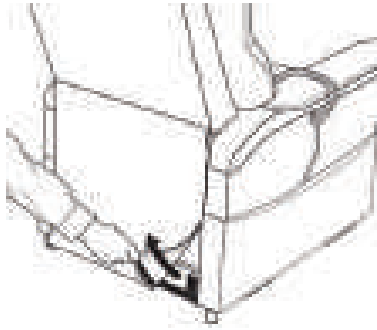
Figure 4.3.2 Lithium-ion Battery Replacement

5. OPERATION

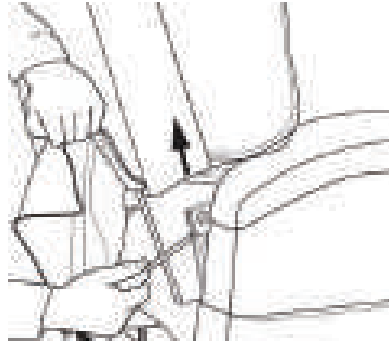
LIFT CHAIR DISASSEMBLY

The back rest of Signature Lift Chairs can be removed to make service and transport of the chair more convenient.

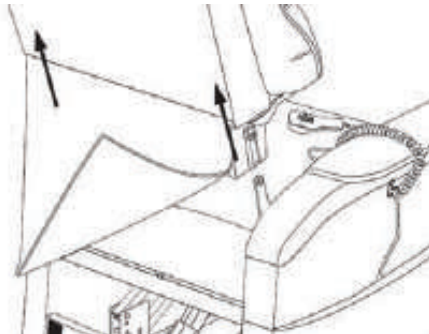
Follow these steps to disassemble the lift chair:



4.4.1 Remove the bottom of the back fabric from the hook and loop flaps on the chair base.



4.4.2 Using a large flat-head screwdriver, lift the left and right locking clips on the chair-back one side at a time to raise the back from the connections on the chair base. As you lift each locking clip, pull up on the chair-back to lift that side over the lock.



4.4.3 Lift the chair-back up and away from the chair base.

SAFE OPERATING PRECAUTIONS

There are certain precautions that should be taken during the operation of your lift chair. Read and follow these precautions carefully in order to ensure safe lift chair operation and to prevent injury and/or product damage.

- Plug the power lead directly into the electrical outlet. **Do not use an extension lead!**
- Do not place anything (e.g. a drinking glass) on top of or near the external transformer
- If the external transformer box or hand control requires cleaning, unplug the power lead from the electrical outlet and use a clean, dry cloth or lightly dampened cloth. Dry completely before plugging the power lead back into the electrical outlet
- Periodically check the hand control and all power leads for visible damage.
- Keep the hand control away from all heated surfaces
- Ensure the hand control is out of the way before sitting in the chair
- Keep children and pets away from all moving parts while operating the lift chair
- Do not allow children to play on or operate the lift chair. Only the intended user should operate the lift chair
- Avoid pinch points, such as the lift and scissor mechanisms. Keep hands and feet clear of these areas
- Always leave the lift chair in an upright and closed position when not in use
- Do not sit or stand on the footrest
- Do not "drop" into the lift chair when sitting if it is in a partially raised position, this will damage the seating and void warranty



PROHIBITED! Do not place objects under the lift chair. Make sure area is clear of obstructions, including pets and small children during operation.

WARNING! Prevent the risk of electrical shock, fire, falls and/or being pinched. Follow all instructions and precautions provided.



WARNING! Prevent potential equipment damage! Do not place the external transformer under the lift chair.

WARNING! Do not cover the external transformer. Keep the transformer in an open, well-ventilated area free from foreign material/debris to ensure proper operation.

HAND CONTROL OPERATION

Depending on lift chair model, the hand control may be equipped with switches that control the movement of the chair-back, chair base and footrest (**Fig. 5.1, 5.2 and 5.3**).

WARNING! Do not lean on or apply downward force to the chair-back when the lift chair is in the fully reclined position. Doing so could cause the lift chair to tip, resulting in personal injury and/or product damage.



WARNING! Do not use the footrest as a seat, or for purposes outside its intended use. Doing so could cause instability in the lift chair and place undue stress on lift chair components, resulting in personal injury and/or product damage.

WARNING! Be sure to lock or disconnect the hand control when the lift chair is not in use.

SPACE SAVER HAND CONTROL OPERATION

Follow these steps to sit in your lift chair (Fig. 5.1):

1. Engage and hold the up/down switch in the UP position to raise your lift chair to the standing position
2. Back into the lift chair and sit in the centre of the seat, using the armrests for support if needed
3. Engage and hold the up/down switch in the DOWN position to lower the lift chair to a comfortable seated position

Follow these steps to recline your lift chair from the seated position (Fig. 5.1):

1. Engage and hold the up/down switch in the DOWN position until comfortably reclined
2. Engage and hold the up/down switch in the UP position to return to an upright, seated position. Release the switch when the lift chair reaches a comfortable seated position

Follow these steps to stand up from your lift chair (Fig. 5.1):

1. Engage and hold the up/down switch in the UP position to raise your lift chair
2. Release the switch when the lift chair reaches a height where you can stand up comfortably

NOTE: The hand control on your lift chair may be equipped with an LED that indicates power to the hand control. If this LED is present and not lit when the hand control is in use, contact your authorised A Dealer.

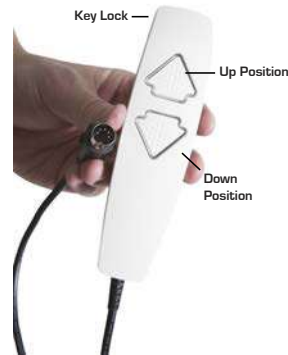


Figure 5.1 Space Saver Hand Control

Follow these steps to raise or lower the footrest while in the seated or reclined position (Fig. 5.2):

1. Engage and hold the footrest switch in the UP position until footrest reaches a comfortable height
2. Engage and hold the footrest switch in the DOWN position to lower the footrest

Follow these steps to stand up from your lift chair from the seated position (Fig. 5.2):

1. Ensure the chair back is UP and footrest is DOWN by engaging the chair back UP and footrest DOWN position
2. Engage and hold the up/down switch in the UP position to raise your lift chair to the standing position.
3. With your feet firmly on the ground stand slowly out of the lift chair, using the armrests for support if needed

DUAL ACTION HAND CONTROL OPERATION

Follow these steps to sit in your lift chair (Fig 5.2):

1. Ensure the chair back is UP and footrest is DOWN engaging the Chair Back UP and Footrest DOWN positions
2. Engage and hold the up/down switch in the UP position to raise your lift chair to the standing position
3. Back into the lift chair and sit in the centre of the seat, using the armrests for support if needed
4. Engage and hold the up/down switch in the DOWN position to lower your lift chair to a comfortable seated position

Follow these steps to recline your lift chair from the seated position (Fig. 5.2):

1. Engage and hold the Chair Back switch in the DOWN position until comfortably reclined. Engage and hold in UP position to raise chair back up
2. Engage and hold the Footrest switch in the UP position until a comfortable leg position is reached. Engage and hold in DOWN position to lower footrest back down

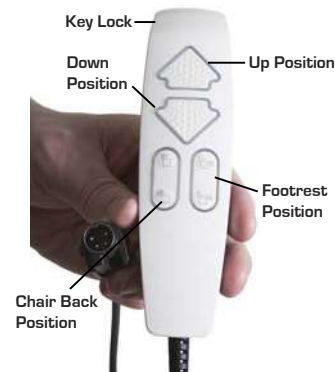


Figure 5.2 Dual Action Hand Control

6. TROUBLESHOOTING

Your Signature Lift Chair is a state-of-the-art product designed to enhance your mobility. Your lift chair should bring you years of trouble-free service, however, it may require occasional troubleshooting. The following troubleshooting tips and FAQs should summarise what you need to know about your lift chair. If at any time you do not feel comfortable performing the troubleshooting steps listed in this manual, contact your authorised Aspire Dealer for service. Please have the model number, serial number and nature of the problem when calling.

FREQUENTLY ASKED QUESTIONS

What if my lift chair does not operate at all?

- Ensure the external transformer is plugged into a properly wired electrical outlet
- Check the circuit breaker box connected to the electrical outlet to ensure the outlet is receiving power
- Ensure the low voltage connection cable is plugged into the external transformer
- Ensure that all cables are connected properly
- Check all cables for signs of damage (cuts, flattened areas)

What if my lift chair operates in one direction only?

- Check the up and down buttons or toggle switch on the hand control to make sure they do not stick. If the buttons or switch are sticking in either position, the hand control may need to be replaced
- Contact your authorised Aspire Dealer for further assistance

What if my lift chair stops during a lifting cycle?

- Your lift chair is equipped with an internal thermal shutoff switch located inside the external transformer that prevents the motor control box from overheating. If the thermal shutoff activates, allow the lift chair to remain in a stationary position for 10 minutes to allow the motor to cool, then resume normal operation. If you notice the motors overheating frequently, contact your authorised Aspire Dealer
- There may have been a power failure and/or there are no batteries in the external transformer or the batteries have no charge. Always make sure there are fresh 9V Lithium-Ion batteries in the external transformer if equipped with battery backup
- Check the circuit breaker box connected to the electrical outlet

What if my lift chair is rocking from corner to corner after I position the chair?

- The floor may be uneven or the carpet may be affecting chair position. Adjust the leg levelers in the area where the chair is rocking. See III. "Your Lift Chair" for instructions on leveling your chair

Where can I place the external transformer box?

- On the floor away from heat sources in an open, well-ventilated area where it will not be an obstruction

Where do I find the serial number on my lift chair?

- You can find the serial number in two locations—one is near the rear of the motor on the steel lift mechanism, and the second is attached to the frame below the scissor mechanisms. The model number for your lift chair is printed below the serial number bar code

Who do I call for service?

- Contact your authorised Aspire Dealer for service

7. CARE AND MAINTENANCE

Your Signature Lift Chair will require routine maintenance checks. You can perform some of these checks, but others may require assistance from an authorised Aspire Dealer. By following the maintenance checks in this section as scheduled, you can help ensure your lift chair gives you years of trouble-free operation. If you have any questions regarding your lift chair's care, contact your authorised Aspire Dealer.

FABRIC CARE

- Inspect the fabric on a regular basis for any pulls, tears or gaps
- Fabric care instructions can be found on the tag under the headrest cushion.
- VINYL: wipe with a damp cloth

WARNING! Fabric should not be allowed to come in direct contact with any type of heat source (e.g., a space heater or cigarette). Personal injury or fire damage may occur.



WARNING

WARNING! It is strongly recommended that you do not smoke cigarettes while seated in or using your lift chair, although the lift chair has passed the necessary testing requirements for cigarette smoking. You must adhere to the following safety guidelines if you decide to smoke cigarettes while seated in or using your lift chair.

- Do not leave lit cigarettes unattended
- Keep ashtrays a safe distance from the lift chair
- Always make sure cigarettes are completely extinguished before disposal

NOTE: Do not use solvent-type cleaners to spot clean. Do not saturate the fabric. Prevent damage to the fabric; do not expose the lift chair to direct sunlight.

ELECTRONICS CARE

- Inspect all wiring harnesses to make sure they are not damaged or frayed
- If damage is present, unplug the lift chair and contact your authorised Aspire Dealer for service
- Keep all electronics free from moisture and temperature extremes. **Signature Lift Chairs are intended for indoor use only!**



WARNING

WARNING! Even though the lift chair has passed the necessary testing requirements for ingress of liquids, you should keep electrical connections away from sources of dampness, including direct exposure to water or bodily fluids and incontinence. Check electrical components frequently for signs of corrosion and replace as necessary.

WARNING! Plastic bags are a suffocation hazard. Dispose of plastic bags properly and do not allow children to play with them.

8. WARRANTY

TWO-YEAR LIMITED WARRANTY

For two (2) years from the date of purchase, Aidacare will repair or replace at our option to the original purchaser any of the following parts found upon examination by an authorised representative of Aidacare to be defective in material and/or workmanship:

- Steel Frame
- Motor
- Hand Control
- Scissor Mechanisms
- Steel Lift Mechanism

NOTE: Aidacare reserves the right to replace only the part of the steel lift mechanism that may be defective. Aidacare provides parts only under warranty. Your Aspire Dealer is responsible for labour and service. Please contact your Aspire Dealer for information about these services and for any applicable charges.

TWO-YEAR FABRIC WARRANTY

Aidacare guarantees to replace any fabric that is found to be faulty as a result of manufacturing defect and which has been used in accordance with our manufacturer performance ratings and care instructions.

An evaluation of fabric related issues must be conducted before confirmation of warranty coverage can be verified.

Warranty Duration:
- Frame: 2 Years
- Electronics: 2 Years
- Handsets and Cable: 2 Years
- Mechanisms: 2 Years
- Fabric: 2 Years

CONSUMER WARRANTY AGAINST DEFECTS:

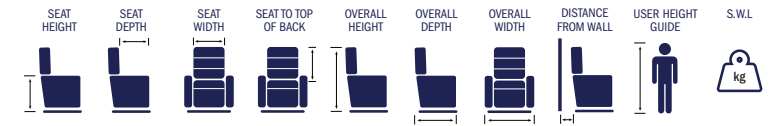
Aidacare is bound by Australian Consumer Law in respect to Warranty Against Defects. A copy of the Aidacare Warranty Against Defects statement is available on the Aidacare homepage at www.aidacare.com.au. All warranty matters should be directed to Aidacare Customer Service on 1300 133 120.

Aidacare does not warrant against excessive or incorrect use, modification or any situation that could not be deemed as fair wear and tear. This is a back to base warranty and does not cover freight costs pertaining to the return of any items under warranty. Aidacare acknowledges and conforms to all ACCC guidelines around consumer rights. For further information contact Aidacare on; 1300 133 120 or email product@aidacare.com.au.

Aidacare will not warrant the safety and or correct functioning of products where any original components have been changed or modified by non-Aidacare approved and trained service & maintenance staff or external providers. Furthermore, safety is not guaranteed where components have been replaced with non-original Aidacare approved parts. If any faults are detected upon receipt of this product please phone Aidacare. Any faults that are detected during normal use should be reported to Aidacare immediately to determine if warranty conditions apply and if so, the necessary repair or replacement work to be completed.

Spare parts list is available upon request.

SPECIFICATIONS



Space Saver

Model	SEAT HEIGHT	SEAT DEPTH	SEAT WIDTH	SEAT TO TOP OF BACK	OVERALL HEIGHT	OVERALL DEPTH	OVERALL WIDTH	DISTANCE FROM WALL	USER HEIGHT GUIDE	S.W.L
CHP197700 Small – Mink	470mm	450 - 475mm	450mm	590mm	1010mm	690mm	780mm	140mm	5'2" and under	145kg
CHP197705 Small – Lagoon										
CHP197710 Medium – Mink										
CHP197715 Medium – Lagoon	480mm	490 - 515mm	480mm	620mm	1050mm	715mm	780mm	150mm	5'3" to 5'8"	145kg
CHP197716 Medium – Heritage										
CHP197720 Large – Mink										
CHP197725 Large – Lagoon	510mm	510 - 535mm	500mm	670mm	1110mm	740mm	780mm	160mm	5'9" to 6'2"	145kg
CHP197730 Large – Heritage										

Dual Action

Model	SEAT HEIGHT	SEAT DEPTH	SEAT WIDTH	SEAT TO TOP OF BACK	OVERALL HEIGHT	OVERALL DEPTH	OVERALL WIDTH	DISTANCE FROM WALL	USER HEIGHT GUIDE	S.W.L
CHP197735 Small – Mink	470mm	450 - 475mm	450mm	590mm	1010mm	710mm	780mm	430mm	5'2" and under	155kg
CHP197740 Small – Lagoon										
CHP197745 Medium – Mink										
CHP197750 Medium – Lagoon	480mm	490 - 515mm	480mm	620mm	1050mm	735mm	780mm	455mm	5'3" to 5'8"	155kg
CHP197751 Medium – Heritage										
CHP197755 Large – Mink										
CHP197760 Large – Lagoon	510mm	510 - 535mm	500mm	670mm	1110mm	760mm	780mm	480mm	5'9" to 6'2"	155kg
CHP197765 Large – Heritage										

SERVICE LOG BOOK

YEAR 1 Date: _____

Service Type: _____
Condition Report: _____

Action taken: _____
Inspected By: _____

Signature: _____

YEAR 2 Date: _____

Service Type: _____
Condition Report: _____

Action taken: _____
Inspected By: _____

Signature: _____

YEAR 3 Date: _____

Service Type: _____
Condition Report: _____

Action taken: _____
Inspected By: _____

Signature: _____

YEAR 4 Date: _____

Service Type: _____
Condition Report: _____

Action taken: _____
Inspected By: _____

Signature: _____

YEAR 5 Date: _____

Service Type: _____
Condition Report: _____

Action taken: _____
Inspected By: _____

Signature: _____

YEAR 6 Date: _____

Service Type: _____
Condition Report: _____

Action taken: _____
Inspected By: _____

Signature: _____

YEAR 7 Date: _____

Service Type: _____
Condition Report: _____

Action taken: _____
Inspected By: _____

Signature: _____

YEAR 8 Date: _____

Service Type: _____
Condition Report: _____

Action taken: _____
Inspected By: _____

Signature: _____

YEAR 9 Date: _____

Service Type: _____
Condition Report: _____

Action taken: _____
Inspected By: _____

Signature: _____

YEAR 10 Date: _____

Service Type: _____
Condition Report: _____

Action taken: _____
Inspected By: _____

Signature: _____



MANUFACTURED AND IMPORTED BY:

AIDACARE PTY LTD.

Building 3A, 1 Moorebank Avenue,

Moorebank NSW Australia 2170

1300 133 120 | www.aspirecare.com.au

Made in PRC