



SHELTER ASSEMBLY MANUAL

SPECIFICATION

Width:12m Length: 12m Height: 4.5m

IMPORTANT-----READ MANUAL FIRST

Improper site preparation, Assembly and Maintenance may invalidate warranty and cause unnecessary and costly mistake. If you have any questions contact your local dealer.

For User Friendly assembly we have identified each individual component with the part code as indicated in the parts list. Please refer to the part code numbers and drawing to ensure problem free assembly.

It's necessary to tighten the roof fabric enough to avoid "hammocks" on the roof and also re-tighten once or twice again after a few months of use. This is important when assembly in cold weather (autumn and winter) because the fabric is stiff then and when we got the sun and warm weather afterwards it will make the fabric "slack" again and need to be re-tighten before next winter.

It's the owners responsibility to take of snow immediately if not slide off by itself.

READ ALL INSTRUCTIONS BEFORE ASSEMBLY

1. Keep work area clean. Cluttered areas invite injuries. Do not set up near snow drifts, in slippery places, in high winds, or wet location.
2. Keep children away. All children should be kept away from the work area.
3. Don't over reach. Keep proper footing and balance at all times.
4. Do not assemble in under the influence of alcohol or drugs. Read warning labels on prescriptions to determine if your judgment or reflexes are impaired while taking drugs. If there is any doubt, do not assemble.
5. Be aware of possible windy conditions; fasten the bases in concrete if these conditions are likely to occur. Remove the cover during hurricane.
6. Be careful with power and heat sources. Do not keep heat sources near the tarpaulin. Do not expose to open flame.
7. Be aware of personal safety during assembly and use. Be careful not to pinch fingers with clips and tubes when assembling: when using makes sure there is adequate ventilation for exhaust and other dangerous fumes.

Parts List

C404015--2M Arch Spacing		
Part Code	Description	Qty
L1	Left Base Plate	7
R1	Right Base Plate	7
1	Roof Bent Tube	7
2	Upside Bent Tube	14
3	Underside Bent Tube	14
4	Lower Bent Tube	14
5	Purlin	42
6	Inclined Support Tube	16
7	Clip for Inclined Support Tube	32
8	Carriage Bolts Carriage M12x110	49
9	Bolts Ratchet Nylon Band M10x90	112
10	for Ratchet Angle Seats	14
11	Roof Cover Knitting Rope	14
12	for Cover Plastic Plug	4
13	Tensioning Tube Angle	1
14	Iron for Base Plate	1
15		4
16		12/2 Groups
17		14
18		42
19	Bolts M12x40	20
19A	PPR Tube	28
	Small Ratchet with Band for Tension Front Cover	

⚠ WARNING

SAFETY TIPS

Always wear proper safety equipment such as safety glasses and gloves

EQUIPMENT AND TOOLS FOR INSTALLATION

1. Measuring tape
2. String for alignment
3. Step ladder
4. Welder
5. Sledge hammer
6. Wrench
7. Scissors

INSTALLATION PROCESS

A—BASE INSTALLATION

Please refer to the diagram (Figure 1) to place the base plates.

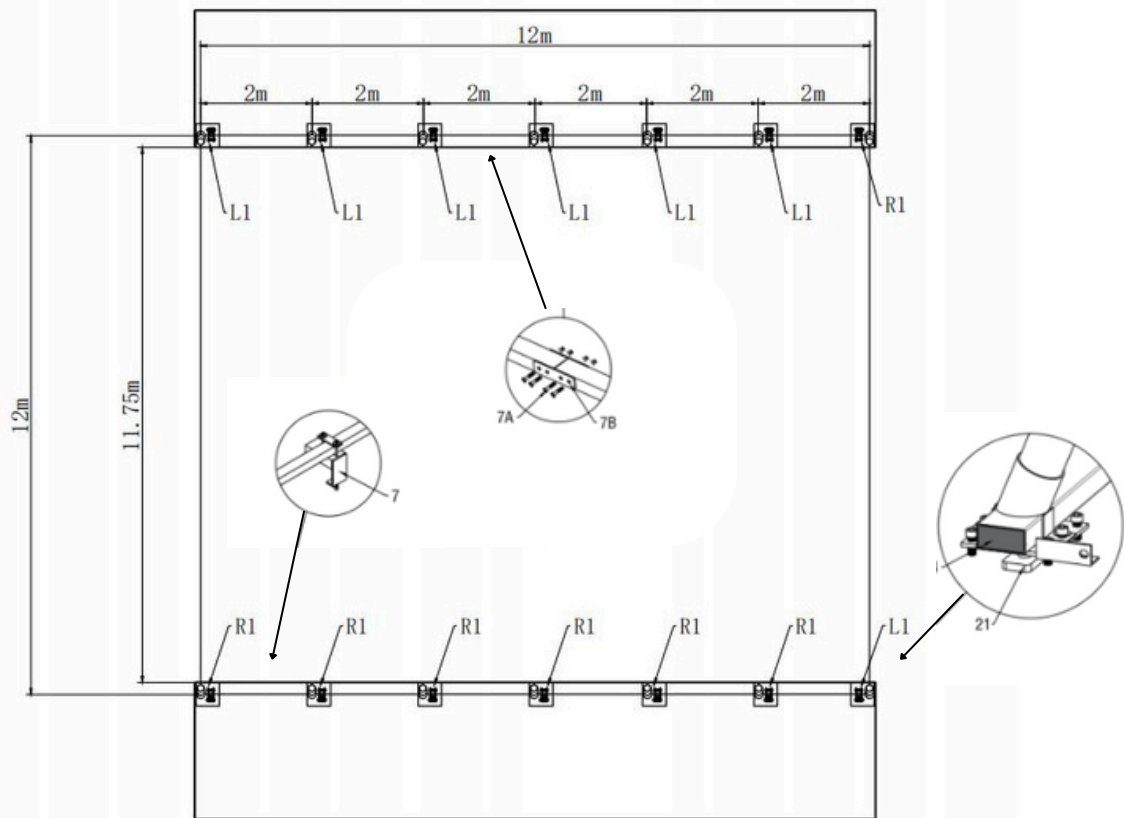


Figure 1

1. The measurement is from center to center of the tubes. Referring to the above diagram and confirm the place of the base plates. ENSURE THAT THE FOUNDATIONS IS SQUARE.
2. All the base plates should be fixed to the containers.

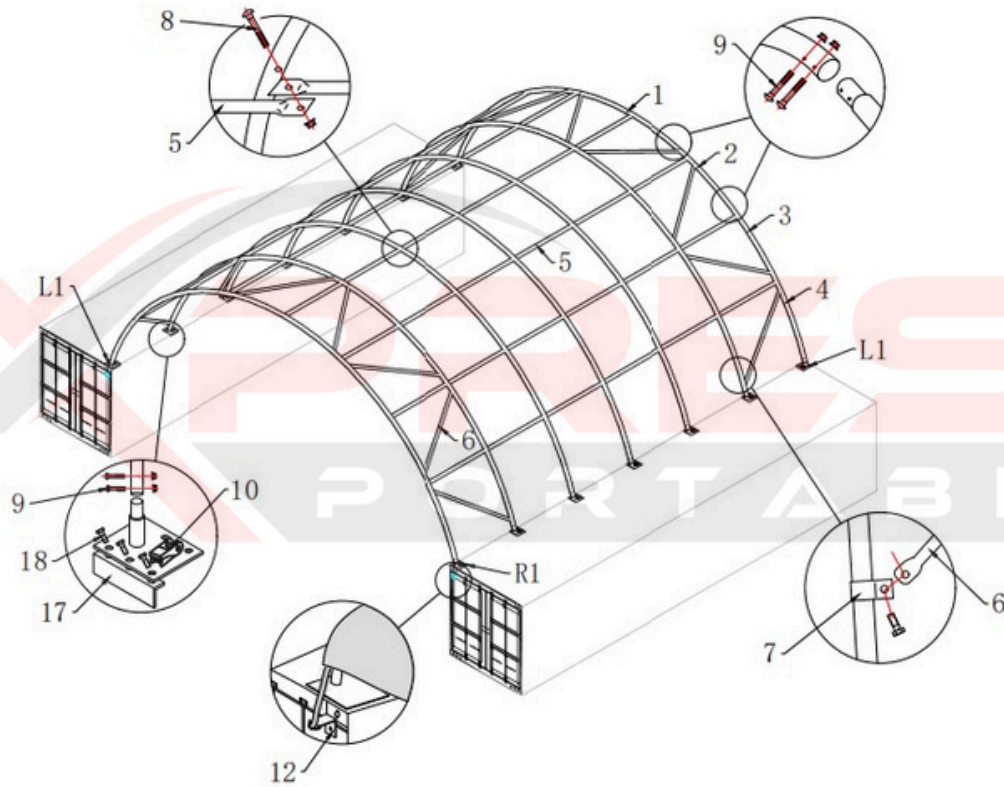


Figure 2 Sketch Frame

B—FRAME INSTALLATION

1. As Figure 3 shown, find Roof Bent Tube (No. 1), Upside Bent Tube (No.2), Underside Bent Tube (No.3) and Lower Bent Tube (No.4). To connect them by Carriage Bolts (No.9.), which makes one group of arch. Please NOTE the direction of the bolt. DO NOT install the bolts on the top of the truss where the fabric will rest.

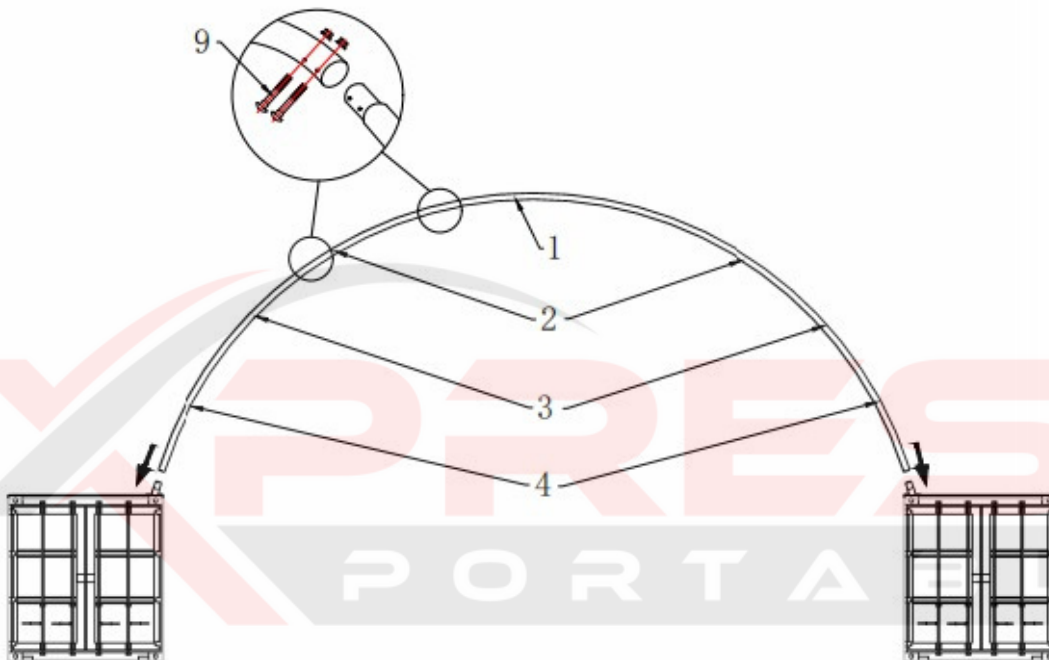


Figure 3

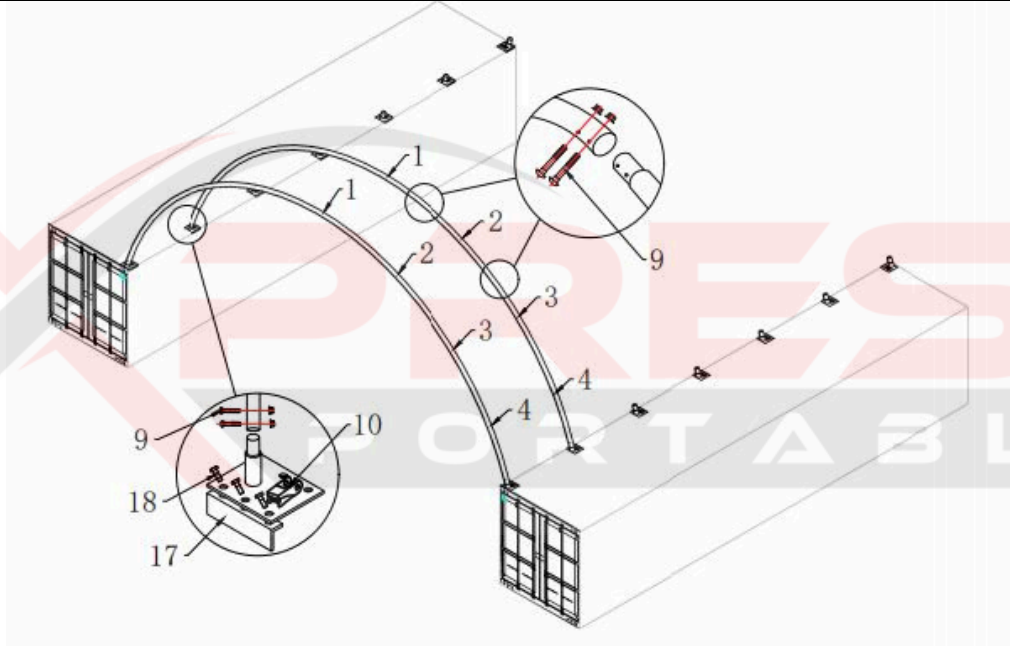


Figure 4

2. To insert one end of the assembled arch into one base plate and force the other end of the arch into the opposite base plate.

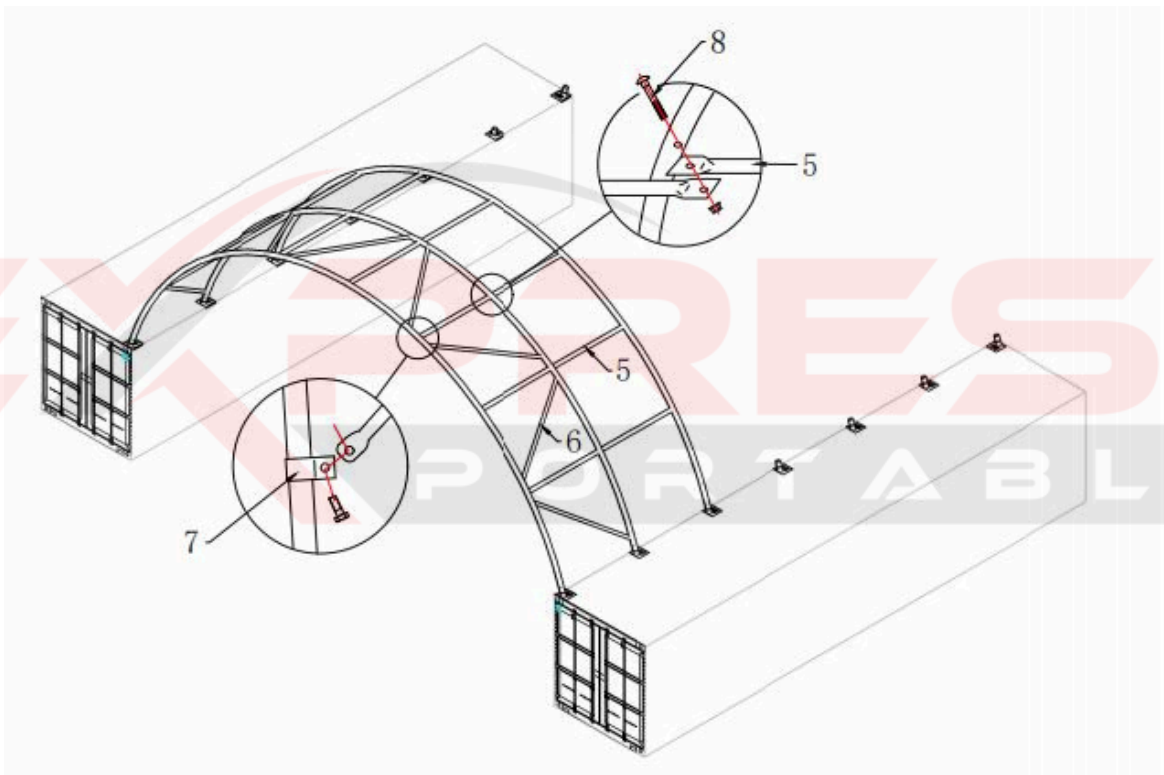


Figure 5

3. After installing the first two arches, connect the Connection Purlins onto them by using Carriage Bolt (No.8). There are 7 pieces of Connection Purlins (No.5) between each arch. Then install the rest of arches into base plate and connect the purlins. Finally install the Inclined Support tube (No.6) by using bolt and Clip (No.7). Assemble the Frame by turns like this.

C—ROOF COVER INSTALLATION

NOTE: DO NOT install the cover onto the frame of your building in high wind conditions. A slight breeze is the most advantageous for cover installation. To take advantage of the breeze, pull the cover up over the arches with breeze blowing in the cover like a sail filled with air. 1. Assemble Tensioning Tube for Roof Cover (No.16) before installing the cover. 2. To put the Roof Cover (No. 13) EVENLY, CAREFULLY AND SLOWLY on the frame. Adjust the cover so that it is square and evenly centered on the frame.

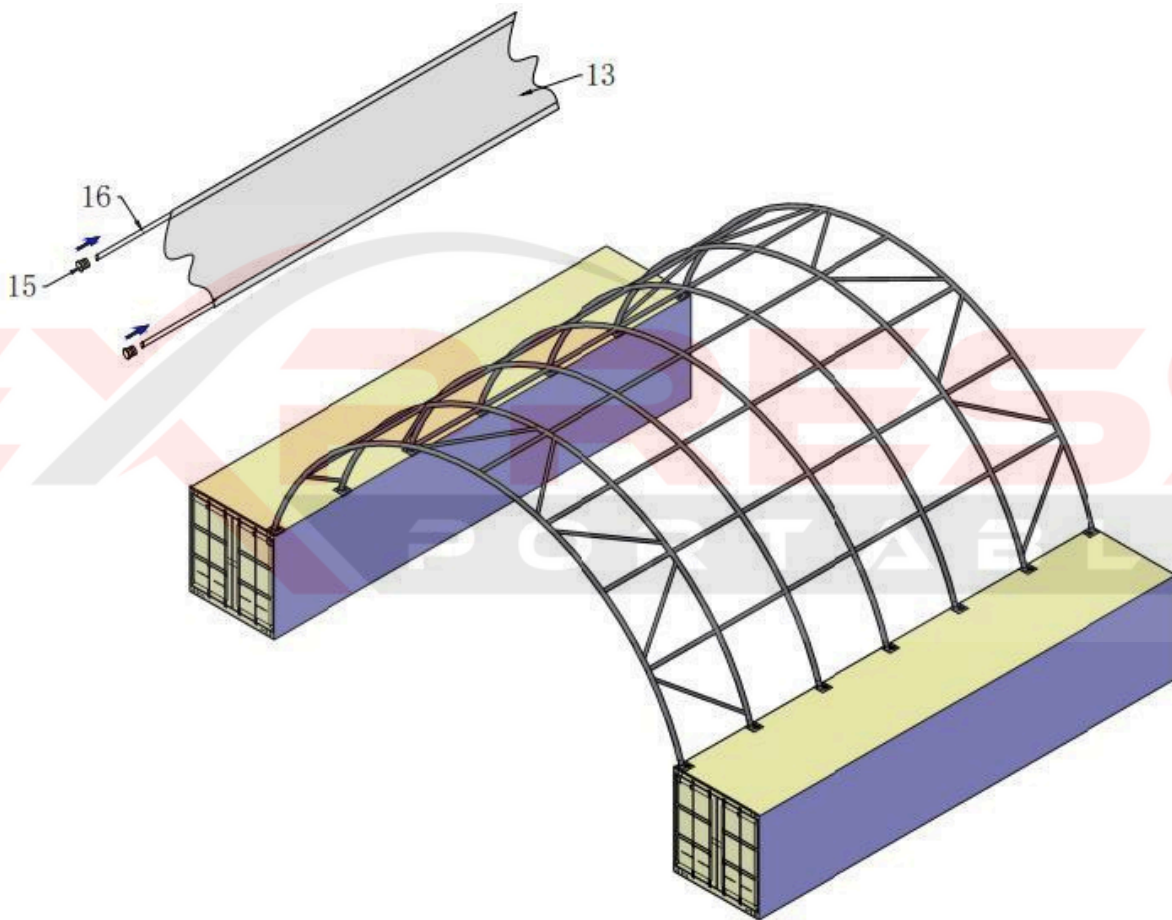


Figure 6

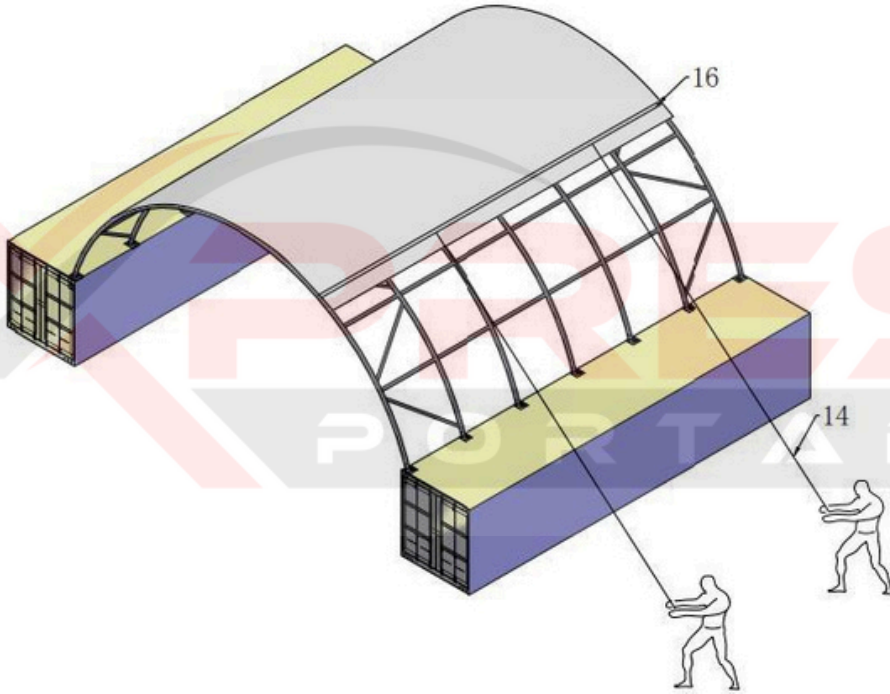


Figure 7

4. When roof cover is over top of frame assembly, insert the PPR Tube (No. 19) into pockets along both sides of roof cover, find the small ratchet (No. 19A) to connect on PPR tube in roof cover by parts.

5. Cutting pockets over each ratchet on the base plates and using the Nylon Band (No.11) to tie down the Lower Tensioning Tubes (No. 16) as Figure 8 shown. Finally install the Plastic Plug (No. 15) into two end of the Lower Tensioning Tube.

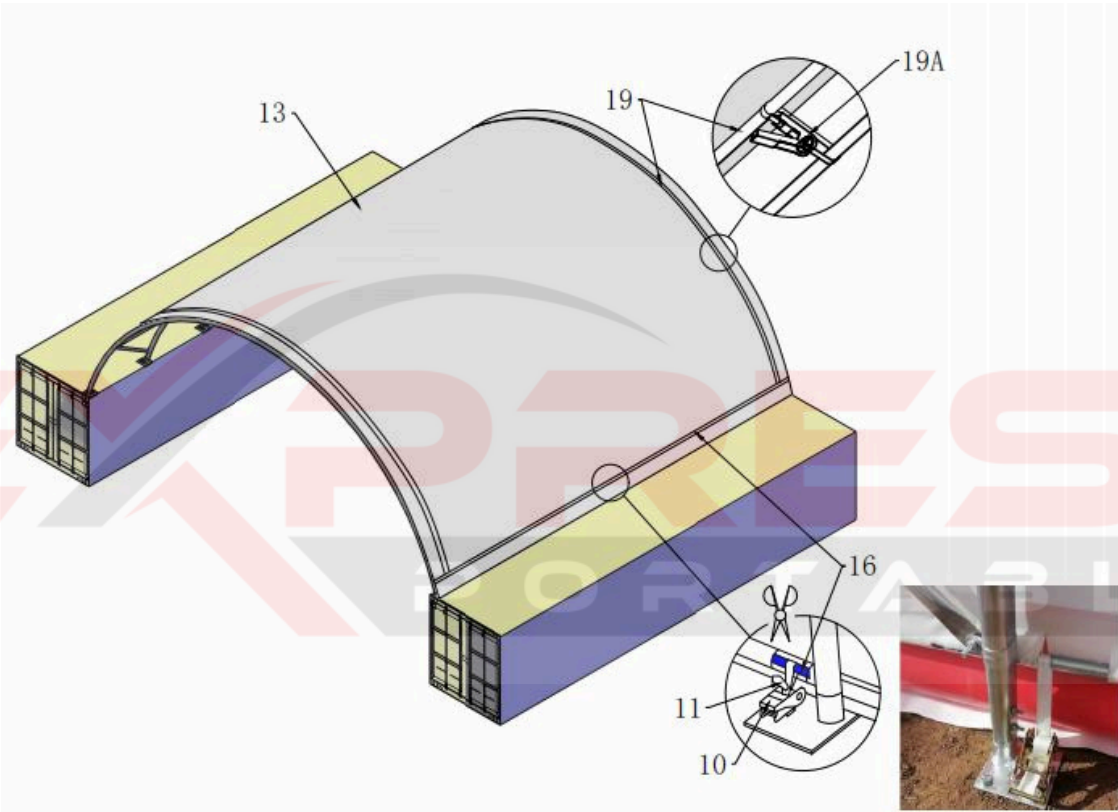


Figure 8
8

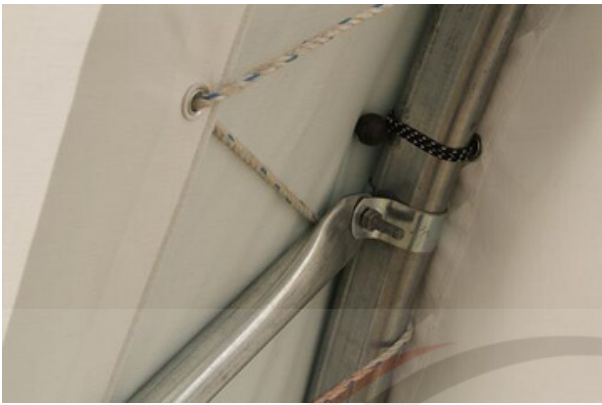
Please check the below installation detailed pictures:



(A)



(B)



(C)



(D)

NOTE: DO NOT LEAVE THE ROOF COVER UNATTACHED UNDER ANY CIRCUMSTANCES until the final assembly and tightening has been completed.

The process is quite easy. But some tightening adjustments will be necessary to produce a flat, tensioned roof cover. Please adjust the roof cover every month.

Please Note:



Please use the tape wrapped around the gap between the steel skeleton after installing.

NOTE:

1. Cloth tape for wrapping the gaps on the frame after frame installation.
2. Please adjust the roof cover every month. It's necessary to make the cover flat and well tensioned.

Confirm that all the hardware and parts are present before attempting to assemble your storage unit.