

A171.8-UG-VR-D1-BF Series

BARRIER FREE, VANDAL RESISTANT,
WALL MOUNTED WATER COOLER WITH
VANDAL RESISTANT, PUSHBUTTON OR SENSOR
OPERATED BOTTLE FILLER

STANDARD FEATURES

Electric Water Cooler

- Child or Adult ADA Compliant (When Properly Installed)
- Apron and One-Piece Bottom Wrapper is Satin Finish
- 304 Stainless Steel Basin and Chrome Plated Brass Button
- Polished Stainless Steel, Anti-Rotation, Non-Squirt Bubbler
- Auto-Stop Allows Cartridge and Strainer Service Without Removing Cooler Deck To Access Water Supply Stop
- Lead-free
- Rough-Ins Match Other Manufacturer's for Easy Replacement

Bottle Filler

- Hands Free Sensor or Pushbutton Operated
- ADA Reach Compliant
- 100-Mesh Inlet Strainer
- 1 GPM Laminar Flow
- 115V Plug-In Transformer with -BF2S only

SUGGESTED SPECIFICATIONS

Electric Water Cooler

Model A171408S-UG-VR-D1 is a self-contained, pressure Water Cooler that delivers a minimum of 8.0 GPH (30.3 LPH) of water at 50°F (10°) cooled from 80°F (26.7°C) ambient. Unit shall be activated by Vandal Resistant Chrome Plated Brass Pushbutton using less than 5 pounds of force. Lead-Free Stainless Steel Bubbler shall deliver a 0.5 GPM flow, have an integrally designed Non-Squirt feature and operate on a water pressure range of 20-105 PSIG. Basin shall be constructed from 304 Stainless Steel and have an Integral Drain. Cabinet shall be Stainless Steel with Satin Finish. Cooling system shall use R-134a Refrigerant and be Capillary Tube regulated. An Adjustable Thermostat with an "off" position shall regulate the refrigeration system. Unit shall be listed by Underwriters Laboratories for both the US and Canada and is compliant to the Air Conditioning and Refrigeration Institute Standard 1010. Unit is certified to ANSI A117.1, Public Law 11-380 (NO-LEAD), CHSC 116875 and NSF/ANSI 61, Section 9. Fixture meets ADA, ADA Standing Person, and ADA Child requirements when mounted appropriately. Unit shall still deliver ambient water temperature to the Bubbler in the absence of electrical power as long as there is a pressurized water supply.

Bottle Filler BF1S

BF1S is a Pushbutton Operated Bottle Filler. Housing construction is heavy gauge Stainless Steel with a satin finish. Bottle Filler shall provide approximately 1 GPM flow rate with a Laminar Flow Spout to minimize splashing.

Bottle Filler BF2S

BF2S is a 9 volt Sensor Operated Bottle Filler. Housing construction is heavy gauge Stainless Steel with a satin finish. Optional -BCD (Bottle Counter Display) indicates the quantity of 16 oz disposable Plastic Bottles saved from a landfill and also displays the Water Filter status.



Model A171408S-UG-VR-D1-BF1S Shown
PATENT# 10,100,933

Maintenance Advantage[®]
Water Cooler by Murdock Manufacturing

"INDOOR OR OUTDOOR USE"

Model Number	GPH*	Rated Watts	Full Load Amps	Approx. Shipping Weight
A171408S-UG-VR-D1-BF	8.0	335	4.4	100 lbs.

* GPH of 50°F water at 90°F ambient room temperature and 80°F inlet water temperature
Compressor motor operates on 115 Volt / 60 Hz single phase.

MODEL:

(Must Specify)

STAINLESS STEEL BUBBLER

A171408S-UG-VR-D1 Satin Stainless Finish (Standard)

FLEXIBLE BUBBLER

A171408F-UG-VR-D1 Satin Stainless Finish

MUST SPECIFY BOTTLE FILLER:

- BF1S Bottle Filler with Pushbutton Operation
- BF2S Bottle Filler with Sensor Operation
- BF2S-BAT Bottle Filler with Battery Operated Sensor Operation
- BF2S-BCD Bottle Filler with Sensor Operation with Bottle Counter Display

OPTIONS:

(additional costs may apply)

- CSC5 Concealed Support Carrier
- DD Drop Down Door (with -Wf1 only)
- LOGO Customer Specified Logo / Graphics
- WF1 1500-Gallon Capacity, NSF 42+53, 1-Micron Lead Reduction Filter
- WF1 3000-Gallon Capacity, NSF 42+53, 1-Micron Lead Reduction Filter
- 220V 220 volt / 50 Hz or 60 Hz Compressor

Complies with the following standards:

- ADA Accessible
- NSF/ANSI 61
- GREEN UPC Water Efficiency
- Pb Federal Public Law 111-380 (No Lead)
- CE (220V Compressor Only)
- CHSC 116875
- UL US

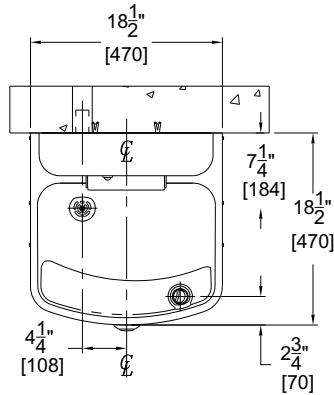
Test rating conditions are compliant with ARI 1010.

- Member of U.S. Green Building Council
- Recyclable Product
- Water Conserving Product

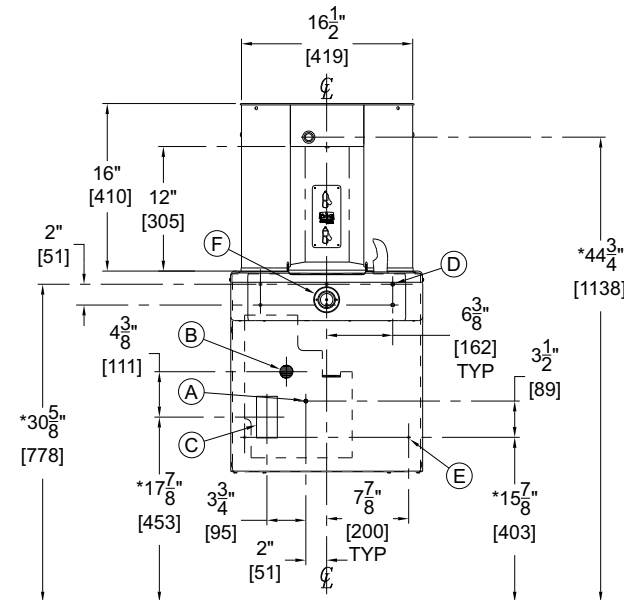
WARNING: Cancer and Reproductive Harm - www.P65Warnings.ca.gov

A171.8-UG-VR-D1-BF Series

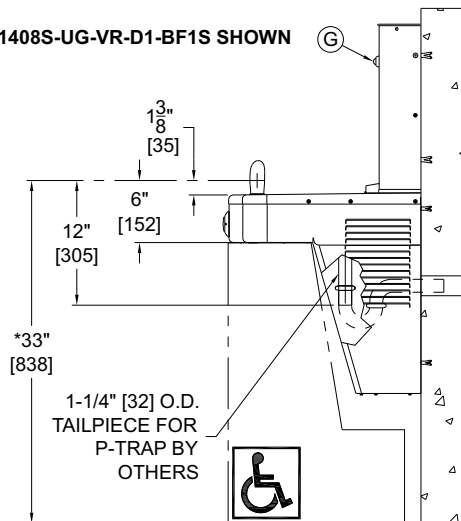
BARRIER FREE, VANDAL RESISTANT,
WALL MOUNTED WATER COOLER WITH
VANDAL RESISTANT, PUSHBUTTON OR SENSOR
OPERATED BOTTLE FILLER



- A. 3/8" O.D. SUPPLY INLET
- B. WASTE OUTLET FOR P-TRAP BY OTHERS FOR PROVIDED 1-1/4" O.D. TAILPIECE
- C. ELECTRICAL SERVICE ROUGH
- D. Ø3/8" HANGER BRACKET PUNCHING, 6 PLACES FOR ANCHORING HARDWARE BY OTHERS
- E. Ø1/4" PUNCHING, 2 PLACES FOR ANCHORING HARDWARE BY OTHERS
- F. VANDAL RESISTANT PUSHBUTTON CARTRIDGE
- G. BOTTLE FILLER PUSHBUTTON



A171408S-UG-VR-D1-BF1S SHOWN



SIDE VIEW

GENERAL NOTES:

1. ALL DIMENSIONS ARE IN INCHES [MM]
2. ALLOW 4 INCHES [102 MM] MINIMUM CLEARANCE PER SIDE FOR VENTILATION
- *3. DIMENSIONS SHOWN ARE FOR ADA ADULT HEIGHT. ADJUST VERTICAL DIMENSIONS AS NECESSARY TO COMPLY WITH FEDERAL, STATE, & LOCAL CODES
4. STOP VALVE, P-TRAP, & ELECTRICAL OUTLET NOT SUPPLIED
5. IMPORTANT: COOLERS MUST BE ATTACHED TO WALL WITH APPROPRIATE ANCHOR SCREWS

Murdock Mfg.™ warrants that its products are free from defects in material or workmanship under normal use and service for a period of one year from date of shipment. Murdock's liability under this warranty shall be discharged solely by replacement or repair of defective material, provided Murdock™ is notified in writing within one year from date of shipment, F.O.B. Industry, California.

SELECTION SUMMARY
& APPROVAL FOR
MANUFACTURING

Model Number & Options _____ Quantity _____

Company _____

Contact _____ Title _____

Signature (Approval for Manufacturing) _____ Date _____

All dimensions are subject to manufactures tolerance of plus or minus 1/2" nominal and subject to change without notice. Murdock assumes no responsibility for use of void or superseded data. Dimensions may change with the addition of optional accessories. Murdock Mfg.™, Member of Morris Group International™. Please visit www.murdockmfg.com for most current specifications.