

DECON FOR HEROES™

EASY DECONTAMINATION
OF COMPLETE SCBA.



Developed in connection with



“Everything is clean and free from contamination in just a few minutes.”

CONTAMINATED GEAR A CONSTANT HEALTH RISK.

SCBA (Self Contained Breathing Apparatus) and protective gear is a life insurance for firemen in their daily work of saving the lives of others.

On an emergency call, soot particles and combustion gases are absorbed by the protective gear, contaminating it and it now poses a health risk. Therefore, it's important to take care of and decontaminate the gear immediately upon return to the station.

CLEANING BY HAND IS TIME CONSUMING, HARD WORK AND POSES A HEALTH RISK.

Cleaning contaminated gear by hand takes time (about 30 minutes/set) and is hardly what you want to be doing after a demanding operation in the field. Cleaning by hand also means that the crew is yet again exposed to the residues from combustion gases, soot particles and toxins. Only this time, unprotected.

Studies have shown that firemen are more likely to suffer from cancer after prolonged exposure on the job than other professional groups. Establishing procedures to handle contaminated gear in a controlled and suitable way, is one way of minimizing the risks.



SOLO RESCUE® - CLEAN GEAR IN A FEW MINUTES.

The Solo Rescue® cleans SCBA smokediver gear (steel, composite, rubber, fabric, plastic etc.) from residues of combustion gases, soot particles and toxins in just a few minutes in a mechanical and self-contained process.

IMPROVED WORKING ENVIRONMENT AND MINIMISED CONTACT TIME.

The Solo Rescue offers a quick, easy and safe method of cleaning protective gear in a sealed compartment. This ergonomic process minimizes manual contact with contaminated materials.

The Solo Rescue does the hard work for you. This significantly improves the work environment for rescue services personnel.

DEVELOPED IN CLOSE CONTACT WITH THE SWEDISH RESCUE SERVICE.

The solution was developed in close contact with the Swedish Rescue Services to meet the needs for cleaning contaminated equipment in the best way possible. The Solo Rescue has a durable stainless steel interior with heavy duty stainless steel accessories for cleaning SCBAs, gloves, helmets, and boots.

COMPACT, EASY AND EFFICIENT.

Fits in less than 1 m². Solo Rescue is a compact machine with a lower door that folds out, acting as a loading table when opened. The machine occupies less than 1 m² of space.

Self-contained cleaning process. The entire cleaning process is carried out inside in the machine, ensuring minimum contact time for the staff.

Two efficient wash programmes. Gear is cleaned in just a few minutes. Choose between a 3 min cycle for gloves and helmets or a 8 min cycle for SCBAs.

Watch our Solo Rescue videos on YouTube and follow us on LinkedIn for latest information.

[**YouTube**](#) [**LinkedIn**](#)

i CALCULATION OF CAPACITY INCLUDES TIME FOR LOADING AND UNLOADING.

"Fire fighter proof" and easy to use - developed to fit the Fire Rescue Services.

INCLUDED.

All you need to clean single- and double cylinder SBCA's is included with standard delivery of Solo Rescue®.

The heavy duty basket is used at all times, paired with accessories to wash different gear; the SCBA holders are placed over the center bracket of the basket, while the optional holder for gloves, helmets and boots is placed in the base of the basket.



Holder for SCBA single/double cylinders.



SCBA - capacity/hour.

The heavy duty basket and a holder for single and double cylinders are included in standard delivery of Solo Rescue® machines and has the capacity to clean up to 14 SCBA's per hour.

The holder can be replaced with the optional add-on holder for jumbo cylinders.

Heavy duty basket (picture with holder for single/double cylinders).

OPTIONAL.

OPTIONAL ACCESSORY HOLDERS FOR 60 HELMETS, 120 PAIRS OF GLOVES OR 40 PAIRS OF BOOTS* (capacity/hour). Use this semicircular accessory holder to load and wash helmets, gloves and boots. Place at the base of the heavy duty basket. Full capacity requires 2 pcs.



Accessory holders.



GLOVES* - capacity/hour.

1 holder: up to 60 pairs of gloves.
2 holders: up to 120 pairs of gloves.



BOOTS* - capacity/hour.

1 holder: up to 20 pairs of boots.
2 holders: up to 40 pairs of boots.



Heavy duty basket with two accessory holders.



Heavy duty basket with one accessory holder.



Heavy duty basket with one accessory holder and one holder for SCBA single/double cylinders.



HELMETS* - capacity/hour.

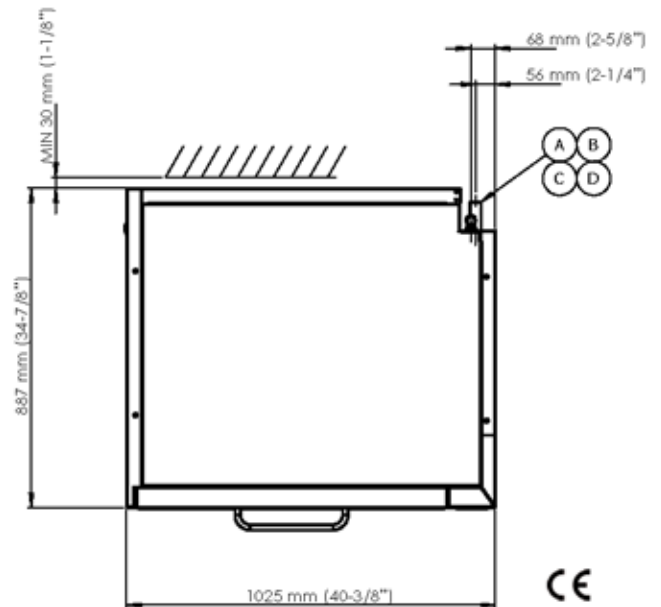
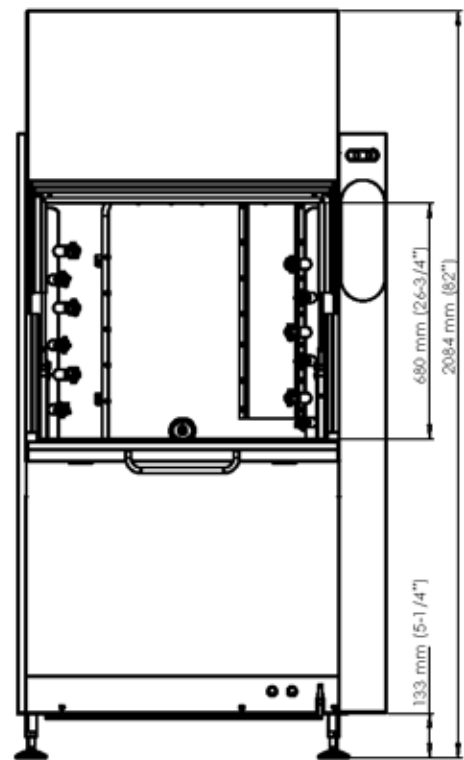
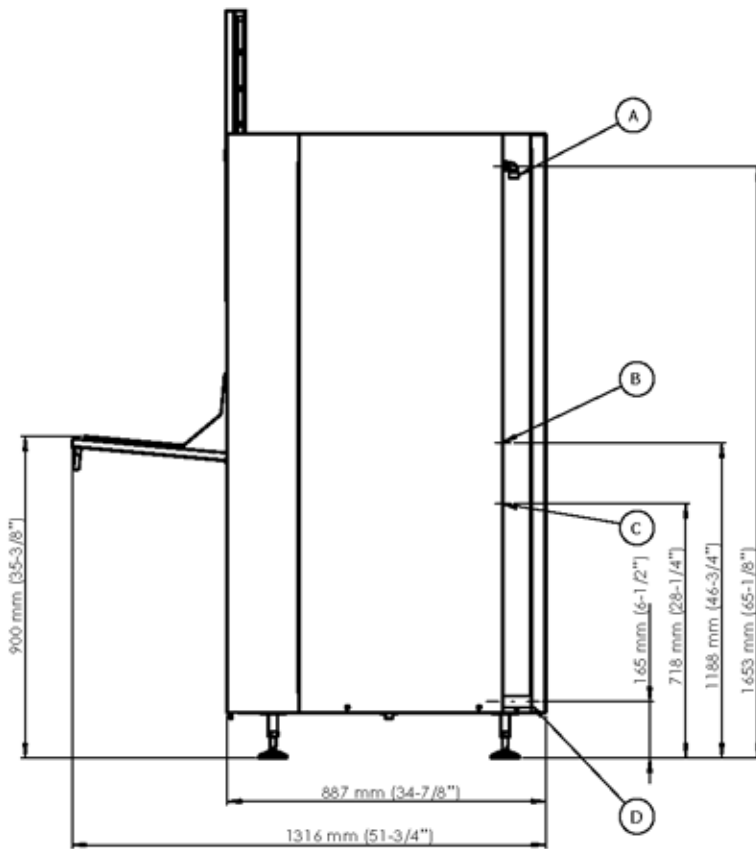
1 holder: up to 30 helmets.
2 holders: up to 60 helmets.
(max. 5 helmets/basket)

* Always follow the manufacturers washing guidelines. In case of uncertainty, contact your supplier for advice.

INSTALLATION DRAWING.

A. Water connection: 3-10 °dH, 15 l/min B. Detergent connection C. Electrical connection: 32 A D. Drain: Ø 32 mm. Minimum capacity 50 l/min
 N.B. Ventilation capacity: 500 cbm/h. (An extraction hood is recommended for low ceiling heights - consult with your contact.)

N. B. All dimensions from floor +/- 25 mm (due to adjustable feet)



TECHNICAL SPECIFICATION	Cold water connection (standard) 3-ph/400/415 V/50Hz - other electrical demands available on request
Wash programme lengths	3 min - gloves/helmets/boots 8 min - SCBA
Normal capacity per hour programme length includes handling	14 SCBA* or up to 60 helmets, or up to 120 pairs of gloves, or 40 pairs of boots
Wash temperature	30-60 °C
Water supply	3-10 °dH
Pressure, incoming water	1-6 bar
External dimensions (mm) H x W x D	1744 (open 2084) x 1025 x 887 (open 1316)
Maximum power	16,5 kW
Fuse	32 A

* single or double cylinders, with or without breathing mask.



www.sea.com.au

Unit 35, 1 Jubilee Avenue
 Warriewood NSW 2102, Australia
 Private Bag 1001
 Mona Vale NSW 1660, Australia
 T: +61 (0)2-9910 7500
 E: sea.australia@sea.com.au

Manufactured in Sweden in a CO₂ neutral production process according to ISO 9001:215 and ISO 14001:215.

