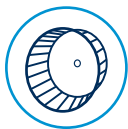


9KG STACK WASHER/DRYER



MLE22 AND MLG22



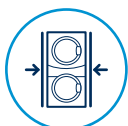
TURBOVENT® SYSTEM

- A high-speed blower wheel optimizes performance in long vents
- High airflow helps reduce drying times for a wide variety of loads
- Helps to increase efficiency and turns over the life of the machine



INTELLIGENT CONTROLS WITH M-SERIES TECHNOLOGY

- Easy-to-read diagnostics assist with quick identification of an issue helping to get the machine back into service
- Can be upgraded to Card Reader only to prevent vandalism and increase safety in your laundry
- End users can easily choose their preferred wash experience with one-touch cycle selection
- Digital display clearly conveys prices, selections, and time remaining



SPACE-SAVING CONFIGURATION

- All within the floor space of a single unit, the large capacity of the 9kg washer provides ample room for bulky items, while the extra-large, 9kg dryer allows for loads to be dried effectively
- Saving space can still deliver an optimal cleaning experience for end-users and help maximize laundry throughput



BUILT TO LAST

- Porcelain enamel top — a durable finish that stands up to the demands of high-traffic
- Premium bearings — oversized premium NSK bearings are sealed for added protection of the drive system
- Robust hinge — heavy-duty, die-cast door hinge is built to withstand the rigors of commercial laundry



NON-COIN
MLE22PN (pictured)
Also available in gas

9kg Stack Washer/Dryer		
Payment Configuration	Electric	Gas
Non-Coin	MLE22PN	MLG22PN
Coin Drop or Card Reader Ready	MLE22PD	MLG22PD



COIN DROP OR CARD READER READY
MLE22PD (pictured)
Also available in gas



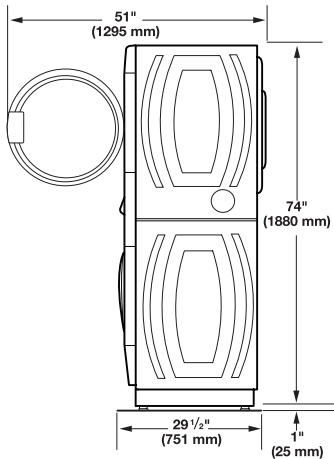
See maytagcommerciallaundry.com for warranty details.

9KG STACK WASHER/DRYER

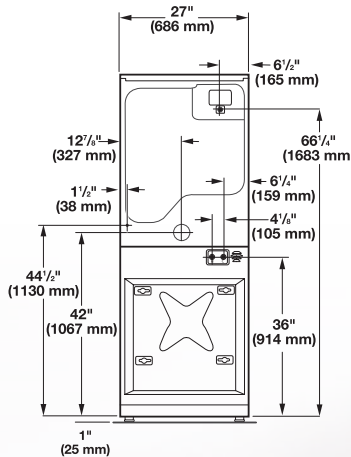


MLE22 AND MLG22

SIDE VIEW



BACK VIEW



Maximum Exhaust Duct Length Per Number of Turns

Rigid Metal Vent

Box Hood and Louvered Style

Angled Hood Style



No. of 90° Turns

No. of 90° Turns	Box Hood and Louvered Style	Angled Hood Style
0	39.6 m	39.3 m
1	38.1 m	36.3 m
2	35.1 m	33.2 m
3	32.3 m	30.5 m
4	29.9 m	28.0 m



*Use 4" (100 mm) diameter rigid aluminum or galvanized steel duct. Never use plastic, non-metal or combustible duct. See specific instructions for proper installation. Because of continuous product improvement, Maytag reserves the right to change specifications without notice. Export model ships without coin-drop mechanism.

MODELS	MLE22PD MLE22PN	MLG22PD MLG22PN
COIN DROP / CARD READY NON-COIN		
Fuel Type	Electric	Gas
CAPACITY		
Cylinder Volume — liters	88	88
Cylinder Diameter — mm	547	547
Cylinder Depth — mm	340	340
DIMENSIONS		
Width — mm	686	686
Depth — mm	751	751
Height — mm	1,880	1,880
Door Opening — mm	362	362
Exhaust Duct Diameter — in. (mm)	4 (100)*	4 (100)*
CRATED DIMENSIONS		
Crated Width — mm	743	743
Crated Depth — mm	864	864
Crated Height — mm	1,924	1,924
APPROXIMATE WEIGHT		
Uncrated — kg	169	171
Crated — kg	173	176
ELECTRICAL REQUIREMENTS		
Voltage	220-240V - 50Hz	220-240V - 50Hz
Breaker/Fuse — amps	25	10
Airflow — CFM (CMM)	215 (6.1)	230 (6.5)
Electric Heating Element (watts)	4,600	N/A
Gas Rating — BTU/hr (kcal/hr)	N/A	20,000 (5,040)
Gas Inlet Size — in.	N/A	3/8 N.P.T.
Motor Size — HP (kW)	1/3 (0.25)	1/3 (0.25)