

OT3000

ELECTRICALLY DRIVEN TUG
FOR LOADS **UP TO 14000 KG***

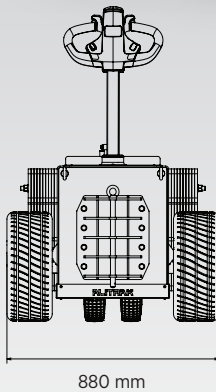
ZERO EMISSIONS

LOW NOISE

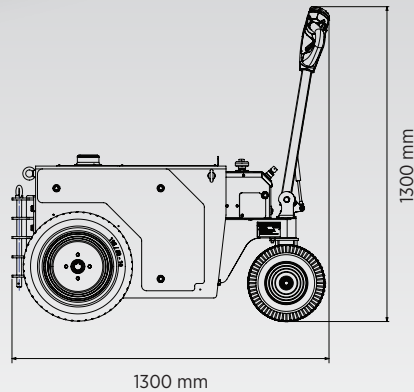
LIMITED MAINTENANCE



OT3000 is an electric tug equipped with two large driving wheels and two twin steering wheels, with tiller drive. It is designed to easily move trolleys and other wheeled containers safely and comfortably, reducing physical effort and improving productivity. Various configurations are possible, choosing between different types of batteries and tires. It can be equipped with different accessories that make the standard product adaptable to multiple uses. Compact dimensions and the use of twin wheels allow for easy use and great maneuverability.



880 mm



1300 mm

FEATURES

Supporting frame	On 2 traction + 2 twin steering wheels
Drive wheels on differential	Garden type filled with polyurethane
Driving control type	Tilting tiller
Accelerator	Butterfly type
Hook heights (4)	260mm, 340mm, 420mm, 500mm
Battery charger	Integrated, 25A High Frequency, with charge status information
Dashboard display	Remaining battery charge, vehicle failures, hour meter
Parking brake	Electromagnetic unlockable
Batteries	AGM 2 x 12V/230Ah C20
Electric motor	24V AC 3000 watt S2 60 min
Indicative weight	440 kg

PERFORMANCES

Maximum towing weight On flat surface up to*	14.000 kg
Pulling speed:	
Hare	4 Km/h
Turtle	2,5 Km/h
Pushing speed:	
Hare	3,0 Km/h
Turtle	1,5 Km/h
Battery charging time	8 hours

*The maximum towing capacity on flat surface is an indication that may vary with different machine fittings and different working conditions (type of ground surface, type of wheels, use of ballasts, etc.).