

# TMM5 PLUS

SURGICAL STRETCHER-CHAIR

TMM PLUS SERIES



## Minimize Transfers, Maximize Throughput

The versatility of TransMotion's TMM5 PLUS Surgical Stretcher-Chair enables facilities to streamline the treatment process and surgical flow by replacing multiple pieces of equipment with a single device. Innovative, powered patient positioning helps eliminate patient transfers, limiting the risk of injury to patients and staff while improving throughput. The TMM5 PLUS is a procedure chair, transport device and stretcher all in one!

**ONE PATIENT, ONE SURFACE®**

 **TransMotion**  
by Winco



# ANATOMY OF A TMM5 PLUS STRETCHER-CHAIR

**500 lb. Weight Capacity**

**Push Button Pendant**

**Central-Locking Brake**



**Dual Articulating Headrest**

**Fold-Down Push-Bars**

*Optional on X Models / Standard on Non-X Models*

**Quick-Charge Battery**

*(2 Batteries + Wall Charger Included)  
A/C Plug-In Option also available*

**Dual Column Base  
(24" - 32" seat height)**

*Triple Column Base Option  
(24" - 40" seat height) also available*

**30" Wheel Base**

*(Non-X Models)*

## SPACE-SAVING FOOTPRINT



In the seated position, the TMM5 PLUS requires half the space of a traditional stretcher and is easy to navigate through hallways, rooms, elevators and other close quarters. Its small footprint frees-up floor space so more units can be available for patients as well as enabling more efficient storage.

## ARTICULATING HEADPIECE

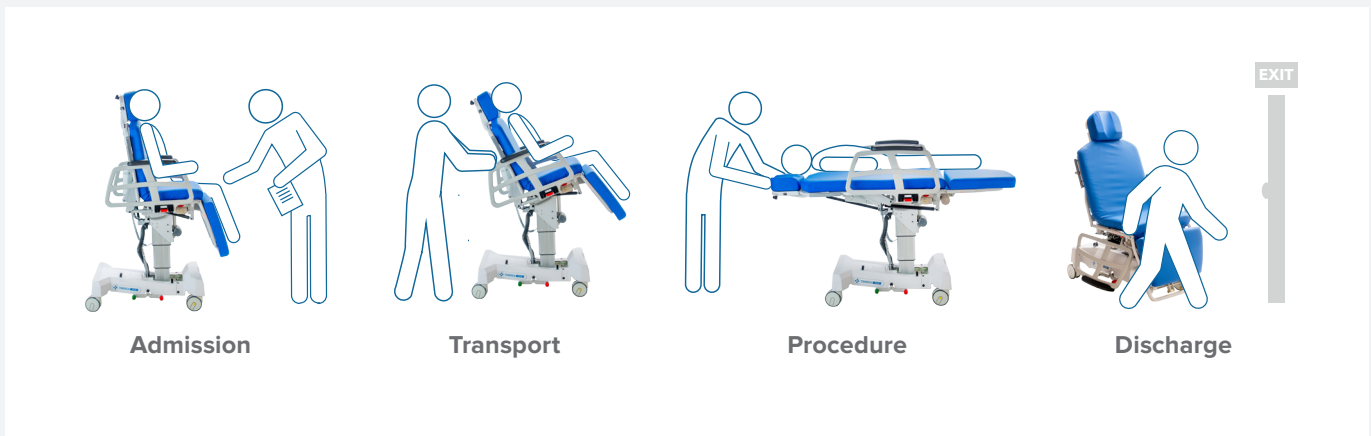


### Adjustability Clinicians Demand, Comfort Patients Deserve

The low-profile, dual articulating headrest provides precise positioning from 30° (fully extended) to 60° (fully retracted). Additionally, the headpiece can be raised up to 3.5" or lowered to 0.9".



## ONE PATIENT, ONE SURFACE® FROM ADMISSION TO DISCHARGE



Reducing patient transfers increases patient throughput while decreasing the likelihood of incurring costs associated with staff injury and worker's compensation claims.



# TMM5X PLUS STRETCHER-CHAIR

TMM PLUS SERIES

### Optional Anterior Wrist Rest

*\*Available for X & Non-X models*

### Auto-Extending Footrest NOT Available on X-models

*\*Not shown: Manual-folding footrest option available for X and Non-X models.*

### 20° Trendelenburg / 5° Reverse Trendelenburg

*In stretcher position  
\*X models ONLY*

### Surgical Support Leg

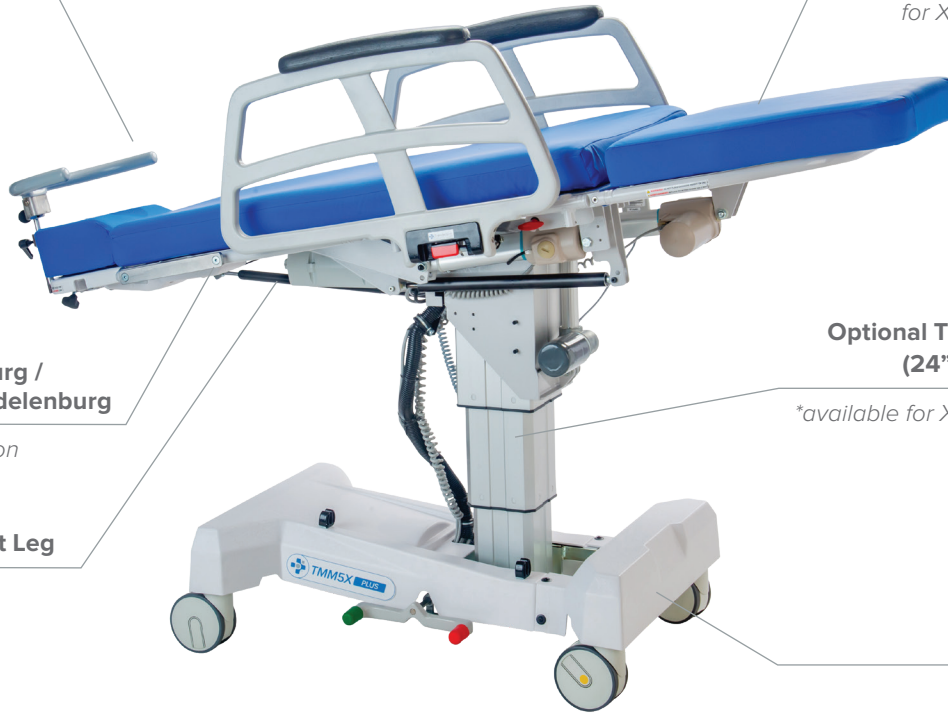
*X-models ONLY*

### Optional Triple Column Base (24" - 40" seat height)

*\*available for X and Non-X models*

### 33" Wheel Base

*X-Models ONLY*



## ENHANCED STABILITY



Activated by an easy-slide lock/unlock lever, the surgical support leg adds rigidity and stability to the back section of \* **TMM5X PLUS** models.

*\* The Surgical Support Leg is included as a STANDARD feature on TMM5-X Models ONLY.*



# ALTERNATE CONFIGURATION OPTIONS



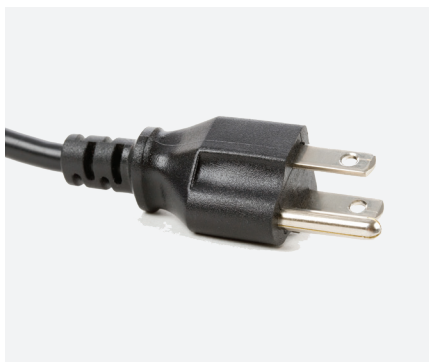
**Wide (28") Seat Width (W)**



**Triple Column Base (T)**  
24" - 40" Seat Height



**Manual Folding Footrest (F)**



**A/C Plug-In (A)**

120v / 60Hz A/C power with on-board charger & internal batteries



**Export Plug-In (E)**

## CUSHION OPTIONS

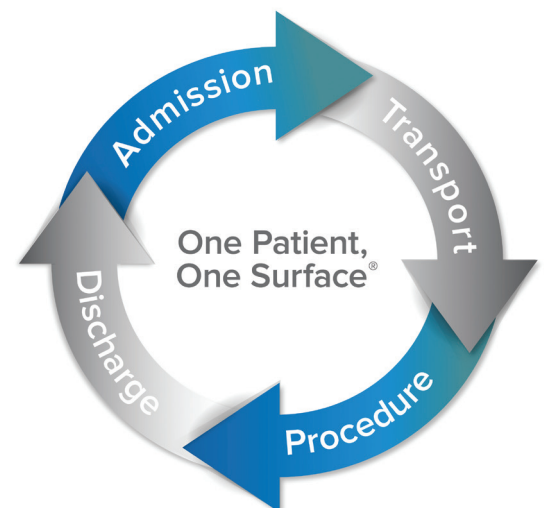
Multi-layer foam cushions are available in your choice of Sure-Chek Fusion® 4-way stretch fabric or Healthcare Grade vinyls.

Visit our website or contact a representative to view our selection of colors or to request swatches.

# TRANSMOTION BY WINCO LIMITED WARRANTY



Optional Extended Limited Warranty also available.



# SUGGESTED ACCESSORIES



**Air Delivery Drape Support**  
(TMA32-15)



**IV Pole**  
(TMA03-15)



**Head Extension**  
(TMA-362-15)



**Dual-Side Wrist Rest**  
(TMA20-15)



**Anterior Wrist Rest**  
(TMA167-15)



**Dual Foot Pedal Control**  
(TMA21K-15)



**Oxygen Tank Holder**  
For Non-X Models  
(TMA04-15)



**Oxygen Tank Holder**  
For X-Models  
(TMA04X-15)

**Additional configuration & accessory options available**

Contact a representative to discuss solutions designed to meet your specific needs.



**CONTACT US**

PH: (07) 3390 7011

Email: [admin@hoylandmedical.com.au](mailto:admin@hoylandmedical.com.au)