



ICEU305

## Features

- Space-saving 30" (762 mm) wide undercounter design.
- Produces up to 136 kg of ice per day.
- *Harvest Assist* provides consistent ice production for the life of the ice maker while reducing energy consumption and increasing capacity.
- *Pure Ice*® exclusively by Ice-O-Matic. Built-in antimicrobial protection for the life of the ice maker inhibits bacteria growth on ice maker surfaces. Coast's optional water filtration system provides protection against unpleasant tastes, odours and scale formation.
- Durable, electroless nickel plating on all evaporator plates ensures reliability.
- Constructed from corrosion-resistant stainless steel and fingerprint-proof plastic.
- Made in U.S.A

## Options & Accessories

WATER FILTERS		
Ice Machine Model	Manifold	
	System	Replacement
ICEU305	CD20B	CD200B

## Ice Maker Warranty

Every Ice-O-Matic ice maker is backed by a warranty that provides both parts and labor coverage.

- Three years **Parts** and **Labor**.
- Five years **Parts** coverage on the evaporator and compressor.

## Ice Form



### CUBE

FULL CUBE DIMENSIONS	
W x D x H (mm)	22 x 22 x 22
HALF CUBE DIMENSIONS	
W x D x H (mm)	10 x 22 x 22

## Space-Saving Solutions

- Front air discharge design for compact spaces.
- Low profile top saves counter space.
- Stores up to 44 kg of ice.
- Easy front access to ice.

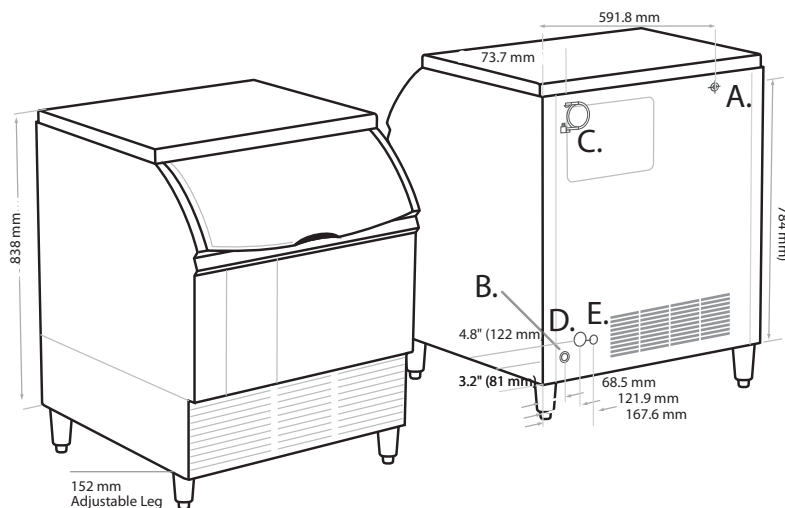
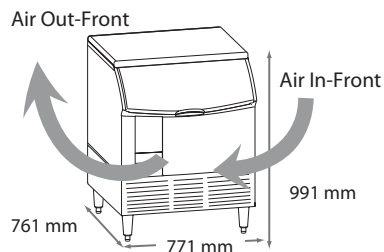




# ICEU305 - SELF CONTAINED CUBE ICE MAKER

## Air and Water Cooled

- A. Ice maker water in 3/8" FPT.
- B. Bin and ice maker drain, 3/4" FPT.
- C. Electrical cord on 115 Volt unit.



Front & Rear View

## Operating Requirements

	MINIMUM	MAXIMUM
		<b>50 Hz</b>
Ambient Temp. Range Air	10°C	43°C
Water Temp.	4.4°C	
Water Pressure	1.4 BAR	4.1 BAR

## Dimensions

ALL MODELS	
W x D x H (mm)	771 x 761 x 991
870mm high on castors	

## Specifications

Model Number	Cond. Unit	Ice Production per 24hrs		Water Usage Litres per 45 kg of ice @ 32°C air / 21°C water	kWH Used Per 45 kg of ice @ 32°C air / 21°C water	Watts Used Per Hr @ 32°C air / 21°C water	Voltage Characteristics	Min. Circuit Ampacity	Fuse Size	Approx. BTUs per hour
		21°C air / 10°C water kg	32°C air / 21°C water kg							
ICEU305A	Air	136	101	116	7.70	720	220-240/50/1	6.6	16	5,392

### NOTES:

- Number of Wires: 3 (including ground)
- Approx. Shipping Weight kg: ICEU305A 93
- Refrigerant Type: R404A

ICEU305 SELF CONTAINED CUBE ICE MAKER