

# KELBA TENSION LOAD CELL: KPA 6139i

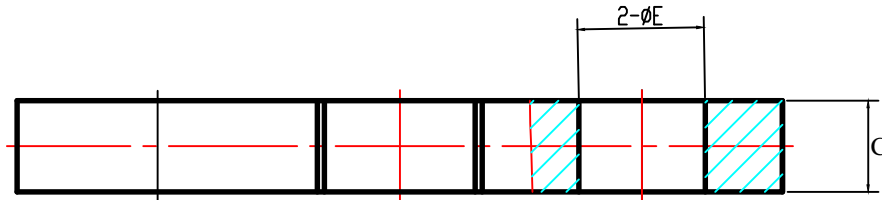
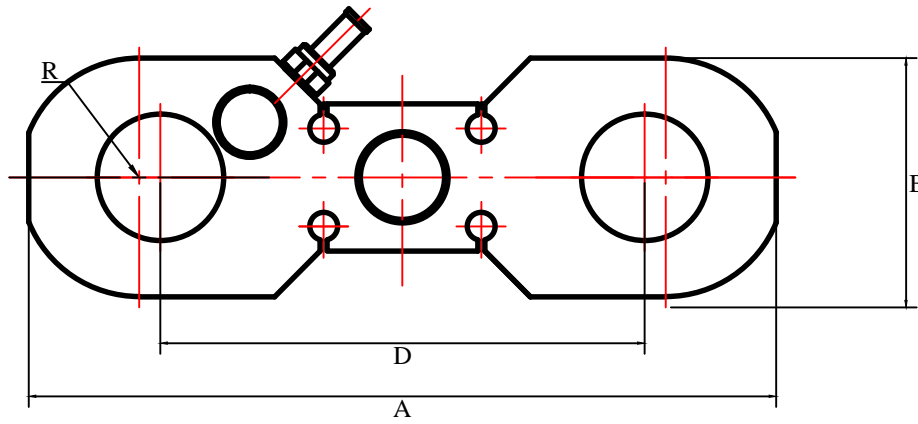
## General Specifications:

Standard Capacity: 2t, 3t, 4t, 5t, 6t, 8t, 10t, 15t, 20t, 30t, 50t

Material: Alloy Tool Steel

### Electrical:

Cable Length: 20FT (6m)  
 Rated Output: 2.00 mV/V ± 0.1%  
 Accuracy class: 0.03  
 Non-linearity: 0.03% F.S  
 Hysteresis: 0.02% F.S  
 Non-repeatability: 0.03% F.S  
 Creep in 30 minutes: 0.03% F.S  
 Temperature effect span: 15PPM/ °C of Applied Load  
 Temperature effect zero: 26 PPM/ °C of Applied Load  
 Compensated temperature range: -10 °C ~40°C  
 Operating temperature range: -40°C ~65°C  
 zero balance: ± 1% F.S  
 Input resistance: 385 ± 15 ohms  
 Output resistance: 350 ± 3 ohms  
 Safe overload: 150% F.S  
 Ultimate overload: 300% F.S  
 Excitation Voltage: 10V AC/DC  
 Max Excitation Voltage: 15V AC/DC  
 Insulation resistance: ≥ 5000M ohms (50V DC)  
 Environmental Protection: IP67



Size: mm

Capacity	A	B	C	D	E	R
2, 3t	195	60	22	133	Ø32	35
4t	214	68	26	138	Ø36	35
5, 6t	222	70	28	147	Ø40	35
8, 10t	283	90	34	183	Ø50	35
15t	283	90	40	183	Ø50	35
20t	318	110	40	200	Ø60	35
30t	459.7	91	38	368	Ø51	35
50t	500	180	60	320	Ø72	35

### Wiring colour code:

Excitation + Red  
 Excitation - Black  
 Signal + Green  
 Signal - White

## Kelba ( Australia ) Pty Ltd

Reference		KPA 6139i			
22/09/23		2t-50t			
Drawn By	J. Dagang				
Approved		Drg No.	1	Rev	3
Scale	NTS			Date	23/09/23