

# Regency Urinal



WELS Reg #U00441



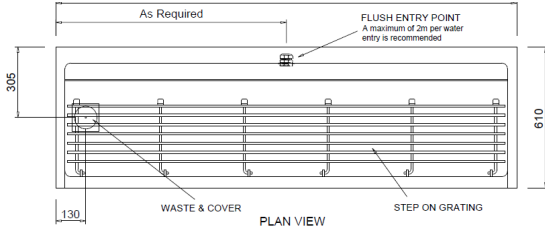
## UREG

### Product Info:

- Made to custom lengths and in L or U shape
- Choice of Recessed or Floor Mounted models
- Optional waste outlet size and position
- Suits pairing with Smart Sani Flush Sensor (FSM)

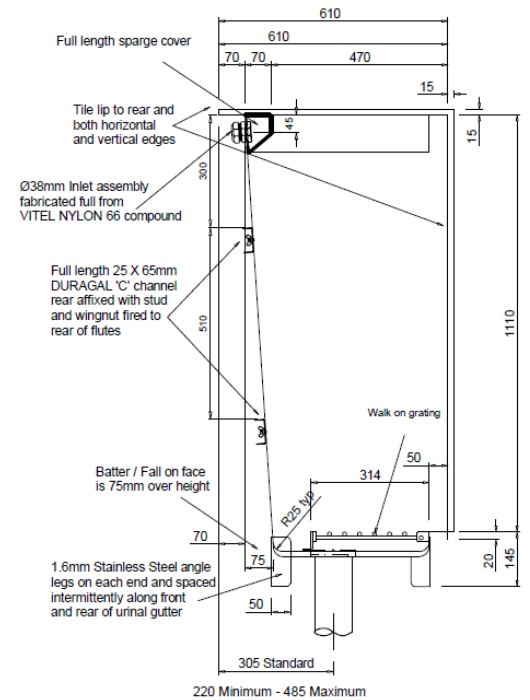
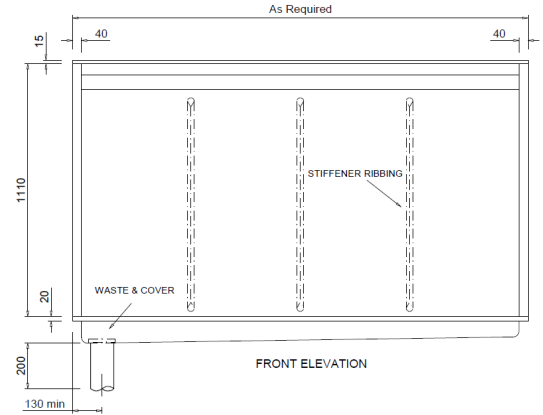
### To order this item please advise:

- Urinal Length
- Waste Size (100mm or custom)
- Waste Pos'n (L, R or custom)
- Rear or Top water entry
- Floor Mounted or Recessed model



## INSTALLATION NOTES

- 1) A pliable mortar bed (slurry) is recommended to support urinal tray and prevent flexing.
- 2) Recommended trench dimensions for recessed urinals are (Urinal Length + 50mm) x 630mm Wide. To calculate trench depth, allocate 180mm for the first 1000mm in length and add 20mm for each additional meter thereafter.
- 3) Water entries supplied 38mm ID as standard or 25mm by request.
- 4) One water entry will be supplied for every 2000mm or part thereof.
- 5) 101mm (OD) tube dropper outlet provides optimal drainage.
- 6) If urinal has rear water entry, provide access and enough space behind to connect water before finishing walls.
- 7) Tile edges are supplied to all sides for sheeting over unless otherwise requested. E.g. if side wall(s) are requested to be freestanding.



*Recessed Model shown.  
Floor Mounted Model is supplied with a (150mm) kick plate.*