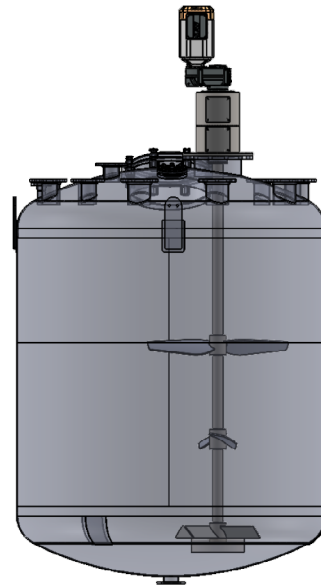


TOP ENTRY MIXER LT-10 SERIES 65

Top entry mixer with a 65mm shaft, suitable for larger tanks.

- Top to bottom flow
- Convenient fixing system
- Fits to a variety of vessels
- Different shaft and impeller options available



For more information, request a copy of our full LT-10 Series Top Entry Mixer brochure