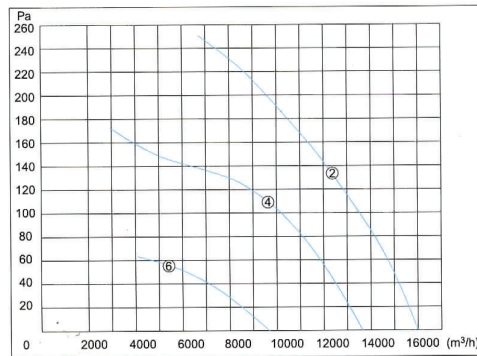
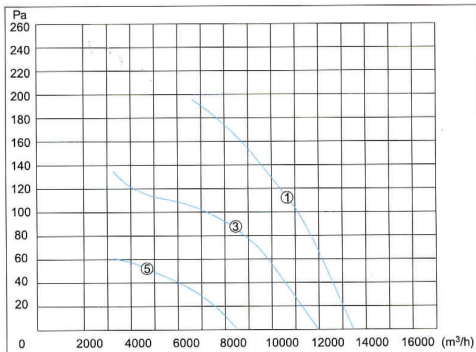
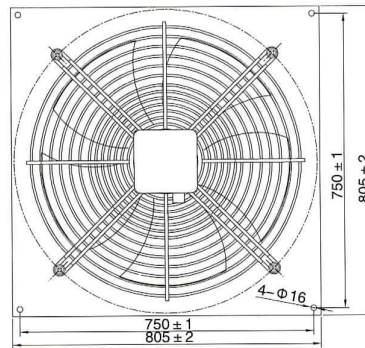
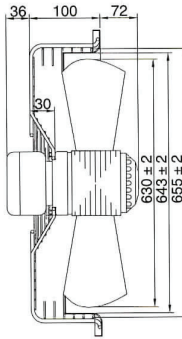
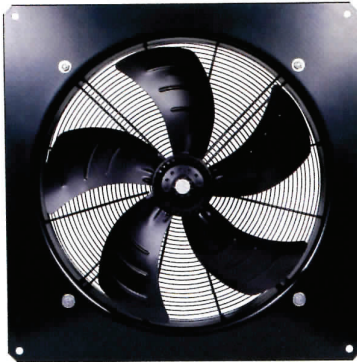
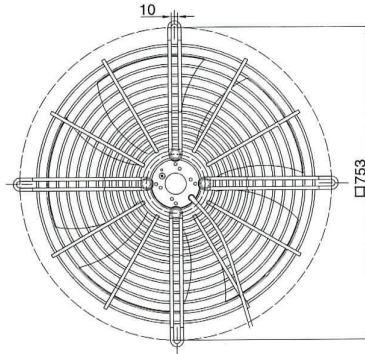
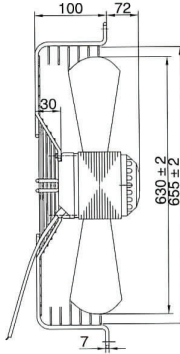


外转子风机 AXIAL FAN MOTOR

Φ 630



| 型号                    | 电压           | 频率              | 曲线编号      | 风量                 | 转速             | 输入功率       | 电流           | 电容器                    | 噪声             | 净重         |
|-----------------------|--------------|-----------------|-----------|--------------------|----------------|------------|--------------|------------------------|----------------|------------|
| MODEL                 | VOLTAGE<br>V | FREQUENCY<br>Hz | CURVE NO. | AIR VOLUME<br>m³/h | SPEED<br>r/min | INPUT<br>W | CURRENT<br>A | CAPACITANCE<br>μF/450V | NOISE<br>dB(A) | -NET<br>Kg |
| YDWF102L70P4-753N-630 | 220          | 50              | ①         | 13500              | 1410           | 780        | 3.6          | 20                     | 77             | 15         |
|                       |              | 60              | ②         | 16000              | 1650           | 900        | 4.55         |                        | 81             |            |
| YSWF102L70P4-753N-630 | 380          | 50              | ①         | 13500              | 1410           | 780        | 1.65         | /                      | 77             | 15         |
|                       |              | 60              | ②         | 16000              | 1685           | 945        | 1.7          |                        | 81             |            |
| YDWF102L70P6-753N-630 | 220          | 50              | ③         | 12000              | 930            | 540        | 2.5          | 16                     | 72             | 15         |
|                       |              | 60              | ④         | 13600              | 1053           | 605        | 2.78         |                        | 75             |            |
| YSWF102L70P6-753N-630 | 380          | 50              | ③         | 12000              | 930            | 520        | 1.25         | /                      | 72             | 15         |
|                       |              | 60              | ④         | 13600              | 1112           | 576        | 1.38         |                        | 75             |            |
| YDWF102L70P8-753N-630 | 220          | 50              | ⑤         | 8500               | 680            | 328        | 1.5          | 12                     | 68             | 15         |
|                       |              | 60              | ⑥         | 9600               | 820            | 420        | 2            |                        | 71             |            |