



Model: LE18SF05DNO

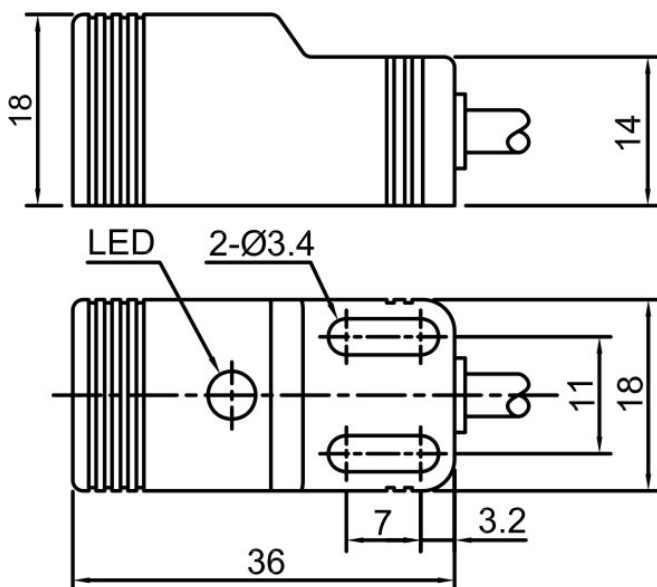
Features

Stable performance, strong versatility and excellent anti-interference performance

Technical Specifications

Mounting	Flush	Assured distance	$\leq \pm 10\%$
Sensing distance	5mm	Hysteresis range	1...20%
Assured Distance[Sa]	0...4mm	Repeat accuracy	$\leq 3\%$
Standard target	Fe 18*18*1t	Ambient Temperature	-25°C..70°C
Rectangular size	18*18*36mm	Ambient Humidity	35-95%RH
Output ways	NPN	Circuit protection	Short circuit protection, overload protection, reverse polarity protection
Output status	NO	Voltage Withstand	1000V/AC 50/60Hz 60S
Residual voltage	$\leq 2.5V$	Insulation Resistance	$\geq 50M\Omega(500VDC)$
Supply voltage	10...30VDC	Vibration Resistance	Complex amplitude 1.5mm 10...50Hz(X,Y,Z 2 hours at each direction)
Load Current	$\leq 100mA$	Degree of Protection	IP67
Current consumption	$\leq 10mA$	Housing Material	PBT
Switching frequency	700Hz	Connection Type	Cable
Output indicator	Yellow LED	Certification	CE

Dimensions



Wiring Diagram

