



Model: LR30XCF10LUM-E2

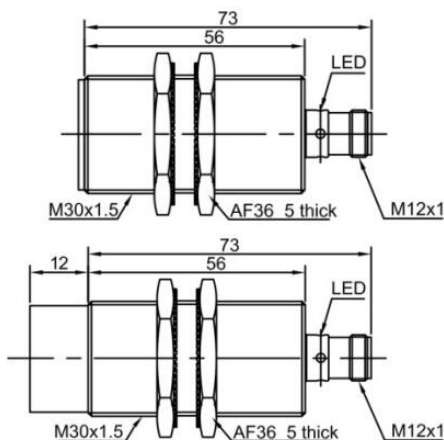
## Features

Stable performance, strong versatility and excellent anti-interference performance

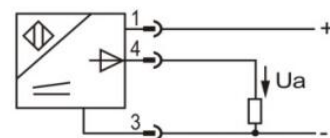
## Technical Specifications

Mounting	Flush	Ambient temperature	-25°C..70°C
Sensing distance	10mm	Ambient humidity	35-95%RH
Assured Distance[Sa]	2...10mm	Circuit protection	Reverse polarity protection
Standard target	Fe 30*30*1t	Ambient Temperature	-25°C..70°C
Cylindrical size	M30*1.5*73mm	Ambient Humidity	35-95%RH
Output ways	0...10V	Output indicator	Yellow LED
Supply voltage	15...30VDC	Withstand voltage	1000V/AC 50/60Hz 60s
Load current	≥ 4.7K Ω (voltage output)	Insulation resistance	≥ 50M Ω (500VDC)
Current consumption	≤ 20mA	Vibration Resistance	Complex amplitude 1.5mm 10...50Hz(X,Y,Z 2 hours at each direction)
Switching frequency	200Hz	Degree of Protection	IP67
Assured distance	≤ ±10%	Housing Material	Nickel-copper Alloy
Repeat accuracy	≤ ±3%	Connection Type	M12 connector
Linearity	≤ ±5%	Certification	CE+UL

## Dimensions



## Wiring Diagram



0...10V

