

# DOUBLE ACTING CYLINDERS

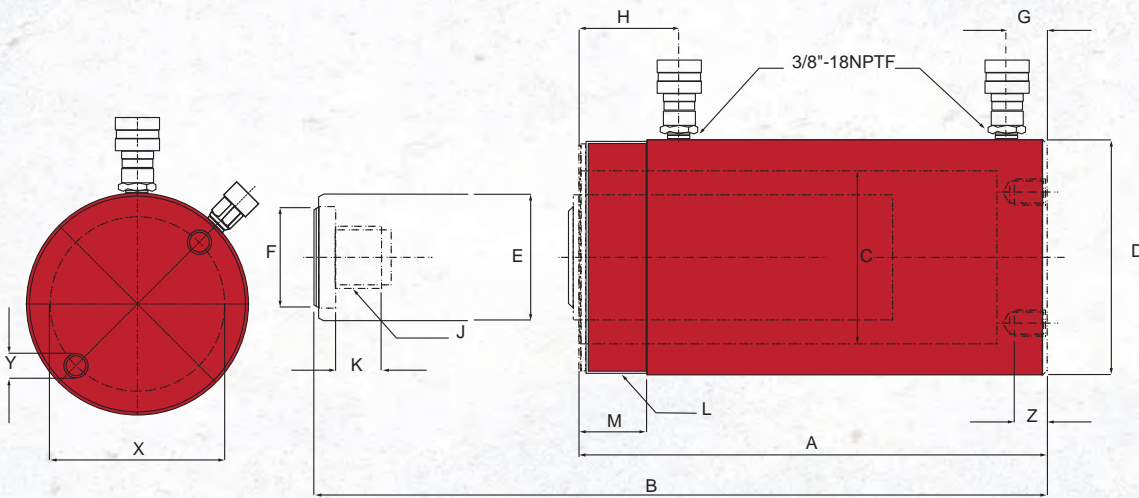
- Rod wiper seals out dirt and contamination
- High strength steel construction from gun drilled solid bar
- High flow 3/8" NPTF couplers
- One piece high grade alloy bearing for side load protection and long life
- Ideal for pushing and pulling
- Maximum working pressure: 10,000 psi / 700 bar
- Retract under hydraulic power for faster operation
- 55-100 Tons models are equipped with carrying handles



High-Flow Coupler:CH38F  
Included on all models



HD cylinders can be used in pushing and pulling applications





Cylinder Capacity (tons)	Stroke (in)	Model Number	Maximum Cylinder Capacity		Cylinder Effective Area		Oil Capacity		Weight (lbs)	Collapsed Height A (in)	Extended Height B (in)	Cylinder Bore Dia. C (in)
			Push (ton)	Pull (ton)	Push (in <sup>2</sup> )	Pull (in <sup>2</sup> )	Push (in <sup>3</sup> )	Pull (in <sup>3</sup> )				
10	10.04	HD1010	11.40	3.80	2.24	0.74	22.41	7.47	26.7	16.12	26.19	1.69
	11.97	HD1012	11.40	3.80	2.24	0.74	26.71	8.90	30.0	18.03	30.00	1.69
25	5.90	HD2506	25.7	13.39	5.14	2.68	30.35	15.81	24.8	10.56	16.46	2.56
30	8.15	HD3008	32.90	16.20	6.49	3.19	52.93	26.02	43.0	15.31	23.46	2.87
	14.49	HD3014	32.90	16.20	6.49	3.19	94.09	46.26	60.6	21.65	36.14	2.87
55	6.18	HD5506 ±	55.70	16.20	10.99	3.19	67.93	19.74	70.5	13.03	19.21	3.74
	13.19	HD5513 ±	55.70	16.20	10.99	3.19	144.94	42.11	104.0	20.04	33.23	3.74
	20.12	HD5520 ±	55.70	16.20	10.99	3.19	221.09	64.24	146.2	28.86	49.98	3.74
75	6.10	HD7506 ±	81.70	25.90	16.09	5.12	98.10	31.21	93.7	13.70	19.80	4.53
	13.11	HD7513 ±	81.70	25.90	16.09	5.12	210.93	67.06	136.8	20.71	33.82	4.53
100	6.57	HD10006 ±	104.40	48.60	20.57	9.58	135.23	62.98	138.6	14.06	20.63	5.12
	10.13	HD10010 ±	104.4	48.6	20.57	9.58	208.3	97.1	169.2	17.67	27.80	5.12
	13.11	HD10013 ±	104.40	48.60	20.57	9.58	269.66	125.58	193.6	20.63	33.74	5.12
	18.15	HD10018 ±	104.40	48.60	20.57	9.58	373.31	173.86	248.3	27.05	45.20	5.12

± Cylinder is equipped with carrying handle

Model Number	Outside Dia. D (in)	Rod Dia. E (in)	Saddle Dia. F (in)	Base to Adv. Port G (in)	Top to Return Port H (in)	Rod Internal Thread J (in)	Rod Thread Length K (in)	Collar Thread L (in)	Collar Thread Length M (in)	Base Mounting Hole		
										Bolt Circle X (in)	Thread Y (in)	Thread Depth Z (in)
HD1010	2.87	1.38	1.38	1.42	2.09	1"-8	0.98	2¼"-14	1.02	1.3	5/16"-18	0.6
HD1012	2.87	1.37	1.38	1.42	2.09	1"-8	0.98	2¼"-14	1.02	1.3	5/16"-18	0.6
HD2506	3.62	1.77	1.50	0.98	1.93	1"-8	1.18	3-5/16"-12	0.98	2.3	½"-13	0.7
HD3008	3.98	2.13	1.97	1.65	2.91	1½"-16	0.98	3-5/16"-12	1.93	2.2	½"-13	0.7
HD3014	3.98	2.13	1.97	1.65	2.91	1½"-16	0.98	3-5/16"-12	1.93	2.2	½"-13	0.7
HD5506	5.00	3.14	2.76	1.14	2.87	1"-12	0.98	5"-12	1.73	3.7	½"-13	0.7
HD5513	5.00	3.14	2.76	1.14	2.87	1"-12	0.98	5"-12	1.73	3.7	½"-13	0.7
HD5520	5.00	3.14	2.76	1.14	2.87	1"-12	0.98	5"-12	1.73	3.7	½"-13	0.7
HD7506	5.75	3.75	2.76	1.18	2.80	1"-12	1.50	5¾"-12	1.50	4	¾"-10	0.9
HD7513	5.75	3.75	2.76	1.18	2.80	1"-12	1.50	5¾"-12	1.50	4	¾"-10	0.9
HD10006	6.97	3.75	2.95	1.22	2.95	1¼"-12	1.38	6¾"-12	1.97	5.47	¾"-10	0.98
HD10010	6.97	3.74	2.95	1.22	2.95	1¼"-12	1.50	6¾"-12	2.01	5.5	¾"-10	0.98
HD10013	6.97	3.75	2.95	1.22	2.95	1¼"-12	1.38	6¾"-12	1.97	5.47	¾"-10	0.98
HD10018	6.97	3.75	2.95	1.50	2.95	1¼"-12	1.38	6¾"-12	1.97	5.47	¾"-10	0.98