

Electrolux Dishwashing

Rack Type WTM140

The Electrolux Dishwashing range is produced for customers with the highest conceivable demands for good efficiency, economy and ergonomics for dishwashing operation. The product range comprises glasswashers, undercounter dishwashers, hood type dishwashers, rack type dishwashers, flight type dishwashers and pot and pan washers. The rack type dishwasher range is designed to be easily connected with the equipment included in the Electrolux Handling System range, to create a functional and ergonomic dishwashing area. The rack type dishwasher WTM140 has a capacity up to 140 racks per hour with 2 speeds (variable on-site). The range consists of 6 electrically or steam heated models, available with or without Energy Saving Device (ESD).



534103

EASY TO INSTALL

- Solid 3mm square stainless steel sub-frame with bolt-together construction that can be delivered assembled or in modules to be connected on site.
- Stainless steel wash pumps ideal for heavy duty usage installations.
- Brass inlet valves as standard for extra reliability at high incoming water temperatures.
- All rear positioned water tubes in stainless steel.
- Only one cable for electrical connection.
- Electrical and water connections centralised in one area.
- Service from the front and from the side.

- Pre-arrangements for automatic detergent dispenser, energy management device and HACCP implementation (both basic as well as integrated system).

FUNCTIONAL ZONES

- Power wash zone where all the soil is removed with maximum water contact wash arms for best possible washing result.
- Separate wash and rinse zones so detergent does not mix with the rinse aid and is always active.
- Rinse area equipped with the DUO-rinse system where the first ramp is filled by the re-used final rinse water, to eliminate any trace of detergent, and the second ramp is filled by hot fresh water to guarantee sanitation of the items.

- Atmospheric boiler combined with the rinse booster pump for perfect rinsing performances in terms of sanitation, energy saving, independence from the water pressure on the network.
- Incorporates non-return (air gap class A) valve.
- As optional extra the WTM140 can be equipped with a drying zone for fast and efficient drying.

EASY TO CLEAN AND MAINTAIN

- The rinse and wash tank are pressed with completely rounded corners and sloping base to facilitate cleaning.
- WTM140 has smooth surfaces. 304 AISI stainless steel front and side panels, strainers and wash and rinse arms.



Electrolux

**Electrolux Dishwashing
Rack Type WTM140**

- Wash arms and double tank filter (flat and deep box) easy to remove.
- Height adjustable stainless steel feet.
- All models finished in top quality materials with double skinned construction to aid durability and reduce noise.
- Self-draining wash pumps provide maximum hygiene.
- Hinged flap for easy access to the energy saving condenser unit.
- Large balanced inspection doors for easy access to wash area.
- Self-cleaning cycle in washing and rinse zones.

EASY TO USE

- Automatic start/stop function.
- Advanced electric control panel with sound signals and visual display.
- Counter balanced door with safety switch and easy to grip handle.
- Built-in rinse water heater to increase the temperature of the final rinse water.
- Electronic control panel with autodiagnostic check control.

EASY ON THE ENVIRONMENT

- 35mm thickness foam injection insulated doors to reduce noise and reduce heat dispersion.
- Available with version equipped with Energy Saving Device (ESD) to pre-heat the incoming cold water and to save up to 12kW of energy. ESD incorporates a condenser unit to decrease temperature and humidity of the outlet hot steam.
- 98% recyclable by weight.
- CFC free packaging.
- Low noise level <70dB(A).
- Developed and produced in ISO 9001 and ISO 14001 certified factory.

	WTM140ERA 534100	WTM140ELA 534101	WTM140ERB 534102	WTM140ELB 534103	WTM140SRA 534124	WTM140SLA 534125
TECHNICAL DATA						
Model	Electronic - A	Electronic - A	Electronic - B	Electronic - B	Electronic - A	Electronic - A
Power supply	Electric	Electric	Electric	Electric	Steam & Electric	Steam & Electric
Feeding direction	from RH to LH	from LH to RH	from RH to LH	from LH to RH	from RH to LH	from LH to RH
Energy Saving Device incl. cond. unit	●	●			●	●
Water supply						
pressure min. , max. - bar	1.5, 7	1.5, 7	1.5, 7	1.5, 7	1.5, 7	1.5, 7
hot water inlet °C	50	50	50	50	50	50
cold water inlet °C	15	15			15	15
Capacity dishes/h 1st/2nd speed	2520, 1440	2520, 1440	2520, 1440	2520, 1440	2520, 1440	2520, 1440
Capacity baskets/h 1st/2nd speed	140, 80	140, 80	140, 80	140, 80	140, 80	140, 80
Air emission - m³/h	180	180			180	180
Insulation	●	●	●	●	●	●
External dimensions - mm						
width	1773	1773	1773	1773	1773	1773
depth	884	884	884	884	884	884
height/with open door	1771, 2119	1771, 2119	1771, 2119	1771, 2119	1771, 2119	1771, 2119
1st wash						
temperature - °C	55-65	55-65	55-65	55-65	55-65	55-65
tank capacity - lt.	100	100	100	100	100	100
pump power - kW	2.2	2.2	2.2	2.2	2.2	2.2
Duo rinse						
temperature - °C	60-70	60-70	60-70	60-70	60-70	60-70
tank capacity - lt.	23	23	23	23	23	23
pump power - kW	0.35	0.35	0.35	0.35	0.35	0.35
Rinsing						
temperature - °C	84	84	84	84	84	84
boiler capacity - lt.	12	12	12	12	12	12
boiler power - kW	12	12	12	12		
water flow - liters/hr	240	240	240	240	240	240
Steam supply						
relative dynamic pressure bar - min/max					1.5, 3	1.5, 3
Steam consumption peak - Kg/h					92	92
Total installed power - kW	27.4	27.4	27.4	27.4	6.4	6.4
ACCESSORIES						
12 S/S PLUGS FOR WASH ARMS-MODUL/COMP.RT	864239	864239	864239	864239	864239	864239
BASKET FOR 5 HALF INSULATED TRAYS-RED	867005	867005	867005	867005	867005	867005
DRAIN KIT FOR MODULAR+COMPACT RACK TYPE	864150	864150	864150	864150	864150	864150
EL. DRY. TUNNEL-CORNER-RIGHT-MODULAR RT	864512		864512			
EL. DRYING TUNNEL-CORNER-LEFT-MODULAR RT		864513		864513		
EL. DRYING TUNNEL-EL.MODULAR RT-L>R-600		864511		864511		
EL. DRYING TUNNEL-EL.MODULAR RT-L>R-900		864501		864501		
EL. DRYING TUNNEL-EL.MODULAR RT-R>L-600	864510		864510			
EL. DRYING TUNNEL-EL.MODULAR RT-R>L-900	864500		864500			
KIT 6 BASKETS FOR 1-TANK RACK TYPE DW	867050	867050	867050	867050	867050	867050
KIT 9 BASKETS FOR 1-TANK RACK TYPE DW	867051	867051	867051	867051	867051	867051
KIT SILASTIC CURTAINS FOR RACK TYPE DW	864245	864245	864245	864245	864245	864245
SPLASH HOOD-MODULAR RACK T.-LOADING SIDE	865177	865177	865177	865177	865177	865177
STEAM DRYING TUNNEL-MODULAR RT-L>R-900						864515
STEAM DRYING TUNNEL-MODULAR RT-R>L-900					864514	

IEBA010

2009-07-03

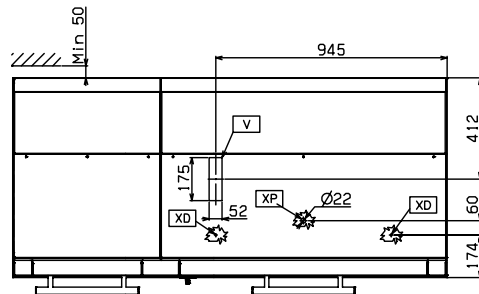
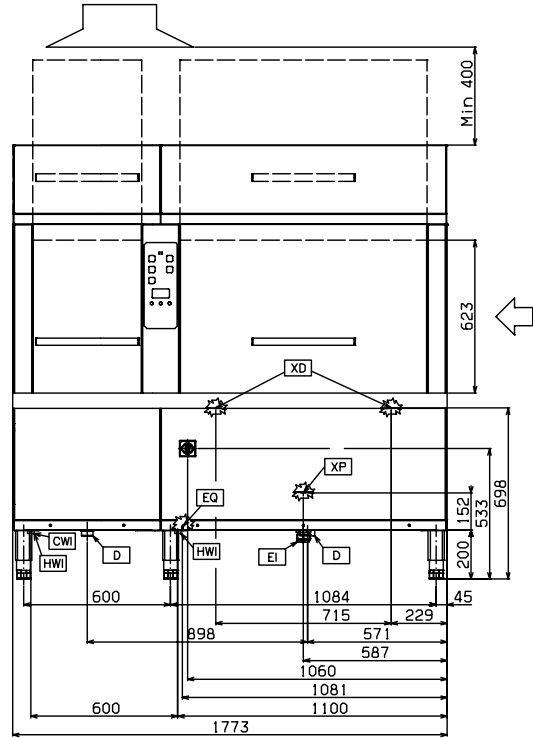
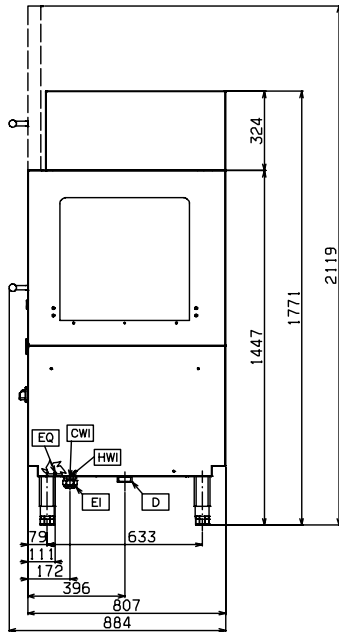
Subject to change without notice

Internet: <http://www.electrolux.com/foodservice>

www.TotalCommercialEquipment.com.au 08 8363 5282

**Electrolux Dishwashing
 Rack Type WTM140**

534100, 534102



5956 543 00

IEBA010

2009-07-03

Subject to change without notice

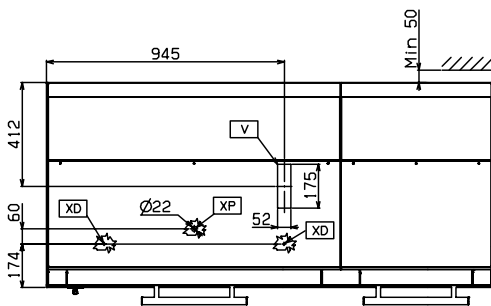
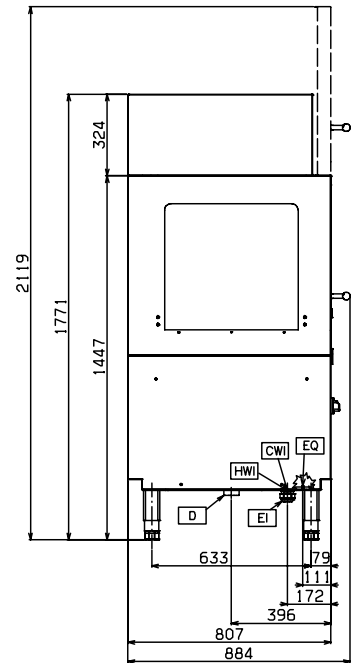
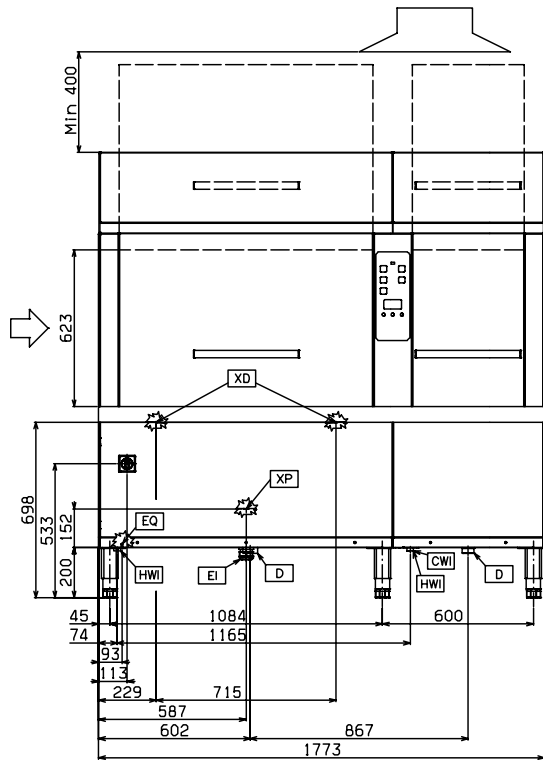
LEGEND	WTM140ERA 534100	WTM140ERB 534102
	CWI - Cold water inlet	G 3/4"
D - Water drain	G 1 1/2"	G 1 1/2"
EI - Electrical connection	400 V, 3N, 50	400 V, 3N, 50
EQ - Equipotential screw	●	●
HWI - Hot water inlet	G 3/4"	G 3/4"
V - Condensation outlet	●	
XP - Connection for detergent dispenser	●	●
XP - Connection for detergent probe	●	●

www.TotalCommercialEquipment.com.au 08 8363 5282

Internet: <http://www.electrolux.com/foodservice>

**Electrolux Dishwashing
Rack Type WTM140**

534101, 534103



5956 542 00

IEBA010

2009-07-03

LEGEND	WTM140ELA 534101	WTM140ELB 534103
	CWI - Cold water inlet	G 3/4"
D - Water drain	G 1 1/2"	G 1 1/2"
EI - Electrical connection	400 V, 3N, 50	400 V, 3N, 50
EQ - Equipotential screw	●	●
HWI - Hot water inlet	G 3/4"	G 3/4"
V - Condensation outlet	●	●
XP - Connection for detergent dispenser	●	●
XP - Connection for detergent probe	●	●

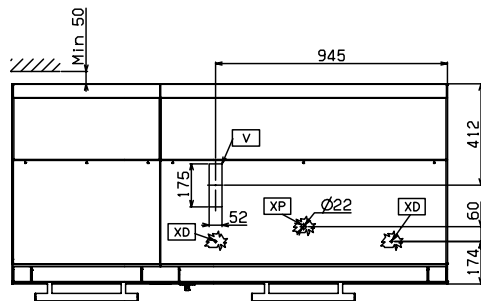
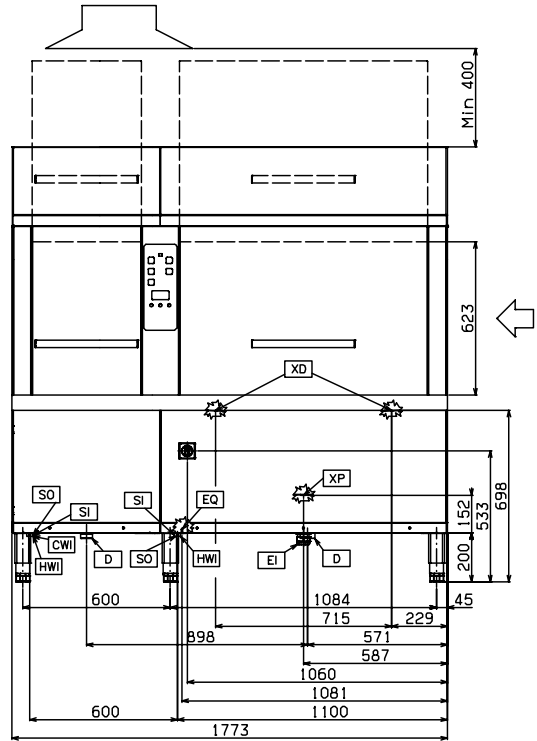
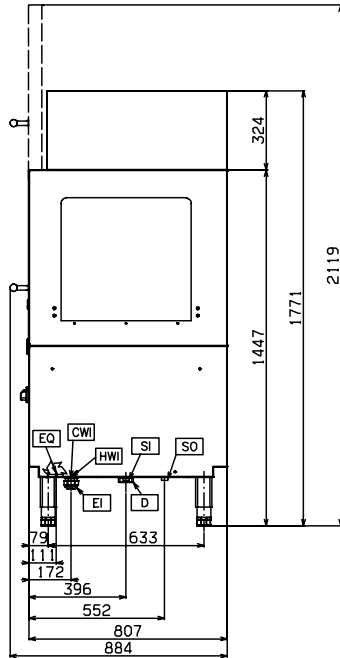
www.TotalCommercialEquipment.com.au 08 8363 5282

Internet: <http://www.electrolux.com/foodservice>

Subject to change without notice

**Electrolux Dishwashing
Rack Type WTM140**

534124



5956 631 00

IEBA010

2009-07-03

WTM140SRA 534124	
LEGEND	
CWI - Cold water inlet	G 3/4"
D - Water drain	G 1 1/2"
EI - Electrical connection	400 V, 3N, 50
EQ - Equipotential screw	●
HWI - Hot water inlet	G 3/4"
SI - Steam inlet	ISO-G 3/4" F
SO - Steam condenser	ISO-G 3/4" F
V - Condensation outlet	●
XP - Connection for detergent dispenser	●
XP - Connection for detergent probe	●

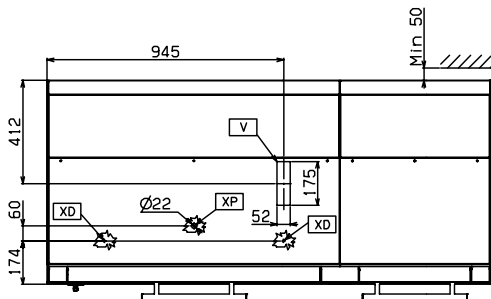
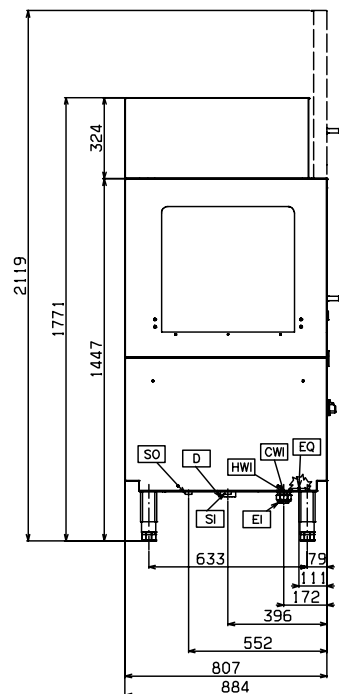
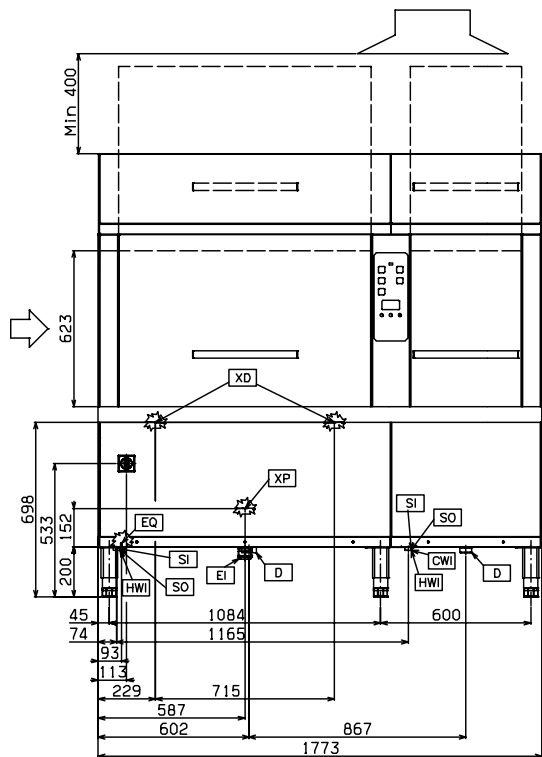
www.TotalCommercialEquipment.com.au 08 8363 5282

Internet: <http://www.electrolux.com/foodservice>

Subject to change without notice

**Electrolux Dishwashing
Rack Type WTM140**

534125



5956 630 00

WTM140SLA 534125	
LEGEND	
CWI - Cold water inlet	G 3/4"
D - Water drain	G 1 1/2"
EI - Electrical connection	400 V, 3N, 50
EQ - Equipotential screw	●
HWI - Hot water inlet	G 3/4"
SI - Steam inlet	ISO-G 3/4" F
SO - Steam condenser	ISO-G 3/4" F
V - Condensation outlet	●
XP - Connection for detergent dispenser	●
XP - Connection for detergent probe	●

IEBA010

2009-07-03

Subject to change without notice