

KENTMASTER OPERATOR'S MANUAL

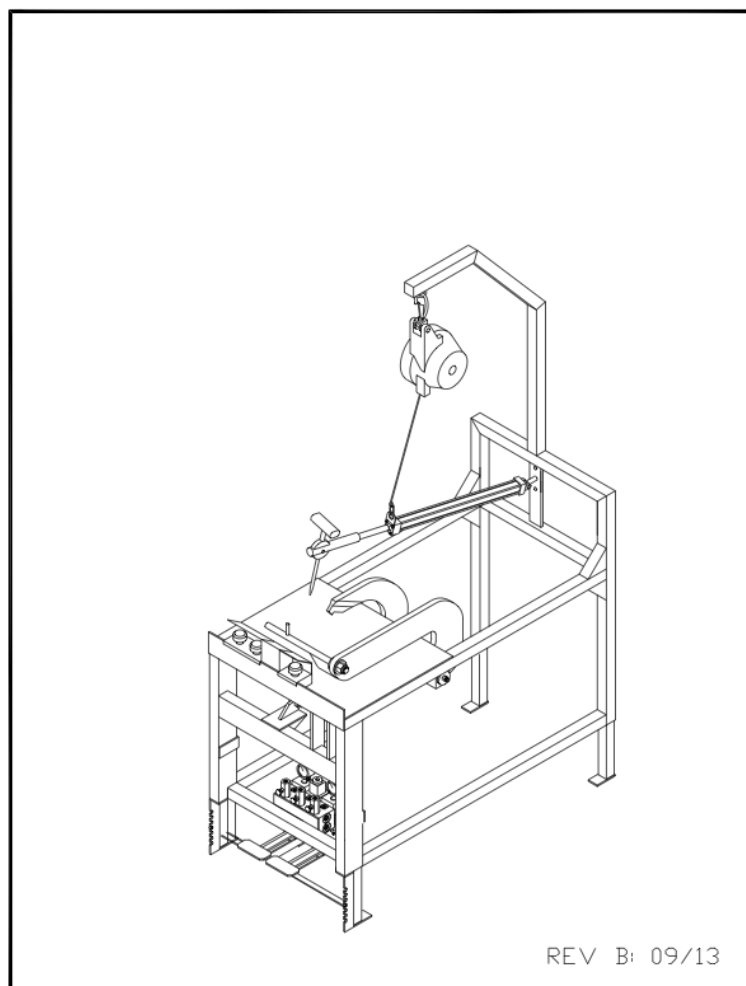
INCLUDING: OPERATION, INSTRUCTION, INSTALLATION, MAINTENANCE AND PARTSBOOK




**IMPORTANT: READ THIS MANUAL CAREFULLY BEFORE INSTALLING,
OPERATING OR SERVICING THIS TOOL.**

Beef Head Chisel Table
















TOOL DATA

MODEL: BHT-3
ASSEMBLY NO. 1151000
TYPE: HYDRAULIC OPERATED
NET WEIGHT: 600 LBS (300 KG)
HYDRAULIC PRESSURE: 1000 P.S.I. (70 BARS)
AIR PRESSURE REQUIREMENTS: 90P.S.I. (6 BARS)



 WARNING	= Hazards or unsafe practices which could result in severe personal injury, death or substantial property damage.
 CAUTION	= Hazards or unsafe practices which could result in minor personal injury, product or property damage.
 NOTICE	= Important installation, operation or maintenance information.

OPERATING AND SAFETY INSTRUCTIONS

-  **WARNING** DO NOT OPERATE THIS TOOL UNTIL YOU HAVE READ AND UNDERSTOOD THE SAFETY INSTRUCTIONS AND OPERATING MANUALS.
-  **WARNING** DO NOT OPERATE THIS TOOL UNTIL YOU HAVE RECEIVED TRAINING IN THE HANDLING, OPERATION AND USE OF THIS TOOL.
-  **WARNING** STOP USING A MALFUNCTIONING OR DEFECTIVE TOOL IMMEDIATELY. REPORT ANY PROBLEMS OR DEFECTS TO YOUR SUPERVISOR FOR REMOVAL OF THE TOOL FROM SERVICE.
-  **WARNING** DO NOT ATTEMPT TO REPAIR THE TOOL YOURSELF.
-  **WARNING** DO NOT ALLOW UNAUTHORIZED PERSONS TO USE TOOL.
-  **WARNING** REMOVE AND DISCONNECT POWER FROM THE TOOL WHEN TOOL IS LEFT UNATTENDED OR IS NOT IN USE.
-  **WARNING** NEVER TIE DOWN, BYPASS, ALTER OR MODIFY THE ACTIVATING SWITCHES OR TRIGGERS OF THIS TOOL.
-  **WARNING** NEVER MAKE ALTERATIONS OR MODIFICATIONS TO THIS TOOL.
-  **WARNING** BE CONSTANTLY AWARE AND ALERT FOR UNSAFE CONDITIONS AND REPORT THEM IMMEDIATELY TO YOUR SUPERVISOR.
-  **WARNING** NEVER PLACE YOUR HAND OR ANY PART OF YOUR BODY IN THE CUTTING PATH OF THE TOOL.
-  **WARNING** NEVER ALLOW ANYONE ELSE TO PLACE THEIR HANDS OR ANY PART OF THEIR BODY IN THE CUTTING PATH OF THE TOOL.
-  **WARNING** DO NOT ACTIVATE CONTROL SWITCHES OR TRIGGERS OF THIS TOOL UNLESS YOU INTEND TO TEST OR OPERATE THIS TOOL.
-  **WARNING** DO NOT USE THIS TOOL FOR ANY PURPOSE OTHER THAN IT'S INTENDED PURPOSE.
- WHEN OPERATING THIS TOOL WEAR THE PROTECTIVE GEAR AND SAFETY EQUIPMENT SUPPLIED TO YOU.
-  **CAUTION**
-  **WARNING** THE NOISE EMISSION (SOUND PRESSURE LEVEL) AT THE WORKSTATION MAY EXCEED 80 dB (A). EAR AND SOUND PROTECTION GEAR IS REQUIRED.

OPERATING INSTRUCTIONS

**WARNING**

ONLY TRAINED PERSONNEL ARE TO OPERATE THIS TOOL.

1. TO ENSURE TOOL IS OPERATING PROPERLY, PERFORM FOLLOWING STEPS AT START OF EACH SHIFT:
 - MAKE SURE TOOL MOVES UP AND DOWN FREELY WHILE HANGING FROM BALANCER OVERHEAD.
 - WITH POWER TO TOOL TURNED ON, TEST BUTTONS FOR PROPER OPERATION.
 - DEPRESS EACH BUTTON SEPARATELY.

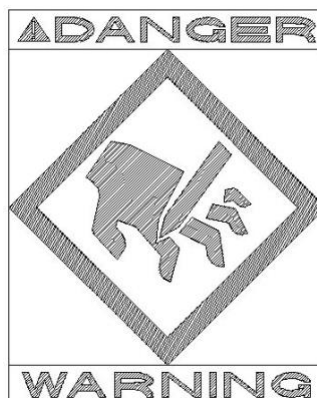
MAINTENANCE

ONLY TRAINED AND QUALIFIED PERSONNEL ARE TO PERFORM MAINTENANCE AND SERVICE TO THIS TOOL.

1. MAKE ALL NECESSARY LINE CONNECTIONS TO THE TOOL.
2. AN AIR FILTER-REGULATOR-LUBRICATOR (PART NO. 7200030) MUST BE INSTALLED IN AIR SUPPLY
3. FILL LUBRICATOR WITH KENTMASTER AIR MIST OIL (PART NO. 7903050). SET DRIP RATE ACCORDING TO INSTRUCTIONS SUPPLIED. TURN ADJUSTMENT ON SIGHT FEED DOME TO INCREASE/DECREASE OIL DELIVERY. MONITOR THE DEVICE BEING LUBRICATED AND READJUST IF NEEDED.
4. TOOL REQUIRES GREASING AT START OF EACH SHIFT. GREASE FOUR (4) LOCATIONS USING KENTMASTER GREASE GUN (PART NO. 4501470) AND GREASE (PART NO. 7903070).
5. TOOL REQUIRES 40 S.C.F.M. OF AIR @ 90 P.S.I. AIR PRESSURE.
6. FLUSH AIR MOTOR AT END OF EACH DAY'S USE BY SQUIRTING A FEW SQUIRTS OF KENTMASTER AIR OIL MIST (PART 7903050) DIRECTLY INTO THE AIR INLET PORT. RUN TOOL A FEW SECONDS TO COAT AND PROTECT THE AIR MOTOR AND INTERNAL PARTS OF TOOL
7. A BALANCER IS REQUIRED FOR OPERATION AND USE OF THIS TOOL. WEIGHT OF TOOL MUST FALL WITHIN WEIGHT RANGE OF BALANCER.

SERVICE

1. KEEP GOOD RECORDS OF ALL SERVICE ACTIVITY AND INCLUDE TOOL IN PREVENTIVE MAINTENANCE PROGRAM.
2. USE ONLY GENUINE KENTMASTER REPLACEMENT PARTS TO ASSURE PROPER PERFORMANCE OF TOOL.
3. CONTACT THE KENTMASTER SUPPLIER NEAREST YOU FOR PARTS AND CUSTOMER SERVICE INFORMATION.



PARTS BOOK

Figure 1 HEAD LOCK PARTS BREAK DOWN

<p>KENTMASTER MFG. CO., INC. 4417 SOUTH 139 STREET OMAHA, NE 68137 (800) 367-3181 (402) 896-3325 (402) 896-3311 fax</p>	<p>TITLE: BEEF HEAD LOCK PARTS BREAK DOWN</p> <p>SHEET: 3 OF 5 DWG. BY: TRAVIS ROECKER</p> <p>SCALE:</p> <p>DATE: 1-9-96</p>	<p>MATERIAL:</p> <p>SIZE:</p> <p>REQ'D</p> <p>REF. NO.: BHT3</p>	<p>TOLEANCE UNLESS OTHERWISE SPECIFIED</p> <p>FRACTION DECIMAL ANGLE</p> <p>$\frac{1}{32}$.03125 \pm .0005</p> <p>CONCENTRICITY SQUARE WITHIN PARALLEL WITHIN .005 IN .005 /FT.</p> <p>UNDRIVE SURFACE FINISH 125 RMS OR BETTER</p> <p>BREAK ALL SHARP EDGES, REMOVE ALL BURRS</p> <p>CHAMFER ALL ENDS .015 X 45</p>
--	--	--	--

PART #	DESCRIPTION	REQ'D	PART #	DESCRIPTION	REQ'D
701611	LUBE FITTING	3	383505	BUSHING	1
516103	SNAP RING	2	785031	ROD CLEVIS	1
785006	CYLINDER	1	600577	CLEVIS PIN	1
600575	CLEVIS PIN	1			
516102	SNAP RING	2			
6006871	SHAFT	1			
373001	BEARING	2			
833617	SET SCREW	1			
600651	HEAD LOCK	1			

REV B: 09/13

Figure 2 BEEF JAW PULLER PARTS BREAK DOWN

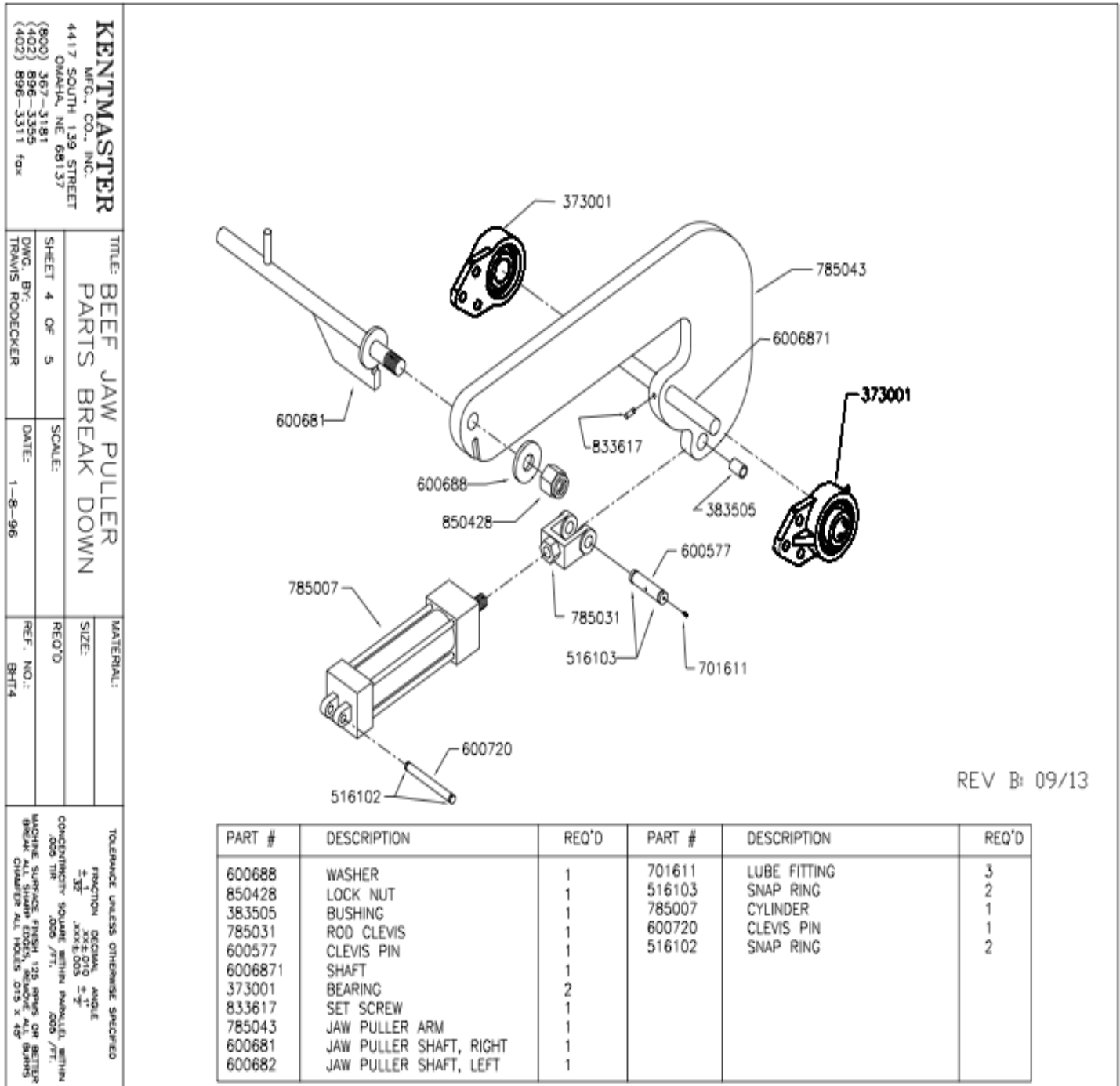
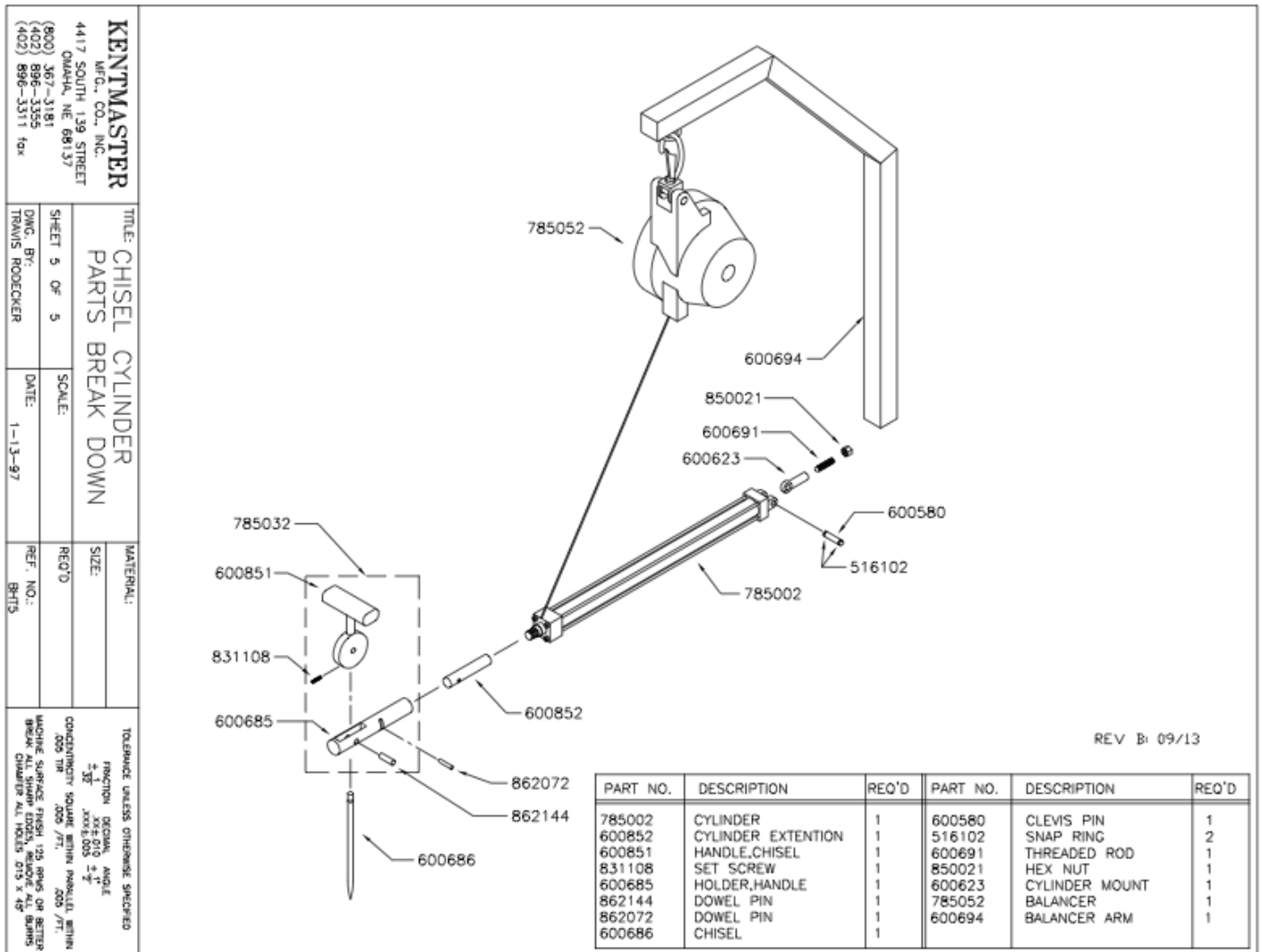
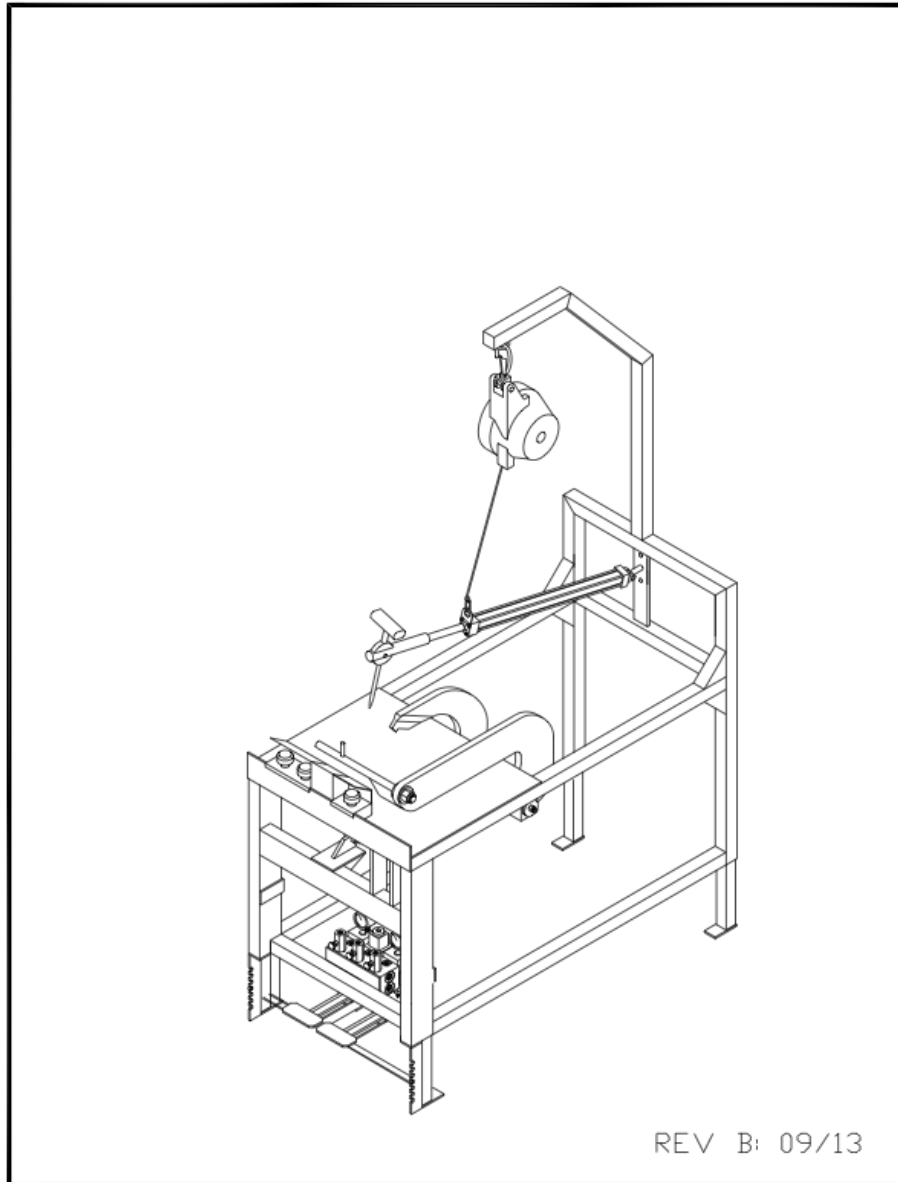


Figure 3 Chisel Cylinder Parts Break Down.



[ENGLISH]

GENERAL INFORMATION

REV B: 09/13

SERVICE CENTERS**KENTMASTER EQUIPMENT (AUST)**

UNIT 2/24 CENTRAL COURT
 HILLCREST, QUEENSLAND, 4118
 AUSTRALIA

☎ TELEPHONE: +61 7 3806.8400
 FAX: +61 7 3806 7933
 E-MAIL: sales@kentmaster.com.au

KENTMASTER MFG. CO., INC.

1801 SOUTH MOUNTAIN AVE.
 MONROVIA, CALIFORNIA 91016
 UNITED STATES OF AMERICA

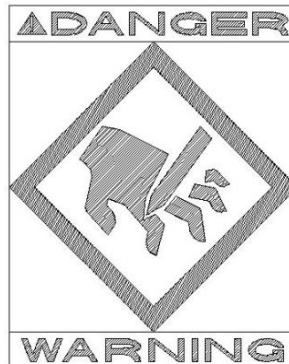
☎ TELEPHONE: (626) 359-8888
 FAX: (626) 303-5151
 E-MAIL: sales@kentmaster.com

KENTMASTER MFG. CO., INC. 1801 SOUTH MOUNTAIN AVE., MONROVIA, CALIFORNIA 91016 UNITED STATES OF AMERICA

☎ TELEPHONE: (626) 359-8888 FAX: (626) 303-5151

NOTICE TO EMPLOYER AND PURCHASER OF TOOL
NOTICE TO SAFETY DIRECTOR

You have purchased a powerful tool that, if misused, can cause severe injury and harm to your employees. You must instruct your employees in the safe and proper use of this tool and to follow the safety procedures and instructions that have been supplied by the manufacturer of this tool. Please follow the following instructions.



1. Instruct tool operators to test the tool each day before using it to be sure it does not malfunction. Remove and repair any tool that malfunctions.
2. Instruct tool operators to immediately stop using a tool that malfunctions or is defective.
3. Instruct personnel to immediately remove all tools that malfunction. Be sure to disconnect tool from power supply.
4. Instruct all personnel to stay clear of tool, and not to stand or walk in front of, or next to tool when in use.
5. Point out to all personnel the dangers related to the misuse of tool and the importance of following safety procedures and instructions.
6. Do not make, or allow others to make, alterations or modifications to this tool. Replace all lost or illegible labels.
7. Follow all safety, installation and maintenance instructions provided with this tool. Establish proper safety procedures in accordance with local and national requirements to prevent accidental energizing of tool that can cause injuries.
8. If this tool is sold or change in ownership takes place, you must provide the new owner all safety instructions, notices and maintenance instructions you were originally provided. You can obtain additional copies of the instructions from Kentmaster, free of charge upon request.
9. Give copies of instructions to: **(A) Tool Operators**
(B) Maintenance Supervisor
(C) Clean-up Supervisor

GENERAL INFORMATION

COVERING: SAFETY PRECAUTIONS AND PLACING INTO SERVICE

READ THIS MANUAL CAREFULLY BEFORE INSTALLING, OPERATING OR SERVICING THIS TOOL

IT IS THE RESPONSIBILITY OF THE EMPLOYER TO PLACE THIS INFORMATION INTO THE HANDS OF THE OPERATOR.

PLACING INTO SERVICE

⚠ WARNING

= Hazards or unsafe practices which could result in severe personal injury, death or substantial property damage.

⚠ CAUTION

= Hazards or unsafe practices which could result in minor personal injury, product or property damage.

⚠ NOTICE

= Important installation, operation or maintenance information.

⚠ WARNING

Installation, adjustment repair and maintenance of this tool must be made by trained and qualified personnel.

⚠ WARNING

Always disconnect power supply from tool before:

- (A) Installing or removing blade from tool.
- (B) Making repairs or adjustments to the tool.
- (C) performing maintenance or cleanup work.

INSTALLATION INSTRUCTIONS

⚠ WARNING

ONLY TRAINED AND QUALIFIED PERSONNEL ARE TO PERFORM MAINTENANCE AND SERVICE TO THIS TOOL.

8. MAKE ALL NECESSARY LINE CONNECTIONS TO THE TOOL.
9. AN AIR FILTER-REGULATOR-LUBRICATOR (PART NO. 7200030) MUST BE INSTALLED IN AIR SUPPLY
10. FILL LUBRICATOR WITH KENTMASTER AIR MIST OIL (PART NO. 7903050). SET DRIP RATE ACCORDING TO INSTRUCTIONS SUPPLIED. TURN ADJUSTMENT ON SIGHT FEED DOME TO INCREASE/DECREASE OIL DELIVERY. MONITOR THE DEVICE BEING LUBRICATED AND READJUST IF NEEDED.
11. TOOL REQUIRES GREASING AT START OF EACH SHIFT. GREASE FOUR (4) LOCATIONS USING KENTMASTER GREASE GUN (PART NO. 4501470) AND GREASE (PART NO. 7903070).
12. TOOL REQUIRES 40 S.C.F.M. OF AIR @ 90 P.S.I. AIR PRESSURE.
13. FLUSH AIR MOTOR AT END OF EACH DAY'S USE BY SQUIRTING A FEW SQUIRTS OF KENTMASTER AIR OIL MIST (PART 7903050) DIRECTLY INTO THE AIR INLET PORT. RUN TOOL A FEW SECONDS TO COAT AND PROTECT THE AIR MOTOR AND INTERNAL PARTS OF TOOL
14. A BALANCER IS REQUIRED FOR OPERATION AND USE OF THIS TOOL. WEIGHT OF TOOL MUST FALL WITHIN WEIGHT RANGE OF BALANCER.
15. INSTALL BALANCER ABOVE WORK AREA. BALANCER MUST HAVE SUFFICIENT VERTICAL TRAVEL SO OPERATOR CAN REACH ENTIRE WORK AREA WITH TOOL WITHOUT STRAIN.
16. ADJUST BALANCER ACCORDING TO THE OPERATOR'S PREFERENCE AND COMFORT.

DECLARATION OF CONFORMITY**DECLARATION OF CONFORMITY**DECLARATION DE CONFORMITE -DECLARACION DE CONFORMIDAD- ERKLARUNG BEZUGLICH EINHALTUNG DER VORSCHRIFTEN
DICHIARAZIONE DI CONFORMITA . CONFORMITEITSVERKLARING**MANUFACTURED BY:**FABRIQUE PAR:
FABRICADA POR:
HERGESTELLTVON:
FABBRICATO DA:
VERVAARDIGD DOOR:**KENTMASTER MFG CO., INC.**1801 SOUTH MOUNTAIN AVE.
MONROVIA, CALIFORNIA 91016
UNITED STATES OF AMERICA
TELEPHONE (626) 359-8888 FAX (626) 303-5151**TYPE / SERIES: Beef Head Chisel Table with Jawbone Puller**TYPE / SERIE:
TIPO / SERIE:
TYP / SERIE:
TIPO / SERIE:
TYPE / SERIE:**MODEL: BHT-3**MODELE:
MODELO:
MODELL:
MODELLO:
MODEL:**SERIAL NO. RANGE: XXXXX**

N SERIE: • GAMA DE No. DE SERIE: • SERIEN-NR.-BEREICH: • NUMERI DI SERIE: • SERIENUMMERS:

This product complies with the following European Community Directives:Ce produit est conforme aux directives de la Communauté européenne suivantes:
Este producto cumple con las siguientes Directrices de la Comunidad Europea:
Dieses Produkt erfüllt die folgenden Vorschriften der Europäischen Gemeinschaft:
Questo prodotto e conforme alle seguenti direttive CEE:
Dit produkt voldoet aan de volgende EG-richtlijnen:**89/392/EEC, 91/368/EEC, 93/44/EEC, 93/68/EEC****The following Standards were used to verify compliance with the Directives:**Les normes suivantes ont été utilisées pour vérifier la conformité avec les Directives:
Las siguientes Normas se usaron para verificar el cumplimiento de las Directrices:
Folgende Normen wurden angewandt, um Erfüllung der Vorschriften zu bestätigen:
Per verificare la conformità del prodotto alle direttive sono stati usati i seguenti standard:
De volgende normen zijn gebruikt om naleving van de richtlijnen te bevestigen:**EN 292****Approved by:** _____

RALPH KARUBIAN MONROVIA, CA. U.S.A

(Engineering Manager) (Directeur technique) (gerente de ingeniería) (verantwortlicher Konstruktionsleiter) (Responsabile tecnico) (ondersteunend technisch mangar)

Date: AUG - 1 - 1995

INDEX

PARTS BOOK.....4
GENERAL INFORMATION.....9
INSTALLATION INSTRUCTIONS9
MAINTENANCE19
OPERATING INSTRUCTIONS20
SERVICE20
DECLARATION OF CONFORMITY10
INDEX11
FIGURES - INDEX.....11
Kentmaster Worldwide Locations.....13

FIGURES - INDEX

Kentmaster Worldwide Location

Kentmaster Equipment (Aust) PTY.LTD.

Unit 2,24 Central Court
Hillcrest, Qld. 4118
Australia

Telephone: (07) 3806-8400
Fax: (07) 3806-7933

sales@kentmaster.com.au

Kentmaster do Brasil, Ltda.

Av. Dr. Joao Teodoro No. 805
Bairro De Vila Rezende
13405-240 Piracicaba, SP,
Brazil

Telephone #1: (019) 3 413 3113
Telephone #2: (019)983-4973
Fax: (019) 3 413 3113

vendas@kentmaster.com.br

Kentmaster (IRL) LTD.

Benamore, Dublin Road.
Roscrea,
CO, Tipperary,
Ireland

Telephone: (353) 0505-23292
Fax: (353) 0505-23299

ireland@kentmaster.com

Kentmaster Equipment (NZ) LTD.

5 Cooper Street
Havelock North
New Zealand

Telephone: (64) 6 8352 471

Fax: (64) 6 8777 858

newzealand@kentmaster.com

Kentmaster South Africa (PTY) LTD.

Johannesburg - S. Africa
Unit 54 Sunnyrock Park
Sunrock Close, Germiston
South Africa

Telephone: (27) 11-455-3748

Fax: (27) 11-455-3749

southafrica@kentmaster.com

Kentmaster (UK) LTD.

301 Hartlebury Trading Estate
Kidderminster, Worcestershire
DY10 4JB, UK
England

Telephone: (44) 01299 253394

Fax: (44)-01299 251271

uk@kentmaster.com

Kentmaster Mfg. Co., Inc.

1801 South Mountain Ave.
Monrovia, CA, 91016
USA

Telephone #1: (626) 359-8888

Telephone #2: (800) 421-1477

Fax: (626) 303-5151

info@kentmaster.com

Kentmaster Omaha

4417 South 139th Street
Omaha, NE, 68137
USA

Telephone #1: (402) 896-3355

Telephone #2: (800) 367-3181

Fax: (402) 896-3311

omaha@kentmaster.com

Kentmaster Meat Processing equipment (Beijing) Co., Ltd

凯马斯特肉类加工设备（北京）有限公司

Room 117, building 6, No.28, Linhe avenue, Linhe industrial development zone, Shunyi district,
Beijing, China

北京市顺义区林河工业区林河大街28号6幢117室

Phone: +86 188 888 23139

Fax: 010 89496968

Email 邮箱: nereus.mei@kentmaster.com

Kentmaster Argentina

San Lorenzo 3501

(1636) Olivos, Buenos Aires

Argentina

Phone: +54 11 47900044

Fax: +54 11 4711 7274

ventas@kentmaster.com.ar