



**ET-2217**



**PET-2217**

(PoE) Ethernet I/O Module with 8/16-ch Analog Inputs

## Features

- Built-in Web Server
- Support Modbus TCP/UDP, MQTT, and SNMP V2c Protocols
- 2-port Ethernet Switch (LAN Bypass) for Daisy-Chain Wiring
- Dual Watchdog
- I/O Pair Connection (Push and Pull)
- Built-in I/O
- 8 Differential or 16 Single-ended Analog Inputs



## Introduction

The ET-2217/PET-2217 is a module with 8-channel differential or 16 single-ended analog input module. The module provides a programmable input range on all Analog Input channels ( $\pm 150$  mV,  $\pm 500$  mV,  $\pm 1$  V,  $\pm 2.5$  V,  $\pm 5$  V,  $\pm 10$  V, 0 to 20mA, 4 to 20mA, and  $\pm 20$  mA). Each analog input channel can be configured for an individual input range, providing a high overvoltage protection of 120 VDC and 50mA overcurrent protection at 110 VDC/VAC. Voltage and current input is DIP switch selectable. The sampling rate of the ET-2217/PET-2217 is adjustable and can be set to either fast (200Hz) or normal (20Hz) mode. It can be used to record voltage and current information. The module also features per-channel open wire detection for 4 ~ 20 mA input and provides 4 kV ESD/EFT protection, 2 kV Surge protection, and 3000 VDC intra-module isolation.

## System Specifications

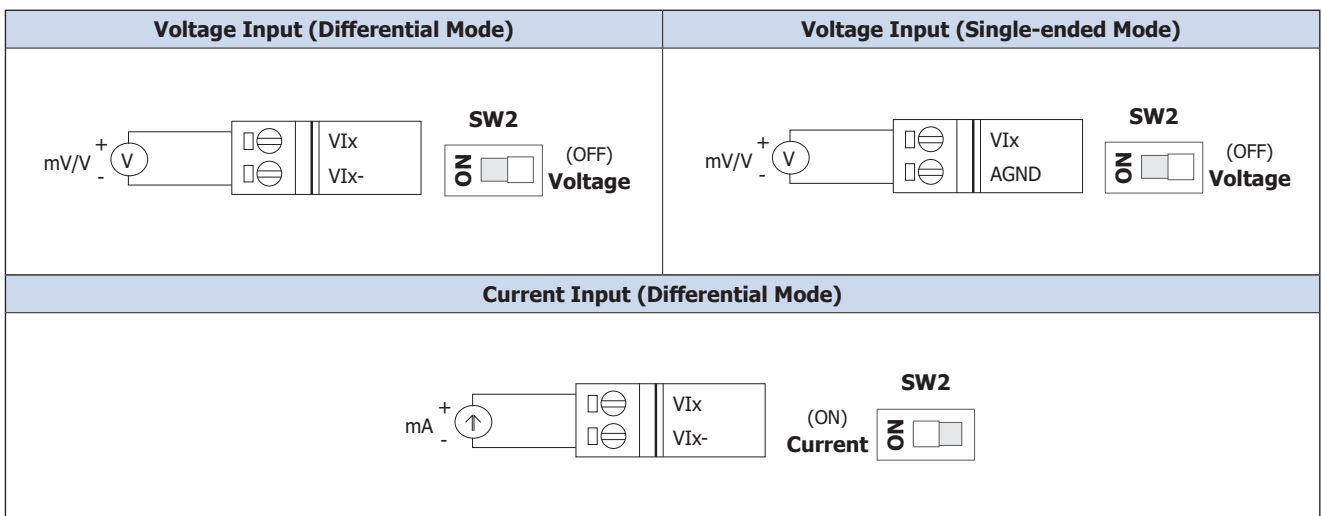
| Model                       | ET-2217   | PET-2217             |
|-----------------------------|---|----------------------|
| <b>Software</b>             |   |                      |
| Built-in Web Server         | Yes   |                      |
| <b>CPU Module</b>           |   |                      |
| CPU                         | 32-bit ARM  |                      |
| Watchdog Timer              | Module, Communication (Programmable)                                    |                      |
| <b>Isolation</b>            |   |                      |
| 2-way Isolation             | Ethernet: 1500 VDC, I/O: 3000 VDC                                       |                      |
| <b>EMS Protection</b>       |   |                      |
| EFT (IEC 61000-4-4)         | $\pm 4$ kV for Power Line   |                      |
| ESD (IEC 61000-4-2)         | $\pm 4$ kV Contact for Each Terminal<br>$\pm 8$ kV Air for Random Point |                      |
| Surge (IEC 61000-4-5)       | $\pm 2$ kV for Power Line   |                      |
| <b>LED Indicators</b>       |   |                      |
| Status                      | Run, Ethernet   | Run, Ethernet, PoE   |
| <b>Ethernet</b>             |   |                      |
| Ports                       | 2 x RJ-45, 10/100 Base-Tx, Switch Ports                                 |                      |
| PoE                         | -   | Yes                  |
| LAN bypass                  | Yes   |                      |
| Security                    | Password and IP Filter  |                      |
| Protocol                    | Modbus TCP, Modbus UDP, MQTT, and SNMP V2c                              |                      |
| <b>Power</b>                |   |                      |
| Reverse Polarity Protection | Yes   |                      |
| Consumption                 | 3.3 W (max.)  | 3.5 W (max.)         |
| Powered from PoE            | -   | IEEE 802.3af, Class1 |
| Powered from Terminal Block | +10 to +48 VDC  |                      |
| <b>Mechanical</b>           |   |                      |
| Casing                      | Metal   |                      |
| Dimensions (mm)             | 33 x 127 x 117 (W x L x H)  |                      |
| Installation                | DIN-Rail mounting / Wall mounting (Optional ASO-0015)                   |                      |
| <b>Environment</b>          |   |                      |
| Operating Temperature       | -25 to +75°C  |                      |
| Storage Temperature         | -40 to +80°C  |                      |
| Humidity                    | 10 to 90% RH, Non-condensing  |                      |

## I/O Specifications

| Model                            | ET-2217  |   | PET-2217 |  |
|----------------------------------|--|---|----------|--|
| <b>Analog Input</b>              |  |   |          |  |
| Channels                         | 8 Differential or 16 Single-ended                                |   |          |  |
| Type                             | Voltage, Current<br>(DIP switch selectable - see <b>Note 1</b> ) |   |          |  |
| Range                            | Voltage  | ±150 mV, ±500 mV, ±1 V, ±2.5 V, ±5 V, ±10 V |          |  |
|                                  | Current  | ±20 mA, 0 ~ +20 mA, +4 ~ +20 mA             |          |  |
| Resolution                       | 16-bit   |   |          |  |
| Accuracy                         | Normal Mode  | ±0.1% of FSR                                |          |  |
|                                  | Fast Mode  | ±0.5% of FSR                                |          |  |
| Sampling Rate                    | Normal Mode  | 20 Hz (total channels)                      |          |  |
|                                  | Fast Mode  | 200 Hz (total channels)                     |          |  |
| Input Impedance                  | Voltage  | 2 MΩ (Differential), 1 MΩ (Single-ended)    |          |  |
|                                  | Current  | 137 Ω (Differential)                        |          |  |
| Common Voltage Protection        | ±200 VDC   |   |          |  |
| Overvoltage Protection           | 120 VDC  |   |          |  |
| Individual Channel Configuration | Yes  |   |          |  |
| Open Wire Detection              | For 4 to 20 mA only  |   |          |  |

**Note 1:** Differential wiring can be used for both voltage input and current input. Single-ended wiring can only be used for voltage input.

## Wire Connections



## Pin Assignments

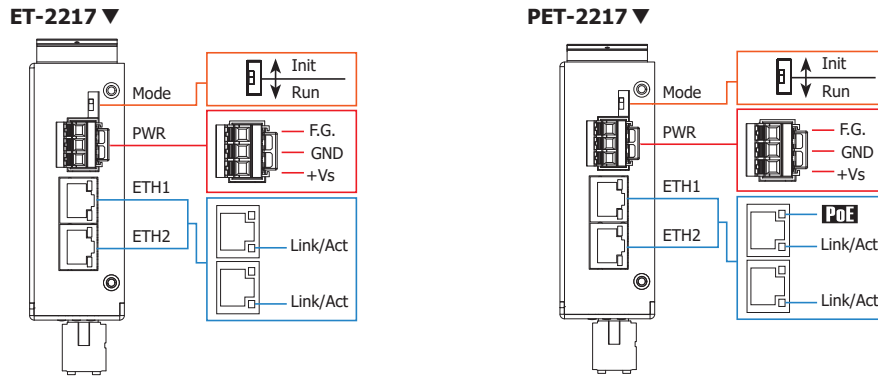
| Port | Pin Assignment |
|------|----------------|
| SW1  | Init<br>Run    |
| PWR  | F.G.           |
|      | GND            |
|      | + Vs           |
| ETH1 |                |
| ETH2 |                |

| Pin Assignment | SW2 | Pin Assignment |
|----------------|-----|----------------|
| I0             |     | V0             |
| I1             |     | V1             |
| I2             |     | V2             |
| I3             |     | V3             |
| I4             |     | V4             |
| I5             |     | V5             |
| I6             |     | V6             |
| I7             |     | V7             |

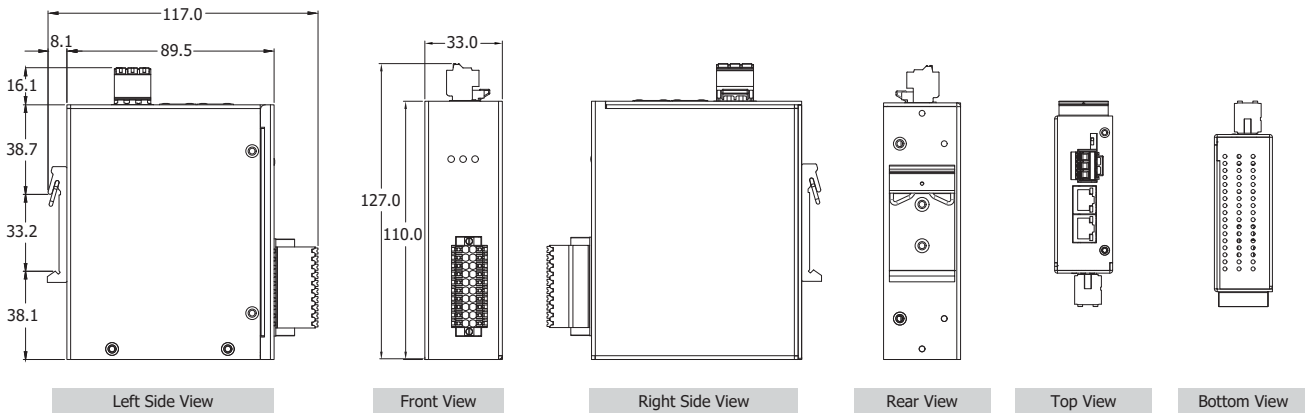
| Pin Assignment | Terminal No. | Pin Assignment |
|----------------|--------------|----------------|
| VI0            | 01           | 02 VI0-/VI8    |
| VI1            | 03           | 04 VI1-/VI9    |
| VI2            | 05           | 06 VI2-/VI10   |
| VI3            | 07           | 08 VI3-/VI11   |
| VI4            | 09           | 10 VI4-/VI12   |
| VI5            | 11           | 12 VI5-/VI13   |
| VI6            | 13           | 14 VI6-/VI14   |
| VI7            | 15           | 16 VI7-/VI15   |
| AGND           | 17           | 18 AGND        |
| AGND           | 19           | 20 AGND        |

20-pin Connector

## Appearance



## Dimensions (Units: mm)

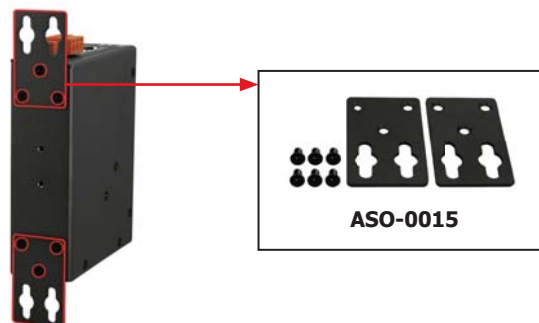


## Ordering Information

|                    |  |
|--------------------|--|
| <b>ET-2217 CR</b>  | Ethernet I/O Module with 2-port Ethernet Switch, 8/16-ch Analog Input (RoHS)     |
| <b>PET-2217 CR</b> | PoE Ethernet I/O Module with 2-port Ethernet Switch, 8/16-ch Analog Input (RoHS) |

## Accessories

|                    |                                  |
|--------------------|----------------------------------|
| <b>ASO-0015 CR</b> | Wall Mount Kit (W: 28 mm) (RoHS) |
|--------------------|----------------------------------|



(P)ET-2000+ASO-0015