



Denver Linear LED High Bay

The Denver High bay range is a modular, linear style high bay luminaire designed for hi-rack installations seen in modern warehouse applications. Offered in a range of optimised optics to ensure minimal light wastage, the Denver high bay range has an option to suit your project.

The range incorporates three sizes and 7 wattage options with a range of optics to suit most modern industrial applications.

Application

With a die-cast aluminium construction offering IP66 and IK10, and a temperature range of -30° to 50°, the Denver High-bay range is suited to a large range of applications:

Interior and Exterior applications, warehousing, industrial and exhibition halls.



Design Specifications

- 155lm/W high efficiency LED technology
- LED lifetime:
 - L70 @ 131,000 hours
 - L80 @ 82,000 hours
 - L90 @ 40,000 hours
- Low glare LED optimised optics: Narrow, wide and multiple isle optics available
- High efficiency polycarbonate lens
- **Available Options:**
 - 4000K CCT
 - CRI80
 - Suspension mounted (standard)
 - Ceiling/surface mount
 - Adjustable surface mount with 60° of adjustability
 - Plug and play motion sensor

Model No. & Technical Specification

Model No.	Description	Power (W)	Luminous Efficacy (lm/W)	Colour Temp. (K)	Lumens (lm)	Beam Angle (°)	CRI	Mass (kg)
IDV10050N	Denver linear LED high-bay, IP66, IK10, non-dimmable	100	155	5000	15500	60100	70	3.5
IDV15050N	Denver linear LED high-bay, IP66, IK10, non-dimmable	150	155	5000	23250	60100	70	3.7
IDV20050N	Denver linear LED high-bay, IP66, IK10, non-dimmable	200	155	5000	31000	60100	70	6.7
IDV24050N	Denver linear LED high-bay, IP66, IK10, non-dimmable	240	155	5000	37200	60100	70	6.8
IDV30050N	Denver linear LED high-bay, IP66, IK10, non-dimmable	300	155	5000	46500	60100	70	7.8
IDV40050N	Denver linear LED high-bay, IP66, IK10, non-dimmable	400	155	5000	62000	60100	70	10.7
IDV48050N	Denver linear LED high-bay, IP66, IK10, non-dimmable	480	155	5000	72000	60100	70	11.1

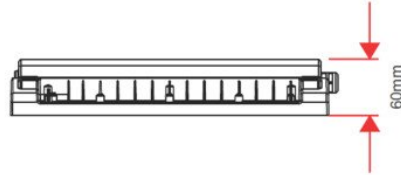
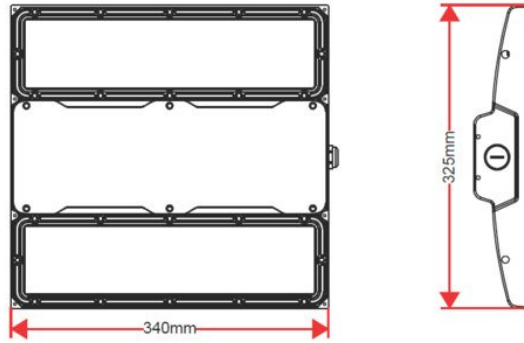


Due to continued product and technology enhancements, data sourced from salcommercial.net.au shall not form part of any contract and or performance guarantee unless expressly confirmed in writing by SAL at the time of order. Products are sold in accordance with [SAL Commercial Terms and Conditions of sale](#) and all images shown are for illustration purposes only and may vary from the actual colour or finish.

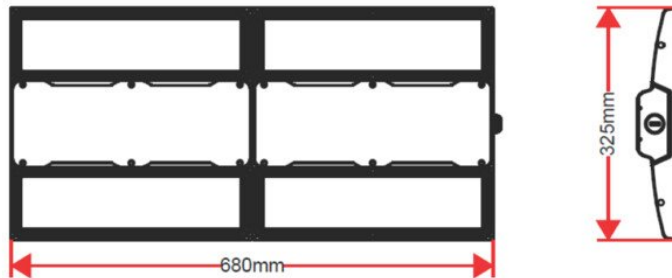
Dimensions



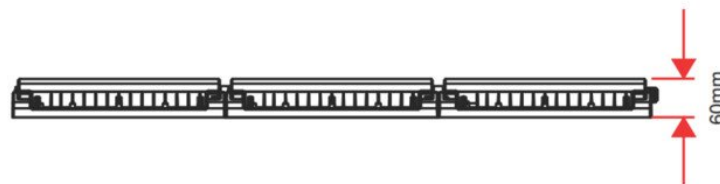
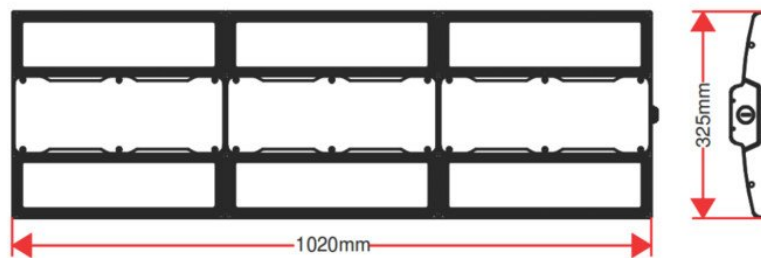
100w
150w



200w
240w
300w



400w
480w





Product Images

