

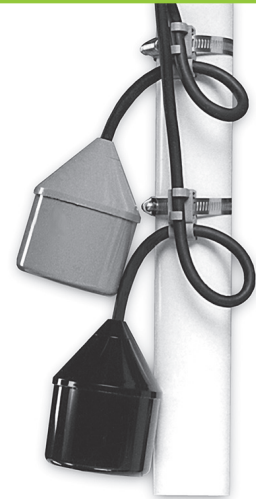
DOUBLE FLOAT® Pump Switch

Mercury activated, wide-angle switch designed to control pumps up to 1 HP at 120 VAC and 2 HP at 230 VAC.

This mercury activated, wide-angle pump switch provides automatic control of pumps in non-potable water and sewage applications. It is well-suited for confined applications requiring an accurate pumping range. It is not sensitive to rotation or turbulence. This switch is voltage sensitive - use with correct voltage.

The **Double Float®** pump switch consists of two floats and a splice tube. Each float contains a heavy-duty mercury switch. The splice tube contains a holding relay which enables the floats to function in series.

The holding relay eliminates pump chatter in turbulent conditions allowing the **Double Float®** pump switch to operate relay control panels for larger pump applications.



SPECIFICATIONS

- Controls pumps up to 1 HP at 120 VAC and 2 HP at 230 VAC.
- Adjustable pumping range of 1.75 to 48 inches (4.45 to 122 cm) with increased pumping range up to 6 feet (1.8 meters) available.
- In standard cable lengths of 15, 20, or 30 feet and 5 or 10 meters (longer lengths available).
- UL Recognized for use in non-potable water and sewage.
- **CABLE ATTACHED TO FLOAT HOUSING:** flexible 14 gauge, 2 conductor (UL, CSA) SJOW, water-resistant (CPE)
- **CABLE ABOVE SPLICE:** flexible 14 gauge, 3 conductor (UL, CSA) SJTW, water-resistant thermoplastic
- **FLOAT:** 3.38 inch diameter x 4.55 inch long (8.58 cm x 11.5 cm), high impact, corrosion resistant, PVC housing for use in sewage and non-potable water up to 140° F (60° C)
- **MERCURY SWITCH:** mercury-to-mercury contacts, hermetically sealed in a steel capsule.
- CSA Certified.



ELECTRICAL:

Voltage 50Hz/60Hz Single Phase	Max. Pump Run Current	Max. Pump Start Current	Recommended Pump HP
120 VAC	15 amps	55 amps	1 HP or less
230 VAC	12 amps	35 amps	2 HP or less

NOTE: This switch must be used with pumps that provide integral thermal overload protection.

OTHER INFORMATION

PUMP DOWN is normally open contacts for emptying.

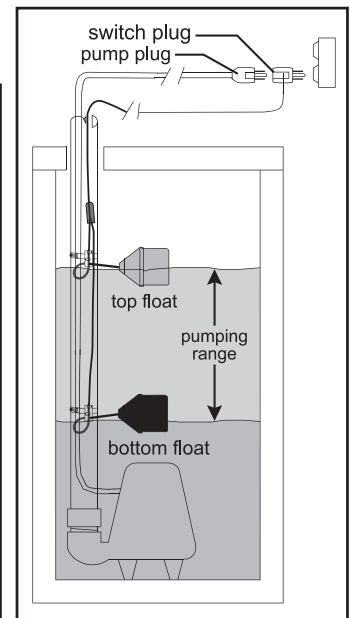
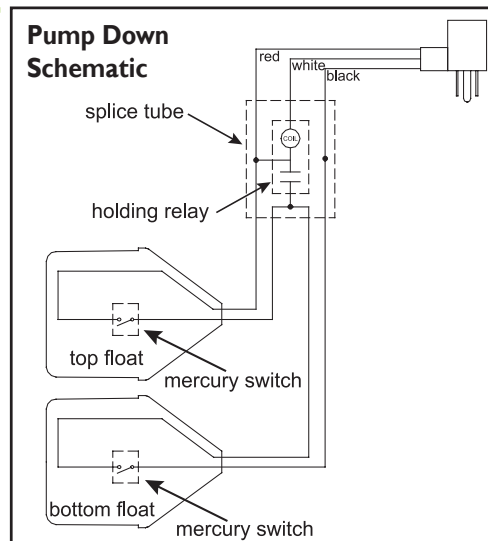
PUMP UP is normally closed contacts for filling.

DIRECT WIRING

120 VAC units used for direct wiring (without plug) can **only** be used with **120 VAC** applications within specified amp ratings.

230 VAC units used for direct wiring (without plug) can **only** be used with **230 VAC** applications within specified amp ratings.

PACKAGING Boxed - standard



Ordering Information

RBS Stock Code		Description
P/Up	P/Down	
3710555	3710565	Double Float, 10mtr, No Plug



9500113G 10/19
© 2018 SJE, Inc. All Rights Reserved.
SJE RHOMBUS is a trademark of SJE, Inc.

*The data provided above is for information purposes only and no warranty of accuracy or reliability is given.
Ross Brown Sales Pty Limited reserves the right to change or modify this data without prior notice.*