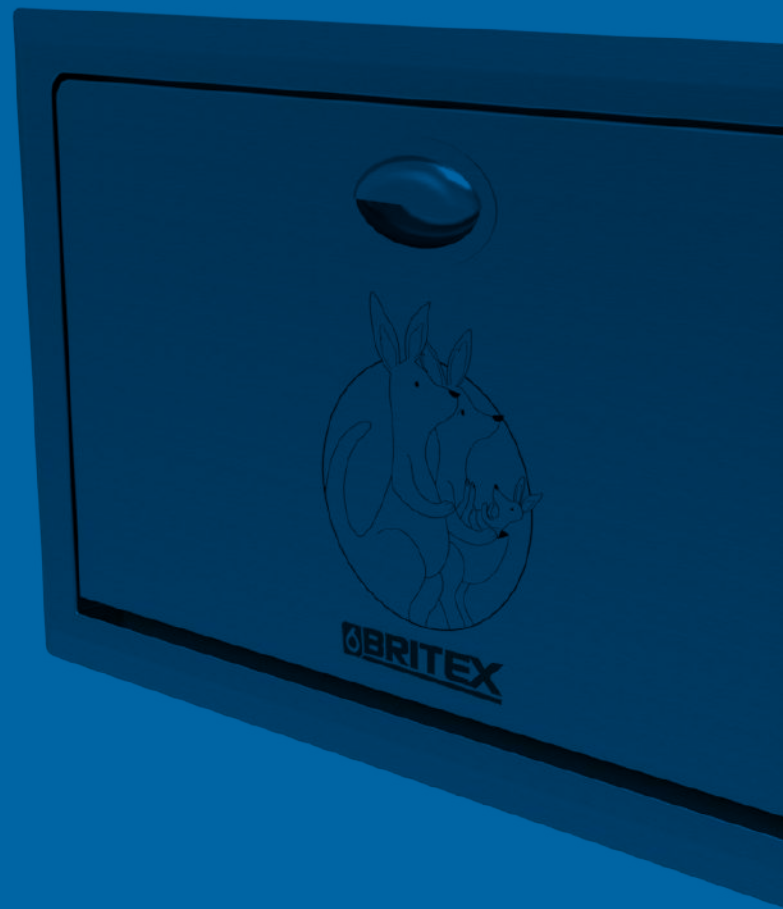


# BRITEX

## BABY CHANGE TABLES

Project Guide | [britex.com.au](http://britex.com.au)



**MELBOURNE**  
Britex Place Mirra Crt  
Bundoora VIC 3083  
t (03) 9466 9000  
e [vic@britex.com.au](mailto:vic@britex.com.au)

**SYDNEY**  
16 Northumberland Drv  
Taren Point NSW 2229  
t (02) 9531 2100  
e [nsw@britex.com.au](mailto:nsw@britex.com.au)

**PERTH**  
Unit 1/8 Principal Link  
Malaga WA 6090  
t (08) 9249 5464  
e [wa@britex.com.au](mailto:wa@britex.com.au)

**BRISBANE**  
19 Manilla St  
East Brisbane QLD 4169  
t (07) 3363 2400  
e [qld@britex.com.au](mailto:qld@britex.com.au)

**ADELAIDE**  
The Britex Group  
SA State Office  
t 1300 764 744  
e [sa@britex.com.au](mailto:sa@britex.com.au)

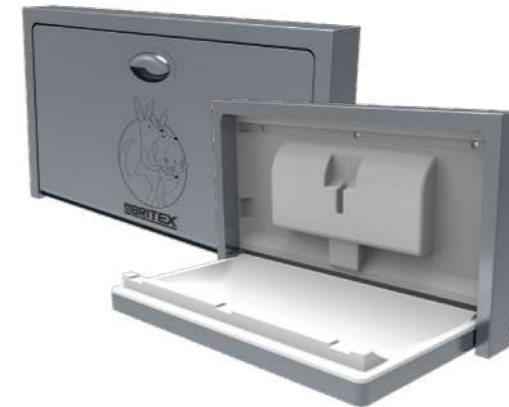
[britex.com.au](http://britex.com.au) | [sales@britex.com.au](mailto:sales@britex.com.au) | A.B.N 83 004 309 737



# Product Range

\*Click on the codes below for technical information

## Stainless Steel



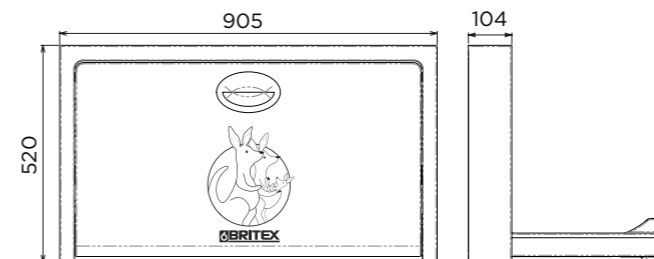
### BTX-09-012

#### Surface Mounted Stainless Steel Baby Change Table

Hygienic brushed 304 grade stainless steel exterior with antibacterial HDPE interior for reduced risk of contamination.

#### Features:

- Surface mounted model
- Easy to open and close
- Adjustable restraint safety belt fitted with click lock mechanism
- Concave change area for easy cleaning and maintenance
- Robust and tamper proof, vandal resistant construction
- Bag Holders on Front Corners
- Usage instruction and safety label inside unit
- Suitable for up to 20kg use



### BTX-09-013

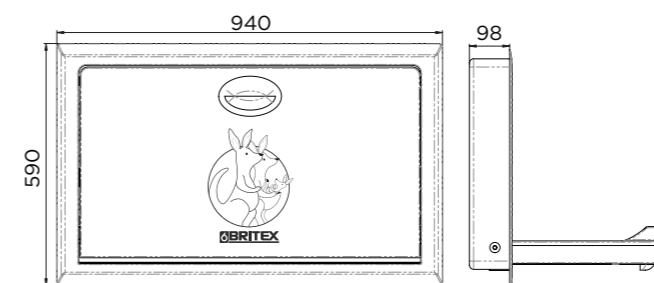
#### Recessed Stainless Steel Baby Change Table

Hygienic brushed 304 grade stainless steel exterior with antibacterial HDPE interior for reduced risk of contamination.

**Recommended Cut Out Size: 905mm x 530mm**

#### Features:

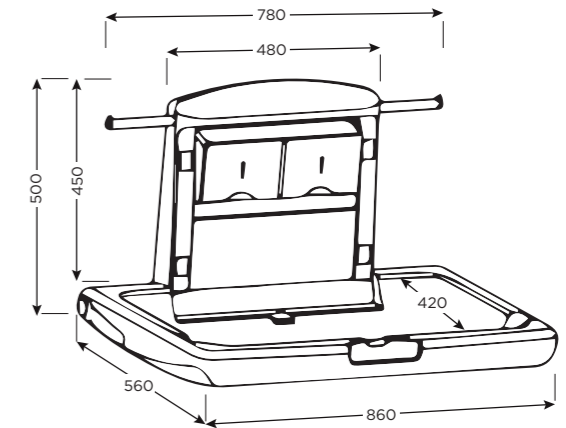
- Space saving recessed models
- Easy to open and close
- Adjustable restraint safety belt fitted with click lock mechanism
- Concave change area for easy cleaning and maintenance
- Robust and tamper proof, vandal resistant construction
- Bag Holders on Front Corners
- Usage instruction and safety label inside unit
- Suitable for up to 20kg use



# Product Range

\*Click on the codes below for technical information

## Antibacterial HDPE

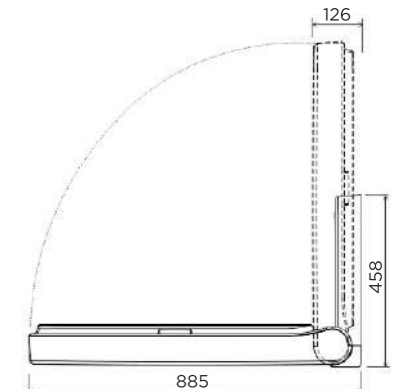
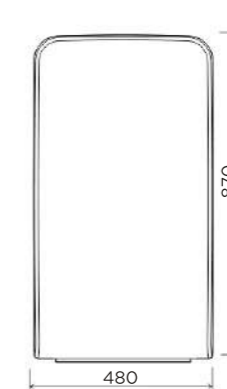


**BTX-09-014**  
Horizontal HDPE Baby Change Table

Britex HDPE Horizontal Baby Change Tables are anti microbial and easy to clean. The ergonomic design provides convenient, one-handed opening and easy reach hooks are built in for convenient placement of diaper bags. The unit includes an integrated liner dispenser and is suitable for up to 20kg use.

**Features:**

- Built in easy-to-service liner dispenser
- Built in bag hooks
- Antimicrobial materia inhibits the growth of odour and stain causing bacteria reducing the risk of contamination.
- Smooth, crevice free design with large radius corners makes the unit easy to clean and maintain.



**BTX-09-015**  
Vertical HDPE Baby Change Table

Britex HDPE Vertical Baby Change Tables are anti microbial and easy to clean. The ergonomic space saving design provides convenient, one-handed opening. The unit is suitable for up to 20kg use.

**Features:**

- Space saving ergonomic design
- Antimicrobial materia inhibits the growth of odour and stain causing bacteria reducing the risk of contamination.
- Smooth, crevice free design with large radius corners makes the unit easy to clean and maintain.



**MELBOURNE**  
Britex Place Mirra Crt  
Bundoora VIC 3083  
t (03) 9466 9000  
e vic@britex.com.au

**SYDNEY**  
16 Northumberland Drv  
Taren Point NSW 2229  
t (02) 9531 2100  
e nsw@britex.com.au

**PERTH**  
Unit 1/8 Principal Link  
Malaga WA 6090  
t (08) 9249 5464  
e wa@britex.com.au

**BRISBANE**  
19 Manilla St  
East Brisbane QLD 4169  
t (07) 3363 2400  
e qld@britex.com.au

**ADELAIDE**  
The Britex Group  
SA State Office  
t 1300 764 744  
e sa@britex.com.au

britex.com.au | sales@britex.com.au | A.B.N 83 004 309 737