



SSF093 & SSF150 FLAKE ICE MAKERS



SSF093 & SSF150

- Compact granular ice ideal for use by restaurants, seafood wholesalers and retailers, food service areas, vegetable growers and wholesalers, laboratories
- 18/8 grade stainless steel cabinets with integrated food grade polyethylene storage bin



SSF093 & SSF150 CUBE ICE MAKERS

Specifications

Power

Voltage – 240-50Hz

Amps – SSF093 2.5 – SSF150 3.0

Refrigerant

R452A

Shipping Dimensions

SSF093 55x71x92cm (67kg)

SSF150 78x74x113cm (105kg)

Water Supply Requirements

3/4" BSP male stop cock 

Drainage

Floor waste within 1 metre of machine

Note! Must be below machine outlet

Ice Making Capacity (kg/24hours)

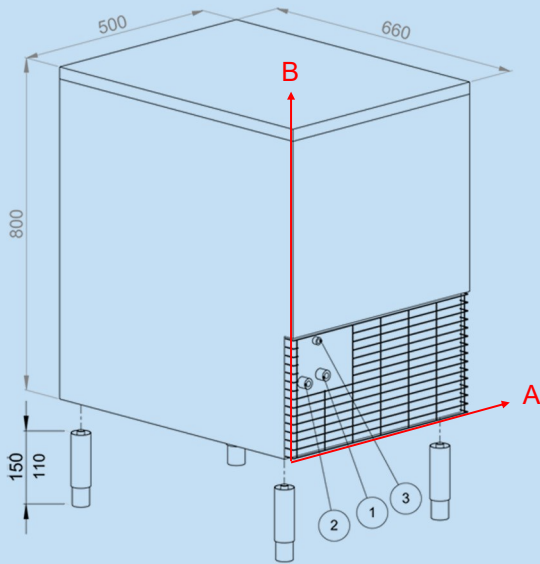
	Production	Storage
SSF093	90	30

SSF150	150	55
--------	-----	----

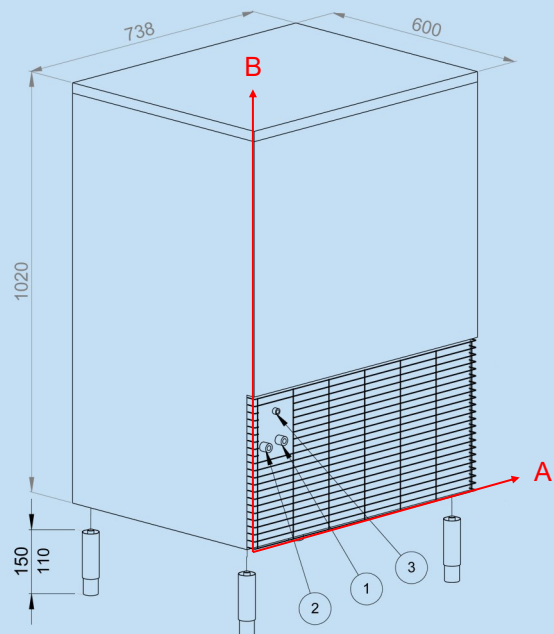
	Water In (1)		Drainage (2)		Power In (3)	
	A	B	A	B	A	B

SSF093	99	158	48	151	87	230
--------	----	-----	----	-----	----	-----

SSF150	104	247	53	240	92	319
--------	-----	-----	----	-----	----	-----



SSF093



SSF150

Continuing product improvement may necessitate changes of specifications without notice.

Distributed By

For more information or the name
of your local sales agent call:

Stuart Manufacturing

1 Jayelem Crescent Padstow NSW 2211

Sales 1300 301 380 • General Enquiries 02 9773 3711

Facsimile 02 9773 4400 • Email ice@stuman.com.au

Website www.stuman.com.au