

Kistler Maschinen
und Anlagenbau GmbH
Mackstrasse 84

D-88348 Bad Saulgau, Germany
Tel +49 (0) 75 81 4 88 82-0 Fax
+49 (0) 75 81 4 88 82-22
info@kistler-machine.de
www.kistler-machine.de

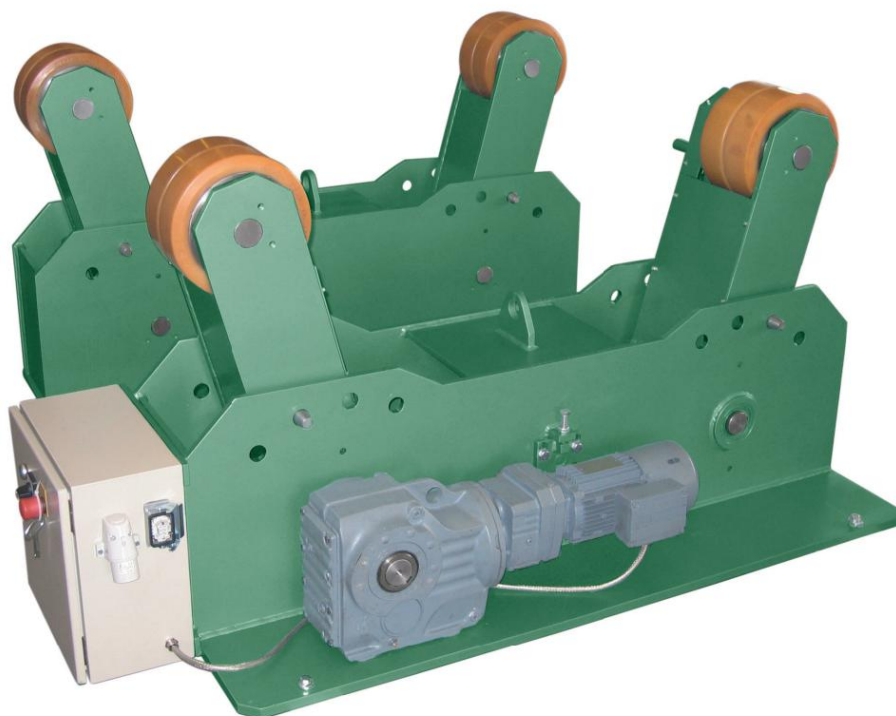


DESCRIPTION

The RS range turning rolls are used for turning of work pieces, mainly for welding. A set of turning rolls consists of one drive and one idler unit, the load capacity is calculated for this set-up. Roller distance to accommodate various diameters is set manually. Standard rollers are equipped with rubber, Polyurethane or Vulkollan wheels, optional wheel surface steel is available on request. Standard turning speed is adjustable from 0 mm/min up to 1500 mm/min. All models can be equipped with manual or motorized bogies (option). Machines can be equipped with various controls e.g. foot switch, hand pendant or control within welder's shield.

DESCRIPTION

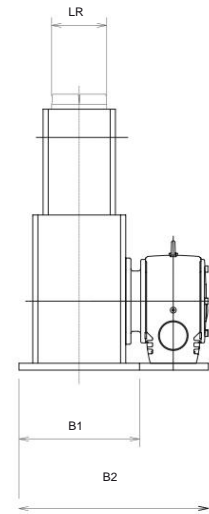
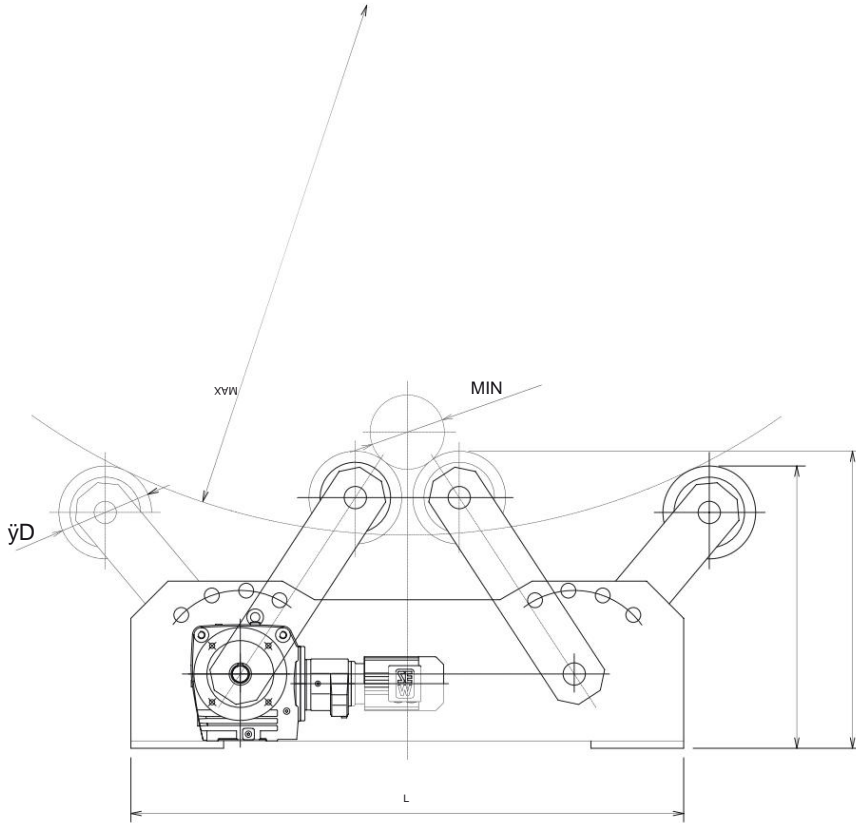
Container turning devices from the RS series are used for turning workpieces during welding. A device consists of a drive unit and an idle unit. The distance between the rollers is manually adjustable to accept different workpiece diameters. Standard wheels are coated with solid rubber, polyurethane or Vulkollan; steel wheels can be supplied as a special version. The standard rotation speed is adjustable from 0 mm/min to 1500 mm/min. The machines can optionally also be supplied with a manual or motorized chassis. Foot switches, handheld pendant or protective shield controls are available as control devices. ~~Foot switches, handheld pendant or protective shield controls are available as control devices.~~ sind Fußtaster, Handbediengerät oder Schutzschild-Steuerung erhältlich.



RS RANGE

CONTAINER ROTATION DEVICES
TURNING ROLLS OF THE RS RANGE

**Kistler Maschinen
und Anlagenbau GmbH**
Mackstrasse 84
D-88348 Bad Saulgau, Germany
Tel +49 (0) 75 81 4 88 82-0 Fax
+49 (0) 75 81 4 88 82-22
info@kistler-machine.de
www.kistler-machine.de



Model	Capacity	min	max	Height H1	Height H2	Length L	Width Idler B1	Width Drive B2	Wheeldia D	Wheel Lenght LR	Wheel Material	Turning Speed	Weight Drive	Weight Idler
	kg											cm/min		
RS3	3000	100	2500	610	665	990	300	500	250	120	RUBBER	6-150	200	200
RS6	6000	100	3000	650	700	1350	450	700	250	160	RUBBER	6-150	300	300
RS10	10000	200	3500	760	800	1500	375	565	250	160	VULKOLLAN	6-150	400	400
RS15	15000	200	3500	750	800	1500	500	800	250	240	VULKOLLAN	6-150	530	530
RS20	20000	400	4000	800	900	1700	700	1000	250	320	VULKOLLAN	6-150	700	700
RS30	30000	500	4500	900	1000	1900	750	1150	250	360	VULKOLLAN	6-150	1000	1000

- Subject to design changes -

- We reserve the right to alter specifications without prior notice -

RS RANGE

CONTAINER ROTATION DEVICES
TURNING ROLLS OF THE RS RANGE