



Model: LE40SZSN20ATC-E2

Features

Non contact detection, safe and reliable;

ASIC design;

Perfect choice for metallic targets detection;

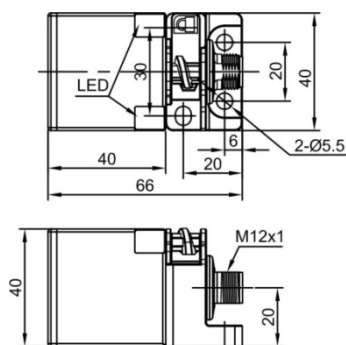
Part Number

AC 2 wires NO	LE40SZSF15ATO-E2	LE40SZSN20ATO-E2	AC 2 wires NC	LE40SZSF15ATC-E2	LE40SZSN20ATC-E2
---------------	------------------	------------------	---------------	------------------	------------------

Technical Specifications

Mounting	Flush	Non-flush	Leakage current [Ir]	≤3mA
Rated distance [Sn]	15mm	20mm	Circuit protection	...
Assured distance [Sa]	0...12mm	0...16mm	Output indicator	Power: yellow LED
Dimensions	40*40*66 mm		Ambient temperature	-25°C...70°C
Output	NO/NC(depends on part number)		Ambient humidity	35-95%RH
Supply voltage	20...250V AC/DC		Switching frequency [F]	20 Hz 20 Hz
Standard target	Fe 45*45*1t	Fe 60*60*1t	Voltage withstand	1000V/AC 50/60Hz 60s
Switch point offset [%/Sr]	≤±10%		Insulation resistance	≥50MΩ (500VDC)
Hysteresis range [%/Sr]	1...20%		Vibration resistance	10...50Hz (1.5mm)
Repeat accuracy [R]	≤3%		Degree of Protection	IP67
Load Current	≤300mA		Housing material	PBT
Residual Voltage	≤10V		Connection Type	M12 connector

Dimensions



Wiring Diagram

