

MANITEX VALLA 35 E



Electric battery operated Arm Lift Mobile Crane Max. Capacity **Kg. 3.500**



Valla	
OUTREACH (mm)	CAPACITY (kg)
1.000	2.000
3.000	700
5.000	400

TECHNICAL DATA

CRANE FRAME: Five wheels frame fabricated from preformed and welded steel plate with built-in counterweight.

TRACTION: by DC 3,3 kw 24V reversible electric motor, controlled by inverter, electro magnetic control on disk brake.

BATTERY: 24V 525Ah battery, battery meter on dashboard.

BRAKES: hydraulically controlled foot operating brake. Lever mechanically controlled parking brake.

STEERING: power steering with hydraulic motor and gear 180° (Orbitrol system). Safety valves and filter.

WHEELS: rear 1 solid tires 18 x 7 x 8"; front 4 solid tires 15 x 41/2 x 8 ".

BOOM: boom fabricated from preformed and welded quality steel plate. Five telescoping sections: 1 fixed; 2 hydraulically telescoping and 2 manually telescoping. Fitted with nylon wear pads adjustable wear pads on the sides.

BOOM CONTROL: Distributor by proportional levers.

LMI: Electronic Load Moment Indicator. Display showing lifted load, max allowed load, tilting percentage, operating radius, angle, telescope and light indicators on the operative mode.

TOTAL WEIGHT: approx. kg. 2.500 **MAX. CAPACITY:** kg. 3.500

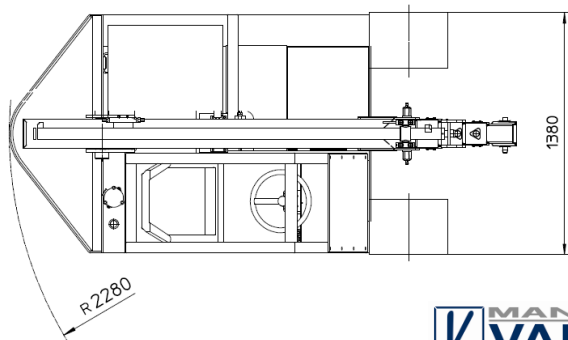
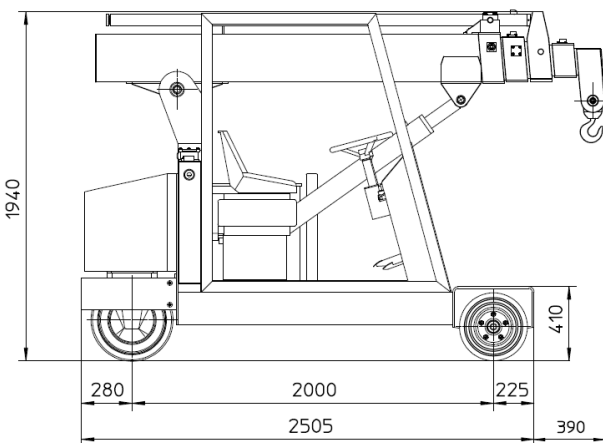
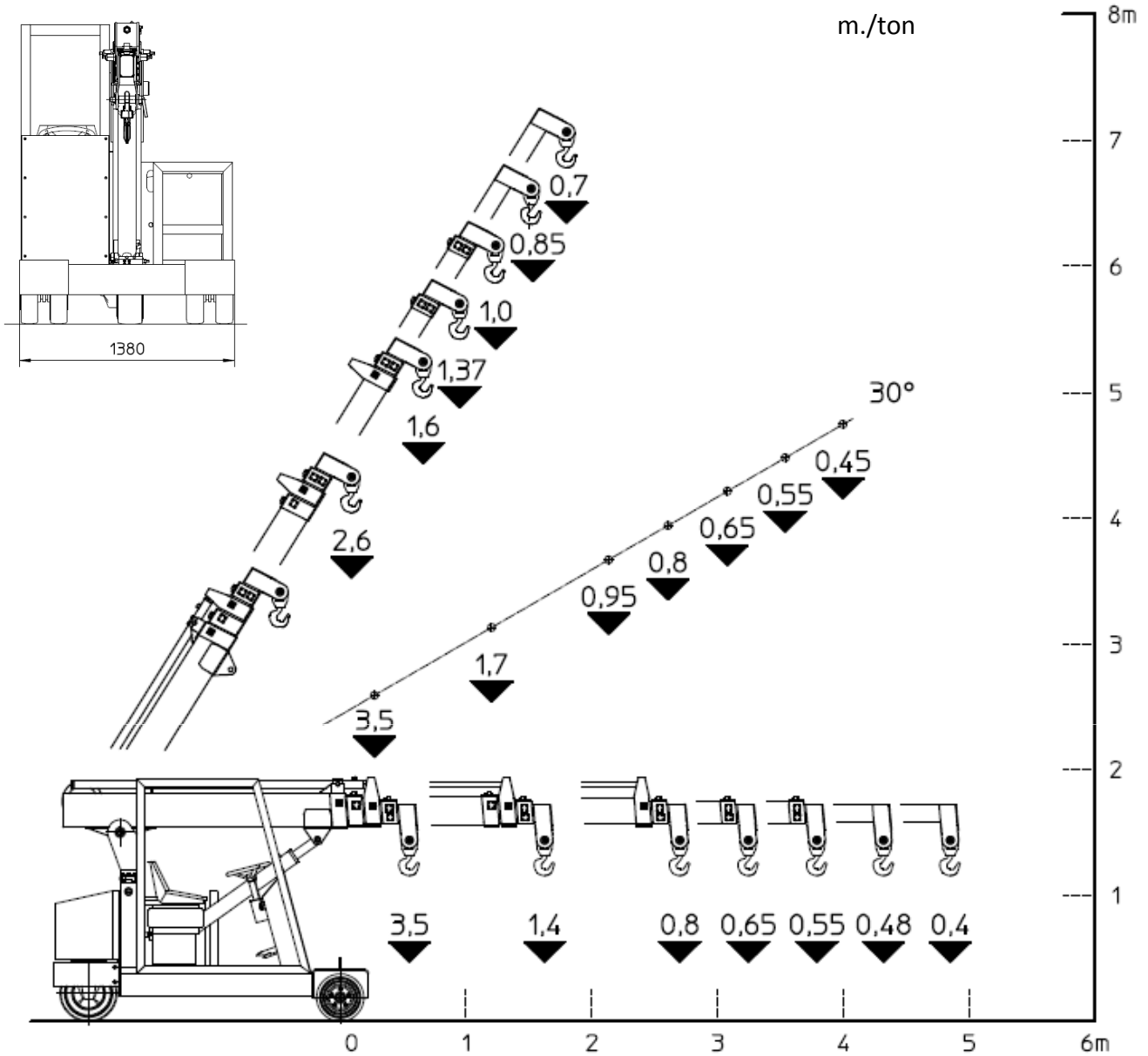
Options on request: hydraulic winch; chain hoists; carry-deck; battery charger (on board and stand-alone); manual and hydraulic jibs; cable remote control; radio remote control; working light; fire extinguisher; fully hydraulic boom.



MANITEX VALLA 35 E



The VALLA mobile crane mod. 35 E complies with the following standards:
 -2006/42/CE
 -UNIEN13000
 -I.S.P.E.S.L.



Data subject to be changed without any previous notice. Pictures may differ from technical description.



Valla – division of CVS Ferrari Srl
 Via Piacenza, 45 – 29010 Calendasco – Piacenza – ITALIA
 Tel. 0039 0523 762025 – 762004 – Fax 0039 0523 760531
 Internet: www.valla.com – email: info@valla.com