

WD-6 ERGONOMIC PASSTHROUGH DISHWASHER

STANDARD FEATURES:

- Washes up to 50 baskets per hour
- 2.5 litres per cycle water consumption
- 50 litre wash tank volume
- Unique hood designed for steam to escape at the back of machine
- Simple program selection – 3 levels of wash cycle for varying types of soiled products
- Auto Start function
- Electronic control panel with event log recording for diagnostics and trouble shooting
- Automatic cleaning program
- Self-draining wash arms for optimum wash results
- 0.9kW wash pump with 9kW booster heater
- Smooth internal surfaces for easy cleaning
- Stainless steel construction
- Corner or in-line installation
- Detergent and rinse aid pumps for liquid detergent
- Drain pump
- Supplied with 3 high quality dish racks for cups & plates
- Automatic hood lift

Upgrades and options are available, please contact Moffat for more details

TECHNICAL INFORMATION:

Dimensions

Width: 600mm
Depth: 657mm
Height: 1430mm

Water

Hot water temperature: 55-70°C
Hot water connection: R 1/2" Direct
Cold water temperature: 5-12°C
Cold water connection: R 1/2" Direct
Pressure: 180kPa
Flow: 18 litres per min
Water quality (Hardness): 2-7odH

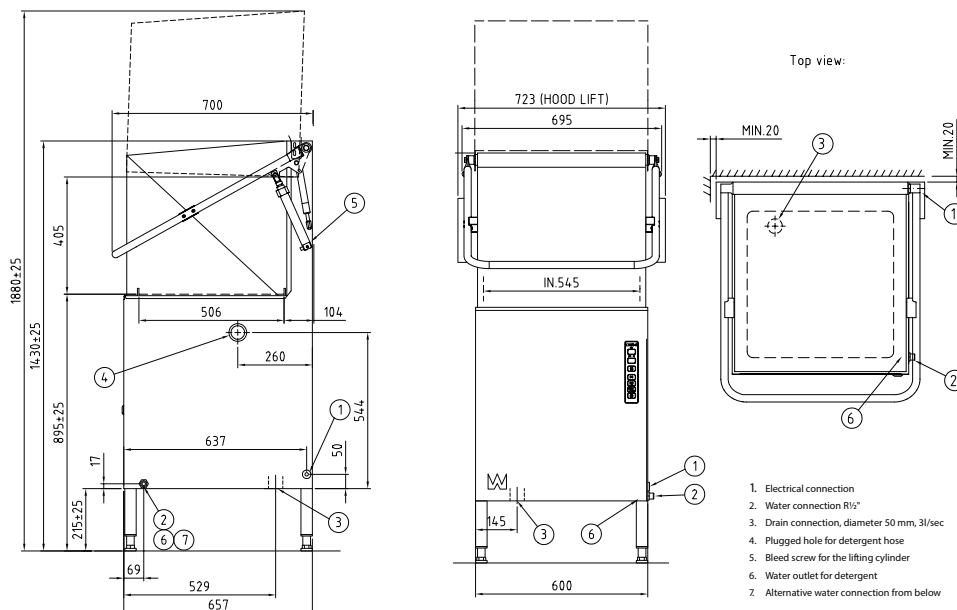
Waste

Drain hose connection point

Electrical

3P+N+E 400-415V 50/60Hz
9.9kW 16A Cordset supplied

Refer operator manual for complete installation instructions



Australia

moffat.com.au

Moffat Pty Limited
740 Springvale Road
Mulgrave
Victoria 3170
Australia
Telephone +613-9518 3888
Facsimile +613-9518 3833
vsales@moffat.com.au

New Zealand moffat.co.nz

Moffat Limited
45 Illinois Drive
Izone Business Hub
Rolleston 7675
New Zealand
Telephone +64 3-983 6600
Facsimile +64 3-983 6660
sales@moffat.co.nz

In line with policy to continually develop and improve its products, Moffat Limited reserves the right to change specifications and design without notice.