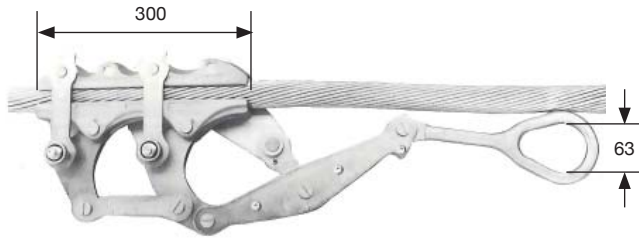


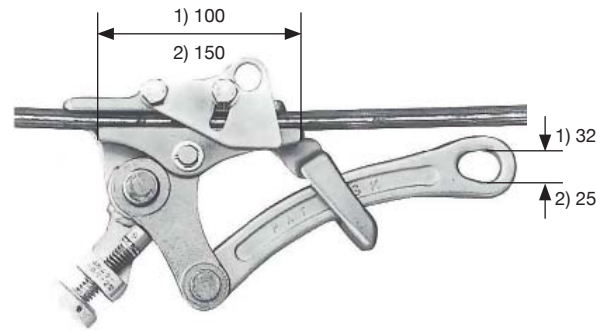
NGK WIRE GRIPS



10 tonne AL-Grip

Uses: Large size bare aluminium cable only. With safety latch.

Safe Working Load	Cable Range	Jaw Length	Weight kg
100kN (10.0t)	Ø 32-46	300	13
	Ø 42-52 (Option)		



Trolley Grip Type 1 & 2

Uses: For railway work, trolley cable, messenger wire, wire rope and copper cable. With safety latch.

Safe Working Load	Min. Cable Dia. mm	Max. Cable Dia. mm	Weight kg
20kN (2.0t)	5-16	100	1.5
20kN (2.0t)	8-20	150	2.8

NGK RATCHET PULLERS

Models N-1000P & N-1500P (1.5m pull)

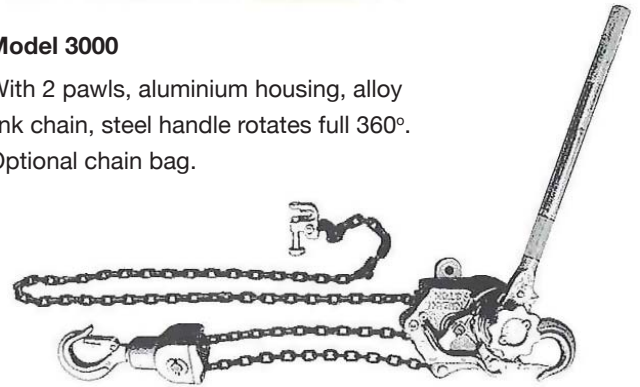
Handle is insulated and rotates full 360°.



Model	Capacity kN - t	Strap Size mm	Min. Lth mm	Max. Lth mm	Lever Lth mm	Wt kg
N-1000P	10 (1.0)	2 x 33	440	1940	400	3.3
N-1500P	15 (1.5)	2 x 40	470	1970	460	4.6

Model 3000

With 2 pawls, aluminium housing, alloy link chain, steel handle rotates full 360°. Optional chain bag.

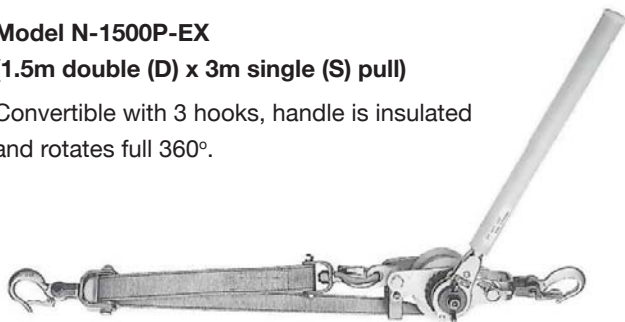


Capacity	Chain Dia. mm	Min. Lth mm	Max. Lth mm	Lever Lth mm	Wt kg
30kN (3.0t)	5	480	2000	430	8

Model N-1500P-EX

(1.5m double (D) x 3m single (S) pull)

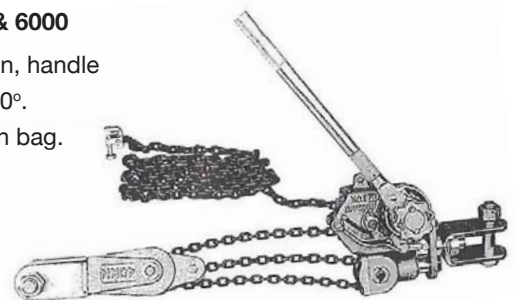
Convertible with 3 hooks, handle is insulated and rotates full 360°.



Capacity	Strap Size mm	Min. Lth mm	Max. Lth mm	Lever Lth mm	Wt kg
15kN x 7.5kN	2 x 40	500	D: 2000 S: 3500	460	5

Model 4000 & 6000

Alloy link chain, handle rotates full 360°. Optional chain bag.



Capacity	Chain Dia. mm	Min. Lth mm	Max. Lth mm	Lever Lth mm	Wt kg
40kN (4.0t)	5	580	2180	430	12
60kN (6.0t)	5	650	2250	430	19

WARNING: THESE PRODUCTS CANNOT BE USED FOR LIFTING AND LOWERING OR FOR SUPPORTING HUMAN CARGO!