

MEDICAL CARTS STAINLESS STEEL TROLLEYS

TRIBUTE



DURABLE - PRACTICAL - FLEXIBLE - ATTRACTIVE





Access Health

For over 45 years, Access Health have been supporting Hospitals, Aged Care, and Community Healthcare across Australia.

Specialising in Equipment and Consumable Solutions, our team take pride in delivering personal service across an extensive range of quality Medical Carts, Trolleys, Rehabilitation, Furniture, Pressure Care, Physiotherapy products, and more.



TRIBUTE

MEDICAL CARTS | TROLLEYS



by Access Health

Tribute, a premium brand of medical carts and trolleys, embodies core principles of being durable, practical, flexible and attractive.

CONTENTS

MEDICAL CARTS

STANDARD AND NARROW

4

EMERGENCY

5

ANAESTHESIA

6

ISOLATION

7

PAEDIATRIC

8

MEDICATION

9

SACHET

10

ACCESSORIES

11

STAINLESS STEEL TROLLEYS

DRESSING

12

CANNULATION

13

EQUIPMENT

14

INSTRUMENT

15

ANAESTHETIC

16

ICU

17

CSSD

18

IV POLES

18

LINEN

19

BASKET TROLLEY

21

THEATRE

22

MEASUREMENT

CHAIR SCALES

24

COLUMN SCALES

25

MEDICAL STORAGE

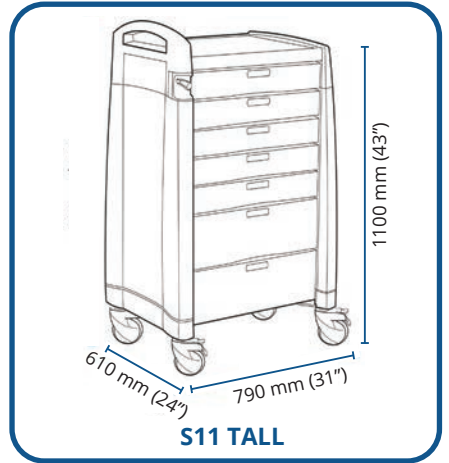
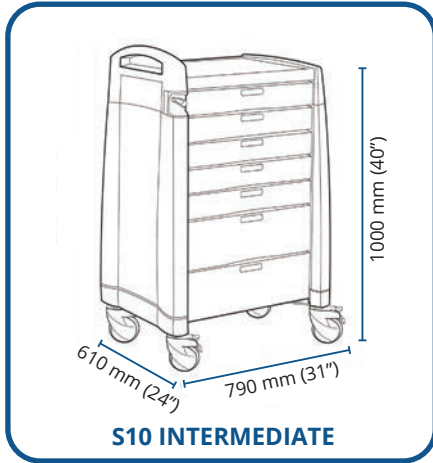
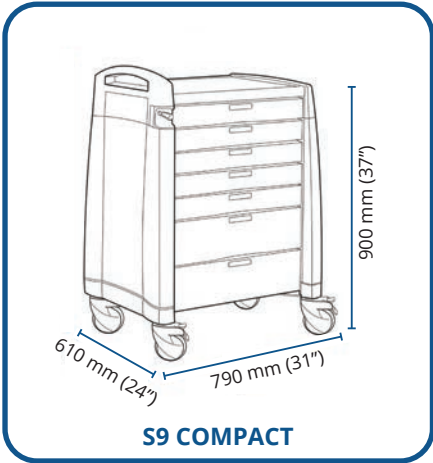
STORAGE SOLUTIONS

26

The TRIBUTE range of Medication Carts includes Standard Carts and Narrow Carts. Our Carts are built for varying usage and available in a range of colours, sizes and drawer configurations. Built with high density panels and a modular design, each of these carts comes with a choice of Breakaway Lock, Plastic Lock, Electronic Keypad Lock or Key Lock.

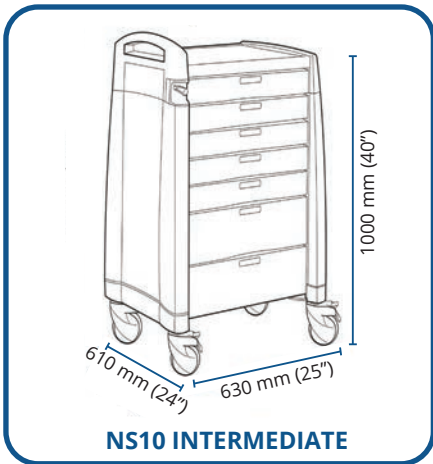
STANDARD CARTS

Standard Carts are available in 3 sizes of Compact, Intermediate and Tall; S9, S10 and S11, respectively.

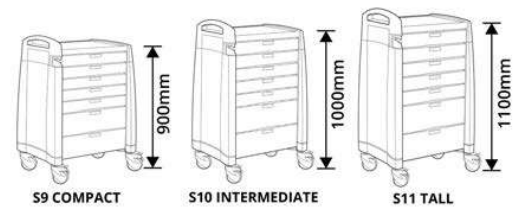


NARROW CARTS

Narrow Carts are available in 2 sizes of Compact and Intermediate; NS9 and NS10, respectively.



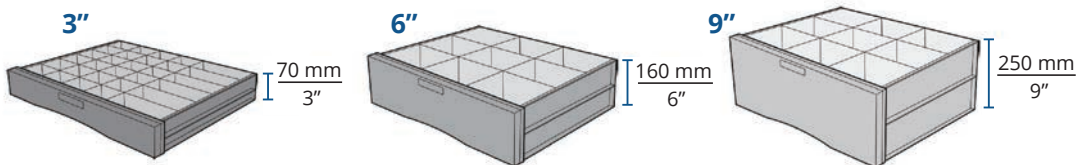
CART SIZE	TOTAL DRAWER HEIGHT
COMPACT	24" / 610mm
INTERMEDIATE	27" / 680mm
TALL	30" / 760mm



MULTIPLE DRAWER CONFIGURATIONS

Customise your cart by selecting the number of drawers and the height of the drawer you want.

- For ease of calculations please use 3 / 6 / 9 inches as values for the drawer heights
- Refer to the Total Drawer Height of the cart to determine the maximum permissible sum of the selected individual drawer height



TRIBUTE



EMERGENCY CART

The TRIBUTE Emergency Cart is designed to meet the needs of an emergency department. The cart comes with essential accessories required by such a critical care department to reliably achieve improved workflow and performance.



KEY FEATURES

- 5 year Warranty
- Three height options: Compact, Intermediate and Tall
- Two width options: Standard and Narrow
- Modular design enables multiple drawer customisations
- Integrated handle for ease of handling
- Large work area with slide-out work surface as standard
- Smooth opening drawers with soft-close
- Large easy roll castors
- High density panels

Many options & accessories available!

ACCESSORIES INCLUDED



Defibrillator Shelf



Oxygen Holder



IV Pole



Extended Surface



Waste Bin



Cardiac Board

OPTIONAL ACCESSORY



Plastic Seal Lock

1 LOCK OPTION



Breakaway Lock

2 CHOOSE FROM 5 SIZE OPTIONS

STANDARD CART

- S9 COMPACT
- S10 INTERMEDIATE
- S11 TALL

DIMENSIONS

- W 790 x D 610 x H 900mm
- W 790 x D 610 x H 1000mm
- W 790 x D 610 x H 1100mm

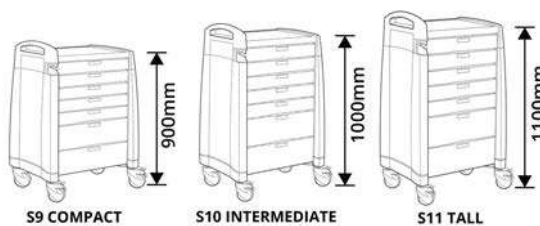
NARROW CART

- NS9 COMPACT
- NS10 INTERMEDIATE

DIMENSIONS

- W 630 x D 610 x H 900mm
- W 630 x D 610 x H 1000mm

*MULTIPLE DRAWERS WITH HEIGHT OF 3, 6 OR 9 INCHES CAN BE ADDED UP TO THE MAXIMUM COMBINED DRAWERS HEIGHT.



ANAESTHESIA CART

The TRIBUTE Anaesthetic Cart offers the best solution for anaesthesia departments. It comes equipped with essential accessories needed to support the organisation and function of the role.



KEY FEATURES

- 5 year Warranty
- Three height options: Compact, Intermediate and Tall
- Two width options: Standard and Narrow
- Integrated handle for ease of handling
- Large work area with slide-out work surface as standard
- Smooth opening drawers with soft-close
- Large easy roll castors

Modular design enables multiple drawer configurations!

ACCESSORIES INCLUDED



Drawer Dividers



Extended Surface



Waste Bin



Accessory Bridge



Tilt Bin Organiser

OPTIONAL ACCESSORY



Plastic Seal Lock

TILT BIN DIMENSIONS

- 4 Bin: W 600 x D 130 x H 210mm
- 5 Bin: W 600 x D 110 x H 160mm
- 6 Bin: W 600 x D 75 x H 110mm

1 CHOOSE FROM 2 LOCK OPTIONS



Breakaway Lock



Electronic Lock

2 CHOOSE FROM 5 SIZE OPTIONS

STANDARD CART

- S9 COMPACT
- S10 INTERMEDIATE
- S11 TALL

DIMENSIONS

- W 790 x D 610 x H 900mm
- W 790 x D 610 x H 1000mm
- W 790 x D 610 x H 1100mm

NARROW CART

- NS9 COMPACT
- NS10 INTERMEDIATE

DIMENSIONS

- W 630 x D 610 x H 900mm
- W 630 x D 610 x H 1000mm

*MULTIPLE DRAWERS WITH HEIGHT OF 3, 6 OR 9 INCHES CAN BE ADDED UP TO THE MAXIMUM COMBINED DRAWERS HEIGHT.



ISOLATION CART

The TRIBUTE Isolation Cart offers the best solution for high-risk infection control areas. These carts are usually brightly coloured to signify they are strictly for hazardous areas.



KEY FEATURES

- 5 year Warranty
- Available in multiple sizes and colours for both Standard and Narrow carts
- Integrated handle for ease of control
- Large work area with slide-out work surface as Standard
- Drawer Dividers are included
- Large easy roll castors

ACCESSORIES INCLUDED



Drawer Dividers



Extended Surface

Used to reduce risk of pathogen transmission!

1 CHOOSE FROM 2 LOCK OPTIONS



No Lock



Breakaway Lock

2 CHOOSE FROM 5 SIZE OPTIONS

STANDARD CART

- S9 COMPACT
- S10 INTERMEDIATE
- S11 TALL

DIMENSIONS

- W 790 x D 610 x H 900mm
- W 790 x D 610 x H 1000mm
- W 790 x D 610 x H 1100mm

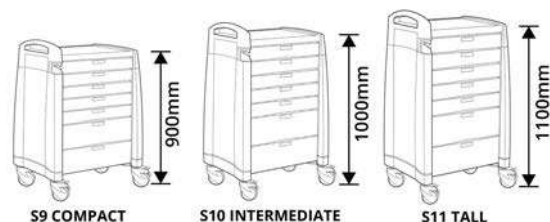
NARROW CART

- NS9 COMPACT
- NS10 INTERMEDIATE

DIMENSIONS

- W 630 x D 610 x H 900mm
- W 630 x D 610 x H 1000mm

*MULTIPLE DRAWERS WITH HEIGHT OF 3, 6 OR 9 INCHES CAN BE ADDED UP TO THE MAXIMUM COMBINED DRAWERS HEIGHT.



PAEDIATRIC CART

The TRIBUTE Paediatric Cart is designed to accommodate the Broselow System for Emergency Paediatric situations.



KEY FEATURES

- 5 year Warranty
- A Tall (S11) cart is the only option
- Colour coded drawers
- Integrated handle for ease of handling
- Large work area with slide-out work surface as standard
- Smooth opening drawers
- Large quality castors

Colour coded drawers allow for quick access to critical supplies!

ACCESSORIES INCLUDED



Defibrillator Shelf



Oxygen Holder



IV Pole



Extended Surface



Waste Bin



Cardiac Board

1 CHOOSE FROM 2 LOCK OPTIONS



Breakaway Lock



Electronic Lock

2 SIZE OPTION

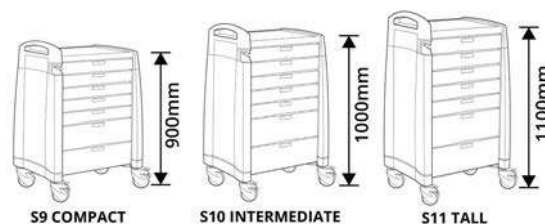
STANDARD CART

S11 TALL

DIMENSIONS

W 790 x D 610 x H 1100mm

*MULTIPLE DRAWERS WITH HEIGHT OF 3, 6 OR 9 INCHES CAN BE ADDED UP TO THE MAXIMUM COMBINED DRAWERS HEIGHT.



MEDICATION CART

The TRIBUTE Medication Cart is also a Treatment, Trauma, Dressing, Supply and General Cart. With its sleek lines, strong construction and smooth manoeuvrability, this is the cart of choice.



KEY FEATURES

- 5 year Warranty
- Three height options: Compact, Intermediate and Tall
- Two width options: Standard and Narrow
- Modular design enables multiple drawer customisations
- Integrated handle for ease of handling
- Large work area with slide-out work surface as standard
- Smooth opening drawers with soft-close
- Large easy roll castors
- High density panels

ACCESSORIES INCLUDED



Drawer Dividers



Extended Surface

Multiple options & accessories available!

1 CHOOSE FROM 2 LOCK OPTIONS



Key Lock



Electronic Lock

2 CHOOSE FROM 5 SIZE OPTIONS

STANDARD CART

- S9 COMPACT
- S10 INTERMEDIATE
- S11 TALL

DIMENSIONS

- W 790 x D 610 x H 900mm
- W 790 x D 610 x H 1000mm
- W 790 x D 610 x H 1100mm

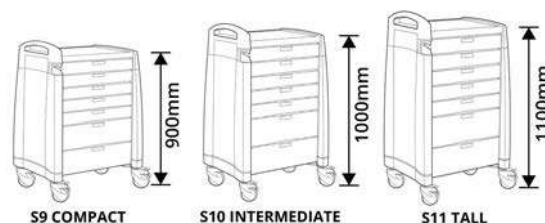
NARROW CART

- NS9 COMPACT
- NS10 INTERMEDIATE

DIMENSIONS

- W 630 x D 610 x H 900mm
- W 630 x D 610 x H 1000mm

*MULTIPLE DRAWERS WITH HEIGHT OF 3, 6 OR 9 INCHES CAN BE ADDED UP TO THE MAXIMUM COMBINED DRAWERS HEIGHT.



SACHET CART

The TRIBUTE Sachet Cart is also a Treatment, Trauma, Dressing, Supply and General Cart. With its sleek lines and strong construction adding to its smooth manoeuvrability, this is the cart of choice.



KEY FEATURES

- 5 year Warranty
- Three height options: Compact, Intermediate and Tall
- Two width options: Standard and Narrow
- Multiple options for sachet drawers
- Standard drawers supplied as required
- Integrated handle for ease of control
- Large work area with slide out work surface as standard
- Large easy roll castors

ACCESSORIES INCLUDED



Drawer Dividers



Extended Surface

Drawers can be reconfigured!

1 CHOOSE FROM 2 LOCK OPTIONS



Key Lock



Electronic Lock

2 CHOOSE FROM 5 SIZE OPTIONS

STANDARD CART

- S9 COMPACT
- S10 INTERMEDIATE
- S11 TALL

DIMENSIONS

- W 790 x D 610 x H 900mm
- W 790 x D 610 x H 1000mm
- W 790 x D 610 x H 1100mm

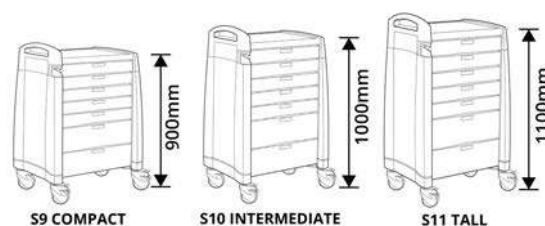
NARROW CART

- NS9 COMPACT
- NS10 INTERMEDIATE

DIMENSIONS

- W 630 x D 610 x H 900mm
- W 630 x D 610 x H 1000mm

*MULTIPLE DRAWERS WITH HEIGHT OF 3, 6 OR 9 INCHES CAN BE ADDED UP TO THE MAXIMUM COMBINED DRAWERS HEIGHT.



ACCESSORIES

Tribute Medical Cart's modular design allows you to add various accessories to suit your specific requirements.



ACCESSORY PACK

Anaesthesia

ITEMS INCLUDED

Tower
4 Tilt Bins
5 Tilt Bins
Waste Bin

Emergency / Paediatric

CPR Board
Defibrillator Shelf
IV Pole
Oxygen Tank Holder
Waste Bin



Defibrillator Shelf



Oxygen Holder



IV Pole



Sharps & Glove Holder



Drawer Dividers



Waste Bin



Cardiac Board



Double Wheel Castor



Laptop Holder



Tilt Bin Organiser



Large Tilt Bin Unit



Plastic Seal Lock

TRIBUTE



DRESSING TROLLEY - 1 DRAWER



Lower shelf with 3 rails!

KEY BENEFITS

- 1 x 125mm Soft Close Drawer
- Square tube frame
- Work surface with 3 rails
- 125mm castors, 2 locking

ITEM CODE	
TM1320	W 490 x D 490 x H 900mm
TM1350	W 600 x D 490 x H 900mm
TM1370	W 750 x D 490 x H 900mm
TM1385	W 800 x D 490 x H 900mm
TM1400	W 900 x D 490 x H 900mm
TM1415	W 1000 x D 490 x H 900mm – Reinforced Shelves



Drawer dividers optional



1 x Drawer lock included

DRESSING TROLLEY - 2 DRAWER



Lower shelf with 3 rails!

KEY BENEFITS

- 2 x 125mm Soft Close Drawers
- 400mm clearance between drawer and lower shelf
- Square tube frame
- Work surface with 3 rails
- 125mm castors, 2 locking

ITEM CODE	
TM1330	W 490 x D 490 x H 900mm
TM1355	W 600 x D 490 x H 900mm
TM1375	W 750 x D 490 x H 900mm
TM1390	W 800 x D 490 x H 900mm
TM1405	W 900 x D 490 x H 900mm
TM1420	W 1000 x D 490 x H 900mm – Reinforced Shelves



1 x Drawer lock included



Drawer dividers optional

DRESSING TROLLEY - 3 DRAWER



Double safety folds to all shelf edges!

KEY BENEFITS

- 3 x 125mm Soft Close Drawers
- Full under bracing support for all shelves providing maximum stability and strength
- Work surface with 3 rails
- Lower shelf with 3 rails
- 125mm castors, 2 locking

ITEM CODE	
TM1335	W 490 x D 490 x H 900mm
TM1160	W 600 x D 490 x H 900mm
TM1165	W 750 x D 490 x H 900mm
TM1170	W 800 x D 490 x H 900mm
TM1175	W 900 x D 490 x H 900mm



1 x Drawer lock included



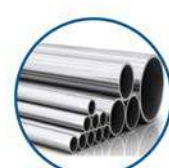
Drawer dividers optional



Fill welding for infection control



125mm castors with 2 x locking castors



304 Grade Stainless Steel



Stainless Steel Trolleys

DRESSING TROLLEY - 4 DRAWER



KEY BENEFITS

- Soft Close Drawers
- Full under bracing support for all shelves providing maximum stability and strength
- Double safety folds to all shelf edges
- 125mm castors, 2 locking



1 x Drawer lock included



Drawer dividers optional

Work surface with 3 rails!

ITEM CODE - NO SHELF	
TM1340	W 490 x D 490 x H 900mm
TM1360	W 600 x D 490 x H 900mm
TM1380	W 750 x D 490 x H 900mm
TM1395	W 800 x D 490 x H 900mm
TM1410	W 900 x D 490 x H 900mm
TM1435	W 1000 x D 490 x H 900mm

ITEM CODE - WITH BOTTOM SHELF	
TM1339	W 490 X D 490 X H 900mm



With bottom shelf

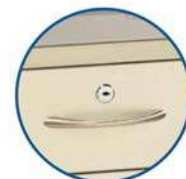
CANNULATION TROLLEY - 2 DRAWER



Includes cannulation accessory tilt bin & bridge!

KEY BENEFITS

- 2 Soft Close Drawers
- 3 x Rails to Top Surface and lower shelf
- Double safety folds to all shelf edges
- Square tube frame
- 125mm castors, 2 locking



1 x Drawer lock included



Drawer dividers optional



ITEM CODE	
TM1100	W 490 x D 490 x H 900mm - 2 x 6 Tilt Bins, 1 x 5 Tilt Bins



Fill welding for infection control



125mm castors with 2 x locking castors



304 Grade Stainless Steel



EQUIPMENT TROLLEY - 2 SHELF WITH RAILS



KEY BENEFITS

- Work surface with 3 rails
- Lower shelf with 3 rails
- Square tube frame
- 125mm castors, 2 locking



ITEM CODE

TM1115	W 490 x D 490 x H 900mm
TM1125	W 600 x D 490 x H 900mm
TM1130	W 750 x D 490 x H 900mm
TM1135	W 800 x D 490 x H 900mm
TM1140	W 900 x D 490 x H 900mm
TM1145	W 1000 x D 600 x H 900mm (Reinforced)
TM1150	W 1200 x D 600 x H 900mm (Reinforced)
TM1155	W 1500 x D 600 x H 900mm (Reinforced)
TM1157	W 1800 x D 600 x H 900mm (Reinforced)

FLAT TROLLEY - 2 SHELF WITH NO RAILS



KEY BENEFITS

- Work surface with no rails
- Lower shelf with no rails
- 125mm castors, 2 locking

Used for pick-up, delivery & storage!



ITEM CODE

TM1025	W 490 x D 490 x H 900mm
TM1040	W 600 x D 490 x H 900mm
TM1045	W 750 x D 490 x H 900mm
TM1050	W 800 x D 490 x H 900mm
TM1055	W 900 x D 490 x H 900mm
TM1060	W 1000 x D 490 x H 900mm (Reinforced)
TM1065	W 1200 x D 490 x H 900mm (Reinforced)
TM1070	W 1500 x D 600 x H 900mm (Reinforced)
TM1075	W 1800 x D 600 x H 900mm (Reinforced)

TRIBUTE



Fill welding for infection control



125mm castors with 2 x locking castors



304 Grade Stainless Steel



RESUSCITATION TROLLEY - 2 DRAWER



With soft close drawer runners!

KEY BENEFITS

- 2 x 125mm deep Soft Close half width drawers
- Full under bracing support for all shelves providing maximum stability and strength
- 1x Shelf with 3 Rails
- Work surface with 3 Rails
- Square tube frame
- 125mm castors, 2 locking

ITEM CODE

TM1430	W 800 x D 490 x H 900mm
TM1455	W 900 x D 490 x H 900mm
TM1465	W 1000 x D 490 x H 900mm
TM1475	W 1200 x D 490 x H 900mm



1 x Drawer lock included



Drawer dividers optional

RESUSCITATION TROLLEY - 4 DRAWER



KEY BENEFITS

- 4 x 125mm Soft Close half width drawers
- Full under bracing support for all shelves providing maximum stability and strength
- Work surface with 3 rails
- 1 x Shelf with 3 Rails
- 125mm castors, 2 locking

Double safety folds to all shelf edges!

ITEM CODE

TM1445	W 800 x D 490 x H 900mm
TM1460	W 900 x D 490 x H 900mm
TM1470	W 1000 x D 490 x H 900mm
TM1480	W 1200 x D 490 x H 900mm



Drawer dividers optional

SUTURE TROLLEY



Organize & store sutures within easy reach!

KEY BENEFITS

- 4 x 125mm Soft Close half width drawers
- 1 x Full length drawer
- Full under bracing support for all shelves providing maximum stability and strength
- Work surface with 3 rails
- Double safety folds to all shelf edges
- 125mm castors, 2 locking

ITEM CODE

TM1225	W 800 x D 490 x H 900mm
TM1230	W 900 x D 490 x H 900mm
TM1235	W 1000 x D 490 x H 900mm - Reinforced



Drawer dividers optional



Fill welding for infection control



125mm castors with 2 x locking castors



304 Grade Stainless Steel



Stainless Steel Trolleys

RESUSCITATION TROLLEY -
7 DRAWER

Plenty of storage to store medical supplies!

KEY BENEFITS

- 6 x Half Soft Close Drawers 125mm deep, 1 lockable
- 1 x Drawer 250mm deep
- Full under bracing support for all shelves providing maximum stability and strength
- Double safety folds to all shelf edges
- Work surface with 3 rails
- 125mm castors, 2 locking

ITEM CODE

TM1250 W 800 x D 490 x H 900mm

TM1255 W 900 x D 490 x H 900mm

TM1260 W 1000 x D 490 x H 900mm



1 x Drawer lock included



Drawer dividers optional

ANAESTHETIC TROLLEY -
5 DRAWER

KEY BENEFITS

- 5 x 125mm deep Soft Close Drawers
- Full under bracing support for all shelves providing maximum stability and strength
- Double safety folds to all shelf edges
- Work surface with 3 rails
- 125mm castors, 2 locking

ITEM CODE

TM1005 W 900 x D 490 x H 900mm

TM1010 W 1000 x D 490 x H 900mm

Multiple options available!



Drawer dividers optional

ANAESTHETIC TROLLEY -
6 DRAWER

Multiple options available!

KEY BENEFITS

- 6 Soft Close Drawers (4 x 100mm deep, 2 x 200mm deep)
- Full under bracing support for all shelves providing maximum stability and strength
- Double safety folds to all shelf edges
- Work surface with 3 rails
- Square tube frame
- 125mm castors, 2 locking

ITEM CODE

TM1185 W 600 x D 490 x H 900mm

TM1195 W 750 x D 490 x H 900mm

TM1205 W 800 x D 490 x H 900mm

TM1215 W 900 x D 490 x H 900mm



1 x Drawer lock included



Drawer dividers optional



Fill welding for infection control



125mm castors with 2 x locking castors



304 Grade Stainless Steel



Quality Approved ISO 9001

TRIBUTE

Stainless Steel Trolleys

ANAESTHETIC TROLLEY - WITH SIDE SHELVES

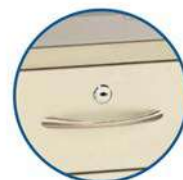


2 Side shelves with rails!

KEY BENEFITS

- 6 Soft Close Drawers (1st & 4th Drawers 75mm, 2nd & 3rd Drawers 150mm, 5th & 6th Drawer 100mm deep)
- Full under bracing support for all shelves providing maximum stability and strength
- Double safety folds to all shelf edges
- Work surface with 3 rails
- Square tube frame
- 125mm castors, 2 locking

ITEM CODE	
TM1190	W 600 x D 490 x H 900mm
TM1200	W 750 x D 490 x H 900mm
TM1210	W 800 x D 490 x H 900mm
TM1220	W 900 x D 490 x H 900mm



1 x Drawer lock included



Drawer dividers optional

ICU WORK STATION

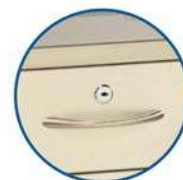


All drawers have drilled plate bottoms!

KEY BENEFITS

- Drawer Top Half Drawers: 125mm
- 1st and 2nd Full Drawers: 150mm
- 3rd Drawer: 250mm
- All Drawers have soft close
- The upper work surface is recessed with two guard rails on 3 sides
- 125mm castors, 2 locking

ITEM CODE	
TM1585	W 500 x D 750 x H 1000



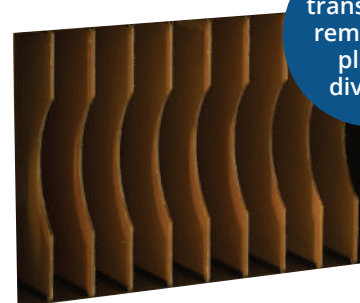
1 x Drawer lock included

FILES TROLLEY



KEY BENEFITS

- 1 Drawer
- 11 Bay records compartment
- Rails on two sides
- Pull up side shelf on right
- Push handle on left
- Complete ball bearing castors and drawer runners



With transparent removable plastic dividers!

ITEM CODE	
TM1425	1 Drawer with Removable Perspex Dividers W 750 x D 490 x H 900mm



Fill welding for infection control



125mm castors with 2 x locking castors



304 Grade Stainless Steel



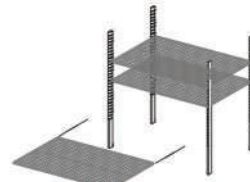
Stainless Steel Trolleys

CSSD CART



KEY BENEFITS

- 2 hinged doors
- Concealed push handles
- 3 adjustable shelves
- Full bumper surround
- 200mm sealed roller bearing castors with brakes

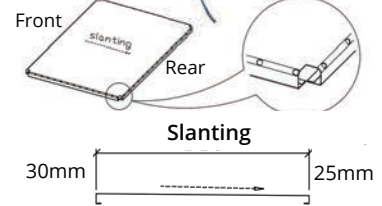


3-Tier Adjustable Wire Shelf Inside View



Cart Base

- Slant surface toward the rear supporting sufficient drainage after washing
- Diameter- 6mm drain holes at the sides and rear



ITEM CODE

TM1510	W 900 x D 600 x H 1040mm - 3 Shelf
TM1515	W 900 x D 600 x H 1040mm - 4 Shelf
TM1522	W 950 x D 660 x H 1450mm - 3 Shelf
TM1525	W 1220 x D 610 x H 1500mm - 5 Shelf

WEIGHTED NESTING IV POLE



KEY BENEFITS

- Height range 1350 - 2050mm
- 5 leg weighted base
- Smooth rolling and lockable castors
- 75mm castors



Stacking poles saves huge amount of storage space!



Smooth rolling with lockable 75mm castors



Adjustable Height

ITEM CODE

IV1053	IV Pole 2 Hook. Castors 75mm
IV1060	IV pole, 4 Hook. Castors 75mm

TRIBUTE



Fill welding for infection control



304 Grade Stainless Steel



OH & S LINEN SKIPS WITH NO LID - SINGLE & DOUBLE



KEY BENEFITS

- The OH & S front opening linen skips are designed to reduce shoulder injuries to staff
- Compact tubular frame with an elevated bag support platform 400mm from the floor
- Precision ball bearing castors which enables the weight of the unit to be absorbed
- Side hook added to attach the bag draw string
- 75mm castors, 2 brakes



NO OVERFILLING



Designed to reduce shoulder injuries to staff!



Front opening design

- Stabilised support bars prevent over-loading
- Front opening design ensures ease when unloading

ITEM CODE

TL1050 Linen Skip Single OH&S Front Opening NO LID W 400 x D 400 x H 900mm

TL1055 Linen Skip Double OH&S Front Opening NO LID W 800 x D 400 x H 900mm

OH & S LINEN SKIPS WITH GAS ASSIST LID - SINGLE, DOUBLE & TRIPLE



KEY BENEFITS

- The OH & S front opening linen skips are designed to reduce shoulder injuries to staff
- Compact tubular frame with an elevated bag support platform 400mm from the floor
- Precision ball bearing castors which enables the weight of the unit to be absorbed
- Side hook added to attach the bag draw string
- No overfilling
- 75mm castors, 2 brakes



NO OVERFILLING



Eliminates the need to "lift!"



Front opening design

- Stabilised support bars prevent over-loading
- Front opening design ensures ease when unloading

ITEM CODE

TL1060 Linen Skip Single OH&S Front Opening with Gas Assist Lid W 400 x D 400 x H 900mm

TL1065 Linen Skip Double OH&S Front Opening with Gas Assist Lid W 800 x D 400 x H 900mm

TL1070 Linen Skip Triple OH&S Front Opening with Gas Assist Lid W 1200 x D 400 x H 900mm



Fill welding for infection control



75mm castors with 2 x locking castors



304 Grade Stainless Steel



TRIBUTE

LINEN SKIPS WITH NO LID - SINGLE, DOUBLE & TRIPLE



KEY BENEFITS

- For soiled linen
- Different lid colours available
- Compact designed tubular frame
- No lid
- 75mm castors, 2 brakes

Compact designed tubular frame



ITEM CODE

- TL1005 Linen Skip with No Lid - Single W 400 x D 400 x H 900mm
- TL1010 Linen Skip with No Lid - Double W 800 x D 400 x H 900mm
- TL1015 Linen Skip with No Lid - Triple W 1200 x D 400 x H 900mm

LINEN SKIPS WITH GAS ASSIST LID - SINGLE, DOUBLE & TRIPLE



KEY BENEFITS

- For soiled linen
- With foot operated gas assist lid
- Different lid colours available
- 75mm castors, 2 brakes

Compact designed tubular frame



ITEM CODE

- TL1020 Linen Skip with Gas Assist Lid - Single W 400 x D 400 x H 900mm
- TL1025 Linen Skip with Gas Assist Lid - Double W 800 x D 400 x H 900mm
- TL1030 Linen Skip with Gas Assist Lid - Triple W 1200 x D 400 x H 900mm



Fill welding for infection control



75mm castors with 2 x locking castors



304 Grade Stainless Steel



TRIBUTE

Stainless Steel Trolleys

3 TIER TROLLEY WITH PUSH HANDLES



KEY BENEFITS

- Square tube frame
- Upper work surface with two end push rails
- 2 lower shelves with no rails

Available in different sizes!



ITEM CODE	
TM1300	W 600 x D 490 x H 900mm
TM1305	W 750 x D 490 x H 900mm
TM1310	W 900 x D 490 x H 900mm
TM1315	W 1000 x D 490 x H 900mm

BASKET TROLLEY



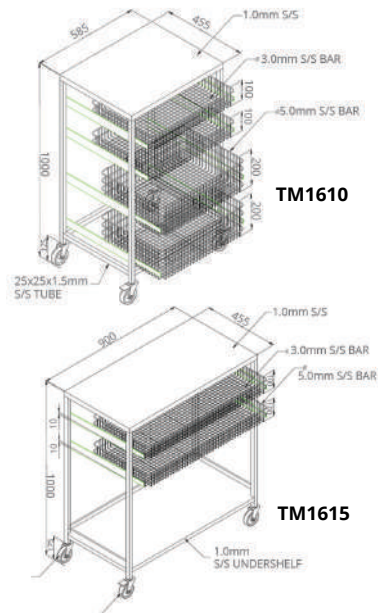
KEY BENEFITS

- Comes with a solid stainless steel top
- The baskets are supported with full bearing slide stainless steel runners

Options:

- **SMALL:** 585 x 455 x 1000mm high
4 Basket Drawers, 2 x 100mm and 2 x 200mm deep mesh
- **LARGE:** 900 x 455 x 1000mm high
2 Basket Drawers 100mm deep mesh

Customised as required



Stainless Steel Runners

ITEM CODE	
TM1553	3 Baskets 1 x 300mm deep, 2 x 150mm
TM1610	W 585 x D 455 x H 1000mm SMALL 4 Basket Drawers - 2 x 100mm, 2 x 200mm
TM1615	W 900 x D 455 x H 1000mm LARGE 2 Basket Drawers - 2 x 100mm



Fill welding for infection control



Castors with 2 x locking castors



304 Grade Stainless Steel



PLASTER TROLLEY



KEY BENEFITS

- 2 x 125mm deep Soft Close Drawers
- Drop down shelf
- Lower shelf with 3 rails
- Square tube frame
- 125mm castors, 2 locking

Comes with a bucket!



Drawer dividers optional

ITEM CODE

TM1270 W 800 x D 490 x H 900mm

TM1280 W 900 x D 490 x H 900mm

TM1290 W 1000 x D 490 x H 900mm

BOWL AND STAND



KEY BENEFITS

- Stand height: 820mm
- 5 x 50mm twin castors
- Satin finish

Double bowl stand available!



ITEM CODE

TM1710 Bowl and Stand - Diameter 320mm

TM1720 Bowl Only - Diameter 400mm x Depth 120mm

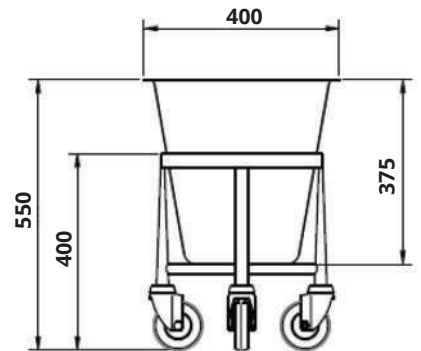
KICK BUCKET



Serves as a waste receptacle!

KEY BENEFITS

- Stainless steel full welds
- 75mm complete ball bearing castors with brake
- Includes bucket and stand



ITEM CODE

TM1675 W 550 x D 400 x H 400mm

TRIBUTE



Fill welding for infection control



Castors with 2 x locking castors



304 Grade Stainless Steel



Quality Approved ISO 9001

LITHOTOMY TROLLEY



KEY BENEFITS

- Height Adjustable with cut out
- 75mm castors



2 castors with brake!



Height Adjustable

ITEM CODE

TM1595 W 750 x D 490 x H 750-950mm

MAYO TROLLEY



KEY BENEFITS

- Height adjustable
- Large work surface
- Removable tray
- Square tube frame
- 75mm castors, 2 brakes



ITEM CODE

TM1725 W 600 x D 400 x H 48mm, 4 castors

TM1727 W 520 x D 400 x H 48mm, 2 castors



Fill welding for infection control



75mm castors with 2 x locking castors



304 Grade Stainless Steel



BARIATRIC CHAIR SCALE



Designed for larger/ bariatric patients!

Chair Scale is intended to be pushed directly into patient rooms, so patients that have difficulty standing do not need to walk to weighing stations.

SPECIFICATIONS

- Overall Dimensions: W 690 x D 1190 x H 920mm
- Seat height: 530mm
- Seat width: 575mm
- Seat depth: 450mm
- Armrest height: 700mm
- Device Weight: 23kg
- Power Supply: Rechargeable battery pack / AA batteries
- Graduation: 100g (0.22lb)

(NOTE: The device is not a wheelchair, and should not be pushed when a patient is sitting in the seat)

ITEM CODE
SS2045 Chair Scales Bariatric



COMPACT CHAIR SCALE



Very easy to assemble!

Specially designed for patients that have difficulty standing, allowing for the simple and precise weighing of patients.

KEY FEATURES

- Overall Dimensions: W 590 x D 1020 x H 960mm
- Collapsible folding frames for easy transportation
- Portable with rolling casters
- Double safety folds to all shelf edges
- Low-profile ramp leads to a non-slip platform designed especially for patients with difficulty standing

(NOTE: The device is not a wheelchair, and should not be pushed when a patient is sitting in the seat)

ITEM CODE
SS2046 Chair Scales Compact



WHEELCHAIR HEAVY DUTY SCALE



Handle and wheels for easy carrying!

Designed especially for people needing assistance while being weighed in a wheelchair.

KEY FEATURES

- Overall Dimensions: W 1150 x D 800 x H 66mm
- Platform: W 900 x D 740mm
- High load capacity and can easily be transported on its high-quality rolling castors
- With its large, extremely flat and non-slip platform, patients can be weighed sitting in a wheelchair
- Adjustable rubber feet to adjust balance
- Bubble level for level adjustment
- Low profile platform

ITEM CODE
SS2048 Wheelchair Heavy Duty Scale



DIGITAL MEDICAL SCALES COLUMN

These scales feature a waist-level column, large LCD screen, and steel platform with anti-slip mat to make it an economic medical scale for busy clinics.

KEY FEATURES

- Integrated BSA and BMI function
- Low battery consumption
- Non-skid platform surface
- Measures in kilograms or pounds
- Column mounted display and controls
- Able to output data to a PC

SPECIFICATIONS

- Overall Dimensions: W 310 x D 460 x H 1050mm
- Platform dimensions: W 310 x D 310 x H 60mm
- Display: DP4400 1.4 inch LCD display
- Graduation: 100kg
- Functions: BMI, BSA, weight measurement, weight lock, tare, print
- Data transmission: USB



Minimalistic and compact!

ITEM CODE

SS2058 Digital Medical Scales Column. 300kg

S.W.L
300 kg



COLUMN SCALES BARIATRIC

These scales feature a waist level column, wide LCD display, tread platform which makes it a perfect weighing medical scale for congested clinics.

KEY FEATURES

- Low battery consumption – 100 hours
- Selectable Auto Off function between 120, 180, 240 seconds
- Full Capacity Taring Function
- Die-casting base structure offers durable performance
- Extreme large 1.2 inch LCD display
- Bubble level for level adjustment
- Four adjustable feet for level adjustment

SPECIFICATIONS

- Overall Dimensions: W 360 x D 480 x H 1100mm
- Platform size: W 360 x D 310 x H 70mm
- Graduation: 200g < 200kg > 500g
- Weight: 8.2kg
- Power supply Battery & Adaptor
- Functions BMI function, large LCD display, metal platform, print out BMI via TP2100 printer or PC
- Data transmission PC



Can print out results through a thermal printer (OPTIONAL)

ITEM CODE

SS2060 Digital Medical Scales Column Bariatric
SS2065 Stadiometer option for Column Scales

S.W.L
300 kg

Rubber mat to avoid slipping



STORAGE SOLUTIONS

We have an extensive range of systems to provide the most effective and efficient storage for all departments including mobile and static storage units. All systems can be customised with a range of accessories further enhancing functionality and efficiency.

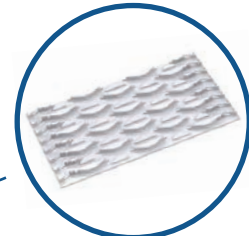
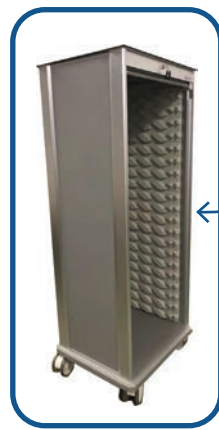
MOBILE TRANSPORT



Double Transport Tower



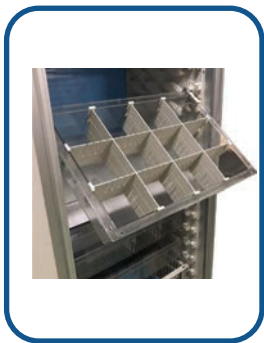
Single Transport Tower



Cabinet Liners

BASKET AND DIVIDER SOLUTIONS

A small selection of available divider and basket storage options - please speak to the sales team for further information.



STATIC



Discuss with the sales team for all your storage needs and solutions!




WIRE SHELVING

Wire Shelving systems are ideal infection control and well suited to the Medical, Linen and Hospitality markets.

- Conforming to Australian Standards
- Maximum ventilation
- Static, Mobile and Hang-on corner bays
- Quality castors and wheels



Mobile Wire Shelving Trolley



Static Wire Shelving Unit



COMPLETE STORAGE SOLUTIONS



Mobile Wire Shelves



Static Wire Shelves



TRANSPORT CASTORS





Access Health

For over 45 years, Access Health have been supporting Hospitals, Aged Care, and Community Healthcare across Australia.

Specialising in Equipment and Consumable Solutions, our team take pride in delivering personal service across an extensive range of quality Medical Carts, Trolleys, Rehabilitation, Furniture, Pressure Care, Physiotherapy products, and more.



TRIBUTE



03 9878 1399
sales@accesshealth.com.au

www.accesshealth.com.au