

## FEATURES

- 4 different cycles for blast chilling and 4 cycles for shock freezing
- Thickness insulation walls 70 mm (HFC FREE)
- Hot gas defrost
- Capacitive touch control
- Functions available: blast chiller, shock freezing, shock freezing continuous, thawing, ice cream cycle, cycle programs storable, HACCP report alarms
- AISI 304 stainless steel construction
- Upload and download data with USB
- Messaging in multiple languages

## OPTIONS

- Sanitising ozone cycle
- Castor kit
- Kit pastry step 10 mm
- Water condensing version or remote version
- 60 Hz versions

## DIMENSIONS

840W x 930D x 1957H mm

## TRAYS

15 x GN 1/1 food pans or 600 x 400mm

21 x 5L pans or 165 x 360 x 120H mm

Tray pitch: 68mm

## TECHNICAL DATA

Power supply: 400V / 3NAC / 50HZ / 7A

Consumption: 2900W

Compressor: Hermetic

Refrigeration Power (-10°C/+45°C): 5440W

Refrigeration Fluid: 2200g - R452a

Output chilling (+90°C → +3°C): 40kg in 90 minutes

Output freezing (+90°C → -18°C): 30kg in 240 minutes

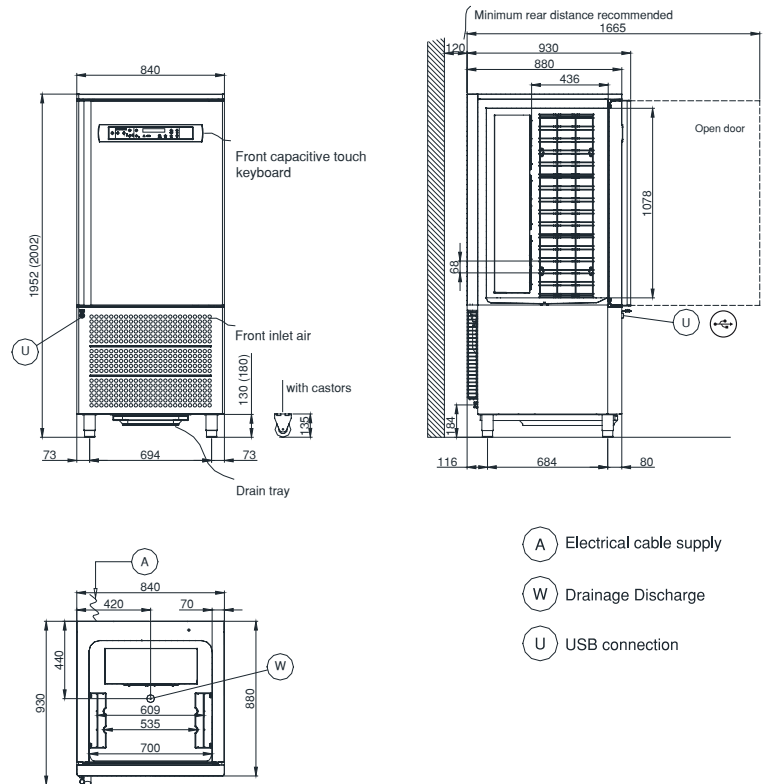
Weight: 230kg

## SHIPPING DATA

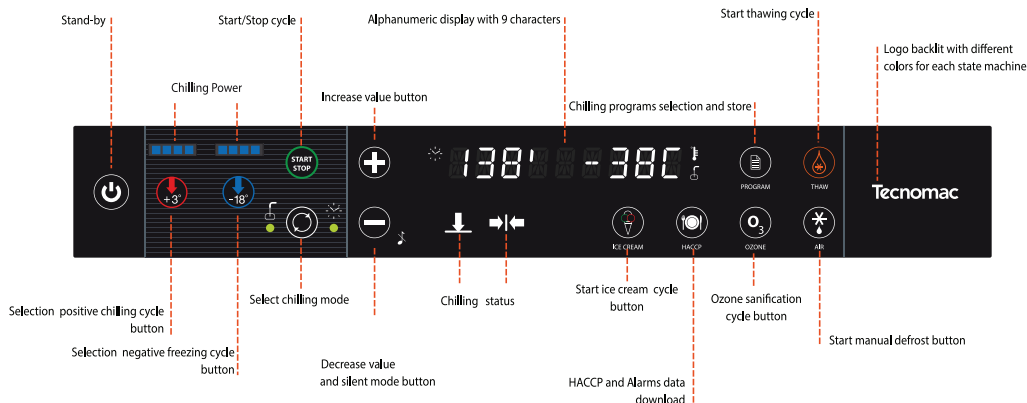
Shipping Dimensions: 900 x 970 x 2160 mm

Shipping Weight: 260kg

SPECIFICATIONS ARE SUBJECT TO CHANGE WITHOUT NOTICE.



- (A) Electrical cable supply
- (W) Drainage Discharge
- (U) USB connection



**National Head Office**  
156 Swann Drive  
Derrimut VIC 3030  
Tel: +61 3 8369 4600  
Fax: +61 3 8369 4699  
[www.comcater.com.au](http://www.comcater.com.au)

**Melbourne**  
96-100 Tope Street  
South Melbourne VIC 3205  
Tel: +61 3 8699 1200  
Fax: +61 3 8699 1299

**Sydney**  
20/4 Avenue of the Americas  
Newington, NSW 2127  
Tel: +61 2 8775 9500  
Fax: +61 2 9648 4762

**Brisbane**  
1/62 Borthwick Avenue  
Murarrie QLD 4172  
Tel: +61 7 3900 2700  
Fax: +61 7 3399 5311

**Perth**  
Unit 16, 7 Abrams Street  
Balcatta, WA 6021  
Tel: +61 8 6217 0700  
Fax: +61 8 6217 0799