

“What to expect in the future market trend for secondary packaging production line?”



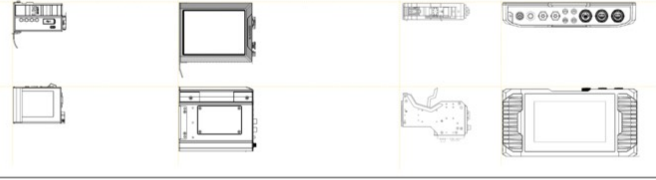
“Are you ready for a fast-paced changing environment?”



**ANSER Printer Size and Weight Comparison**

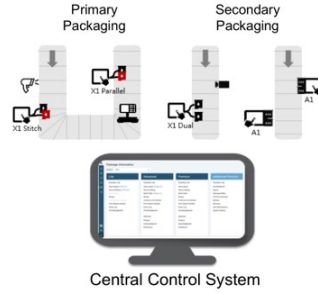


U2                      A1                      X1



- |   |  |  |   |
|---|--|--|---|
| <ul style="list-style-type: none"> <li>• 114 (L) x 60 (W) x 76 (H) mm</li> <li>• 0.49 kg</li> <li>• 3.5" LCD</li> <li>• 0.5" / 1" print height</li> </ul> | <ul style="list-style-type: none"> <li>• 170(L) * 125(W) * 136(H) mm</li> <li>• 1.8 Kg</li> <li>• 5" touchscreen LCD</li> <li>• 0.5"-1.92" print height</li> </ul> | <ul style="list-style-type: none"> <li>• 153(L) * 38(W) * 93(H) mm</li> <li>• 0.55 Kg</li> <li>• Max. 15m printhead cable</li> <li>• 0.5" / 1" print height</li> </ul> | <ul style="list-style-type: none"> <li>• 291(L) * 52(W) * 143(H) mm</li> <li>• 2.12 Kg</li> <li>• 7" touchscreen LCD</li> <li>• Connect up to 2 printheads</li> </ul> |
|---|--|--|---|

**Industry 4.0 Ready**  
NexGen Control Platform



ANSER A1



# Anser A1 Thermal Inkjet Printer

The Anser A1 is the first all-in-one thermal inkjet printer with the capability of a 2" print while being able to adjust DPI by object within the message for ultimate control of cartridge consumption.

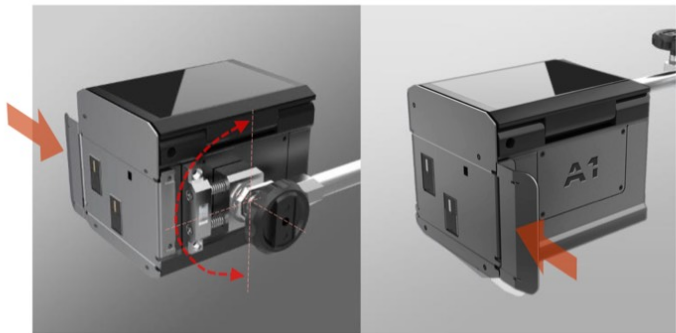
The A1 is the next generation advancement from the U2 product line of Smart, Pro-S, and SmartONE. Comparing the U2 series to the A1:

- 1" max print height to 2" max print height
- 6 month longer warranty
- Larger ink portfolio
- scan & select data
- User Defined I/O

**A1 Printer Model Options**

- A1 Single Printhead 1/2 inch
- A1 Single Printhead 1 Inch
- A1 Dual Printhead 1/2 inch
- A1 Dual Printhead 1 inch

**180° Adjustable Bracket for Easy Installation**



# Anser X1 Thermal Inkjet Printer

The Anser X1 thermal inkjet printer represents the next generation of thermal inkjet (TIJ) technology. Fast enough to rival continuous inkjet (CIJ) printers, yet configurable and small enough to fit in any production environment, the Anser X1 is one of the most powerful and versatile TIJ models on the market today.



# Anser X1 Thermal Inkjet Printer

## Features & Specifications

### Benefits of the Anser X1 Thermal Inkjet Printer

The Anser X1 offers coding possibilities that other thermal inkjet printers can't match. Compatible with both porous and non-porous substrates, the Anser X1 is built to meet the coding needs of companies across the manufacturing and packaging spectrum. The unique and innovative design creates a versatile printer that can grow and change with you as your production needs change. The Anser X1 can control two independent printheads, utilizing two different inks while being controlled by a single controller.

Other benefits of the Anser X1 include:

- The ability to simultaneously control two production lines.
- A 1-inch print height with a single printhead and a 2-inch print height with dual printheads.
- Multiple printhead configurations to match your production needs.
- A 7-inch color LCD touchscreen with complete protection against water and physical damage.
- Pause-free cartridge replacement to prevent downtime while using "Parallel Setup."
- Scan to Print feature.

### Anser X1 Application Specialties

Offering the marking speed of a CIJ system, the print height of a **high-resolution case coder**, and the high-resolution capabilities of an **industry-leading TIJ printer**, the Anser X1 is ideal for a wide range of marking tasks.

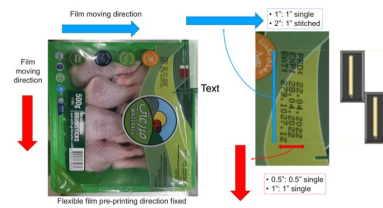
The Anser X1's 300 m/min max speed makes the model a perfect fit for primary packaging lines, such as those in bottling and canning facilities. Further, the X1's unique dual production line support provides users with the ability to instantly scale up production. One controller can control two different print stations with two different messages using two different inks, and one controller with two heads can replace two systems, either in primary or case coding. The Anser X1 is also optimal for secondary packaging applications, as the X1's 2-inch print height and 600 x 600 DPI capabilities are ideal for case coding.

Popular uses for the Anser X1 include marking:

- Aerospace and automotive parts
- Food packaging
- Beverage bottles and cans
- Chemical packaging
- Personal care products
- Pharmaceutical packaging

For a more complete understanding of the Anser X1's capabilities, see the chart below to view the X1's full technical specifications

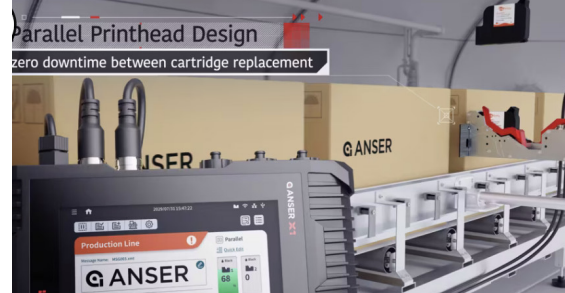
### TTO Replacement



**X1**

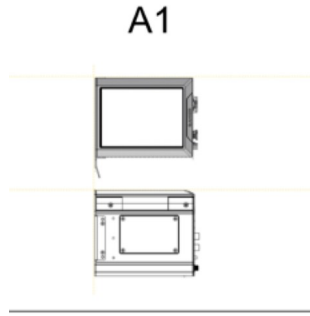
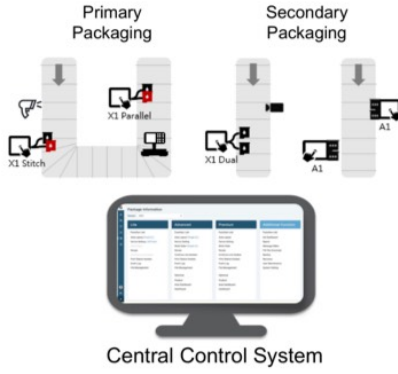
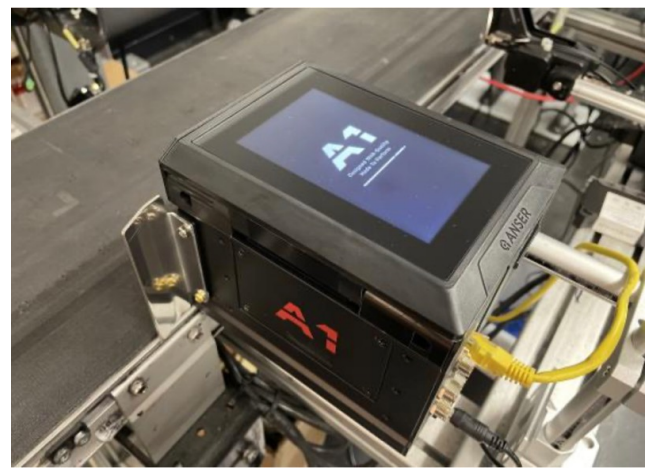
- 153(L) \* 38(W) \* 93(H) mm • 291(L) \* 52(W) \* 143(H) mm
- 0.55 Kg • 2.12 Kg
- Max. 15m printhead cable • 7" touchscreen LCD
- 0.5" / 1" print height • Connect up to 2 printheads

Anser X1 Thermal Inkjet Printer Controller Technical Specifications	
Max Printheads	2
Display	7-inch Color LCD Capacitive Touchscreen (800 x 480 px) Compatible with most medical and industrial gloves)
Input Device	Pocket-sized IR remote keypad
Printing Functions	Static Data: Text, Logo, Dynamic Data: String, Shift, Counter, Production Date, Expiration Date
Fonts & Sizes	Standard: Arial, other TrueType fonts can be loaded
Dimensions & Weight	11.5 x 5.6 x 2 in./4.7 lbs. 291 x 142 x 52mm/2.12 Kg
Operating Temp.	32-104° Fahrenheit (0-40° Celsius)
Communications Protocols	TCP/IP/UDP, Modbus TCP, and ANSER U2 Net protocol
Power Input	AC 100V-240V, 50/60Hz (90 Watt)
I/O Ports	USB 2.0 connector x 2 RS-485 and RS-232 connector x 1 RJ-45 connector x 1 Digital I/O connector (1 IN and 5 OUT pins) Encoder x 1 Photocell x 1
Barcode Type	EAN8, EAN13, EAN14, EAN128, UPCA, UPCE, CODE39, CODE128, ITF14 (SCC-14), NVE18 (SSCC-18), INTER25, CODABAR, PDF417, DATAMATRIX, QR CODE, GS1 (DATAMATRIX, DATABAR EXP, DATABAR, QR CODE), D'MATRIX 8x32, DUN14, Aztec Code
Operating RH.	0%~90%, non-condensing
IP Rating	IP66 housing



Anser X1 Thermal Inkjet Printer Printhead Technical Specifications	
Printing Technology	High-resolution thermal inkjet
Print Height	Single Printhead: 5-inch (12.7mm) or 1-inch (25.4mm)
	Stitch Printhead: 1-inch (12.7mm x 2 @ 25.4mm) 1.97-inch (25.4mm x 2 @ 50mm)
Printing Resolution	600 x 600 DPI
Printing Speed	S30m/min @ 600 DPI
	300m/min @ 60 DPI
Printing Distance	25 inches (6mm)
Operating Temp.	32-104° Fahrenheit (0-40° Celsius)
Operating RH.	0%~90%, non-condensing
Dimensions & Weight	3.2 x 1.2 x 8.3 in/1 lbs.
	82 x 30 x 210 mm/0.46kg
Printhead Cables	- Standard: 2M
	- Optional: 5M, 10M, 15M

# Anser A1 Thermal Inkjet Printer



- 170(L) \* 125(W) \* 136(H) mm
- 1.8 Kg
- 5" touchscreen LCD

## Features & Specifications

### Benefits of the Anser A1 Thermal Inkjet Printer



The Anser A1 offers coding possibilities that other thermal inkjet printers can't match. Compatible with both porous and non-porous substrates, the Anser A1 is built to meet the coding needs of companies across the manufacturing and packaging spectrum. The unique and innovative design creates a versatile printer that can grow and change with you as your production needs change. The Anser A1 can control two independent printheads, utilizing two different inks while being controlled by a single controller.

Other benefits of the Anser A1 include:

- The ability to simultaneously control two production lines.
- A 1-inch print height with a single printhead and a 2-inch print height with dual printheads.
- Multiple printhead configurations to match your production needs.
- A 5-inch color LCD touchscreen with complete protection against water and physical damage.
- Pause-free cartridge replacement to prevent downtime while using "Parallel Setup."
- Scan to Print feature.

### Anser A1 Application Specialties

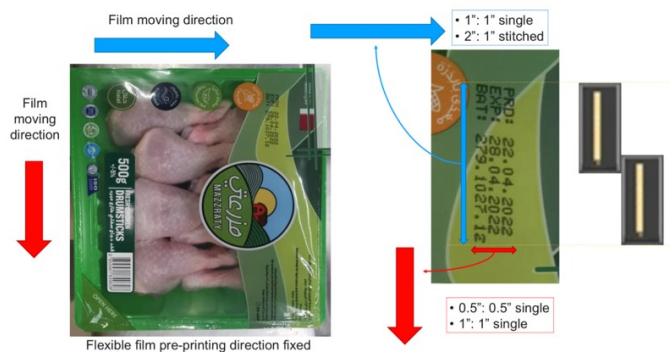
Offering the marking speed of a CIJ system, the print height of a **high-resolution case coder**, and the high-resolution capabilities of an **industry-leading TIJ printer**, the Anser A1 is ideal for a wide range of marking tasks.

The Anser A1's 300 m/min max speed makes the model a perfect fit for primary packaging lines, such as those in bottling and canning facilities. Further, the A1's unique dual production line support provides users with the ability to instantly scale up production. One controller can control two different print stations with two different messages using two different inks, and one controller with two heads can replace two systems, either in primary or case coding. The Anser A1 is also optimal for secondary packaging applications, as the A1's 2-inch print height and 600 x 600 DPI capabilities are ideal for case coding.

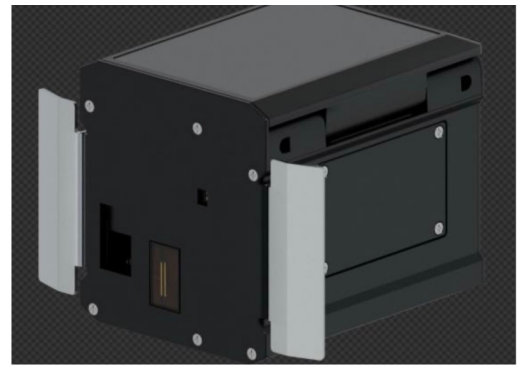
Popular uses for the Anser A1 include marking:

- **Aerospace and automotive parts**
- **Food packaging**
- **Beverage bottles and cans**
- **Chemical packaging**
- **Personal care products**
- **Pharmaceutical packaging**

For a more complete understanding of the Anser A1's capabilities, see the chart below to view the A1's full technical specifications



# Anser A1 Thermal Inkjet Printer



## Anser A1 Thermal Inkjet Printer Controller Technical Specifications

Printing Technology	High Resolution Thermal Inkjet
Cartridge Support	HP & IJT
Display	5" Color LCD Capacitive Touchscreen 480x800 (portrait) (Compatible with most of the medical and industrial gloves.)
Print Height	0.5" Single Printhead: 12.7mm (0.5 inch) 1.0" Single Printhead: 25.4mm (1.0 inch) Stitch Printheads: 25.4mm x 2 @ 48.7mm (1.92 inch)
Maximum Printing Resolution	600 DPI
Maximum Printing Speed	60.96 @ 300 DPI & 121 m/min @ 150 DPI
Maximum Print Distance	6mm
Printing Functions	1. Static Data: Text, Shape, and Image 2. Dynamic Data: Variables, Shift, Counter, Date/Time, and Barcodes
Font Type	True Type Fonts: Amiri-Regular, Arimo-Regular, DejaVuSans, NotoSans-Regular, OCR-B, Open-Sans-Regular and Sarabun-Regular Open Type Fonts: NotoSansCJKtc-Medium, NotoSansKR-Regular, NotoSansJP-Regular, and NotoSansTC-Regular
System Language	Arabic, Bulgarian, Serbian, Czech, German, English, Spanish, French, Korean, Italian, Hungarian, Dutch, Japanese, Polish, Portuguese, Russian, Romanian, Slovak, Swedish, Thai, Vietnamese, Turkish, Chinese Traditional, and Chinese Simplified
1D and 2D Barcodes	EAN-8, EAN-13, EAN-14, EAN128, UPCA, UPCE, CODE39, CODE128, ITF14 (SCC-14), NVE18 (SSCC-18) INTER25, CODABAR, PDF417, DATAMATRIX, QR code, GS1 (DataMatrix, DataBar, DataBar EXP, DataBar-Limited, DataBar-Limited Composite, DataBar-Stacked, DataBar-Stacked Composite, QR code), DUN14, and Aztec Code
System Language	Arabic, Bulgarian, Serbian, Czech, German, English, Spanish, French, Korean, Italian, Hungarian, Dutch, Japanese, Polish, Portuguese, Russian, Romanian, Slovak, Swedish, Thai, Vietnamese, Turkish, Chinese Traditional, and Chinese Simplified
1D and 2D Barcodes	EAN-8, EAN-13, EAN-14, EAN128, UPCA, UPCE, CODE39, CODE128, ITF14 (SCC-14), NVE18 (SSCC-18) INTER25, CODABAR, PDF417, DATAMATRIX, QR code, GS1 (DataMatrix, DataBar, DataBar EXP, DataBar-Limited, DataBar-Limited Composite, DataBar-Stacked, DataBar-Stacked Composite, QR code), DUN14, and Aztec Code
I/O Ports	1. RJ-45 port x 1 2. Encoder port x 1 3. RS-232/485 port x 1 4. 4. Photocell sensor port x 1 5. I/O port x 1 6.6. USB 2.0 port x 1
Communication Protocols	Modbus TCP IP / UDP, Modbus RTU 485
Dimensions	169.8mm (L) x 136mm (H) x 125mm (W) (6.69 inch x 5.35 inch x 4.92 inch)
Weight	1.8kg (3.97lb) w/o guide plate
Operating Temperature	0°C - 40°C (32°F - 104°F)
Operating Humidity	0% - 90% RH, non-condensing

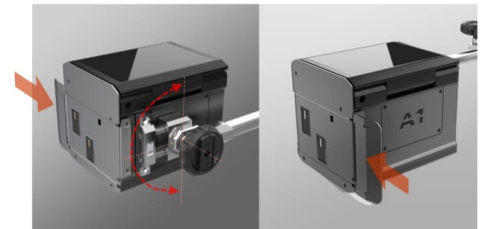
## All-In-One A1 Outlook and Design - 2

ANSEF



## 180° Adjustable Bracket for Easy Installation

ANSEF

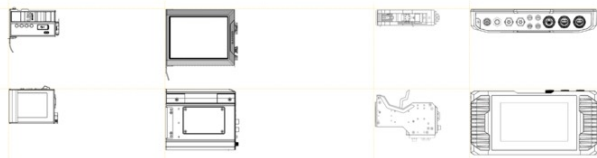


## Q&A

## ANSEF Printer Size and Weight Comparison

ANSEF

U2                      A1                      X1



• 114 (L) x 60 (W) x 76 (H) mm	• 170(L) * 125(W) * 136(H) mm	• 153(L) * 38(W) * 93(H) mm	• 291(L) * 52(W) * 143(H) mm
• 0.49 kg	• 1.8 Kg	• 0.55 Kg	• 2.12 Kg
• 3.5" LCD	• 5" touchscreen LCD	• Max. 15m printhead cable	• 7" touchscreen LCD
• 0.5" / 1" print height	• 0.5"-1.92" print height	• 0.5" / 1" print height	• Connect up to 2 printheads

