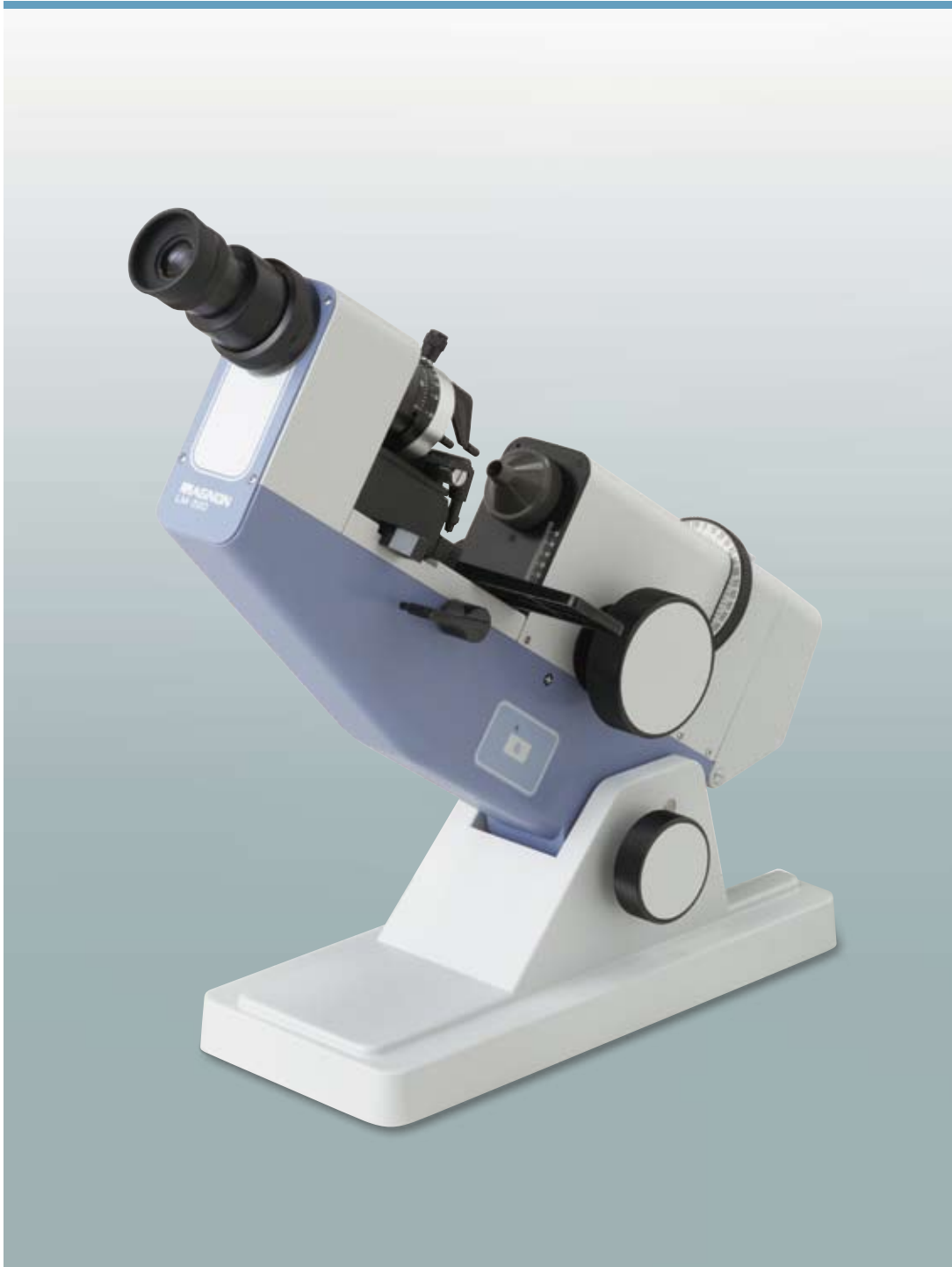


# LM-390

Lensmeter



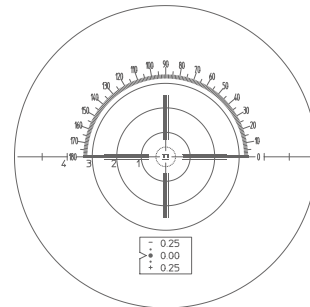
**MAGNON**

# LM-390 Lensmeter

The MAGNON LM-390 Lensmeter enables you to measure a variety of lenses accurately including single vision, bifocal and contact lenses.

## FEATURES

- Internal reading system
- Cross line and corona target
- Battery operated
- LED illumination
- Cartridge type marker
- Prism compensator (LM-390P)



## SPECIFICATIONS

<b>Eyepiece focusing</b>	+7D ~ -10D
<b>Vertex power</b>	Range : 0 ~ ±25D Step : 0.125 (upto ±3D) 0.25D (beyond ±3D)
<b>Prismatic power</b>	Range : 0 ~ 5 Δ (LM-390) 0 ~ 20 Δ (LM-390P) Step : 1 Δ
<b>Cylindrical axis</b>	Range : 0° to 180° Step : 1°
<b>Lens diameter</b>	24mm ~ 90mm
<b>Instrument tilt</b>	Even to upright 90°freely adjustable
<b>Light source</b>	Green LED
<b>Power source</b>	DC 3V (2 x AAA), Auto shut off: 5 min.
<b>Dimensions</b>	475(H) x 130(W) x 330(L) mm
<b>Weight</b>	5 kg
<b>Finish</b>	White gray and blue gray
<b>Accessories</b>	1 vinyl dust cover, 3 Nosepieces (Standard/Contact/Bifocal), 2 AAA alkaline batteries

\*Specifications and design are subject to change for improvement without notice.

## H.OGINO & CO.,LTD.

Yokohama Port P. O.Box 170, Yokohama 231-8691, Japan  
Tel: (045)662-5261 Fax: (045)651-5467  
E-mail : magnon@h-ogino.co.jp URL : www.h-ogino.co.jp