



Terminal in separate compartment for safety



Safety cable loop

# Ex MABAH LINEAR HIGHBAY

- + Low power consuming, high efficacy LED source
- + Shock and vibration resistant tempered glass
- + Anti-glare lens and cover
- + High efficiency LED Driver suitable for harsh environments
- + High strength aluminium alloy enclosure can endure 20J impact
- + Robust construction suitable for saltwater and corrosive applications
- + Ambient temperature from -40°C to 55°C
- + Surge protection: 5KV

### Certifications & Ratings

- + II 2 G Ex d IIB T5 / T6 Gb  
II 2 D Ex t IIIC T95°C / T80°C Db IP66  
ATEX | IECEx | ABS | CE | RoHS Compliant

### Application

- Oil & Gas Operations
- Manufacturers
- Petrol Stations
- Power Plants
- Drilling Platforms
- Warehouses

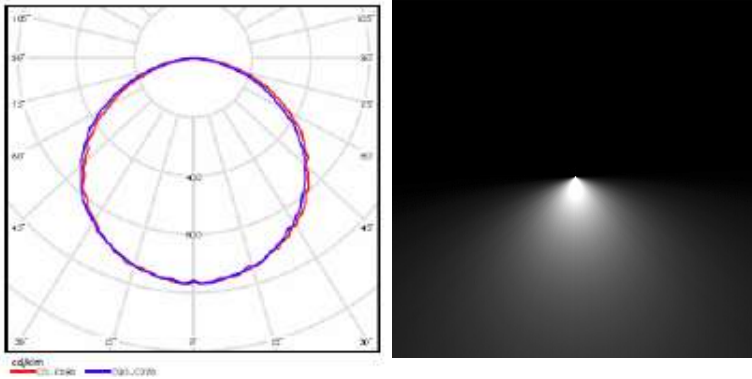


### Electrical Parameters

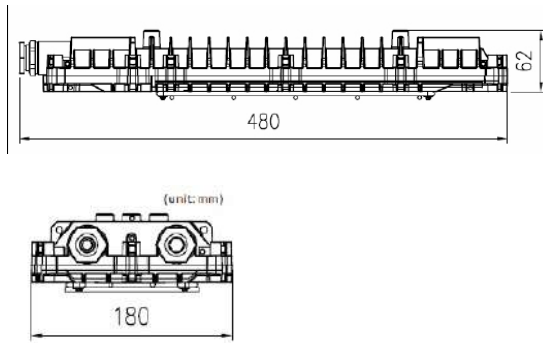
MODEL	ETG-EXMBHLED18	ETG-EXMBHLED30
Power (W)	18	30
Luminous Flux (lm)	2340	3900
Input voltage	AC 100-277V	
Rated current	0.18-0.08	0.3-0.13
Power factor	>0.98	
THD	<10%	
CCT (K)	2700~3300 (WW)   3700~4300 (NW)   5400~6400 - (CW)	
CRI	70	
IP RATING	IP66	
Dimensions & Weight	L480 X W180 x H62 mm   5 kg	
Ambient Temperature	-40°C ~+55°C (T6)	
Replacement	Fluorescent lamp: 2*18W	4*18W / 2*36W
Warranty	5 Years ( 50,000 hrs)	



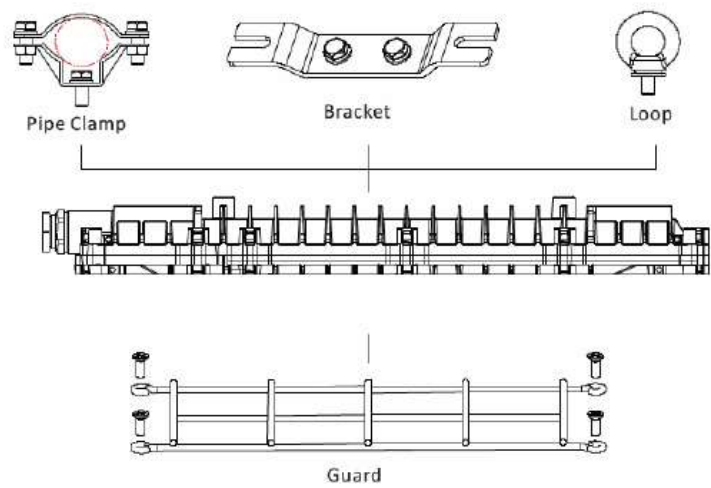
### Candela Distribution



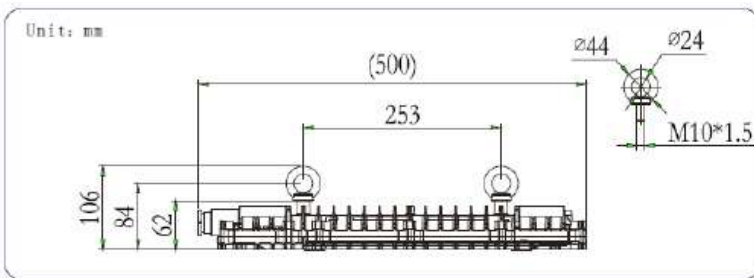
### Dimensions



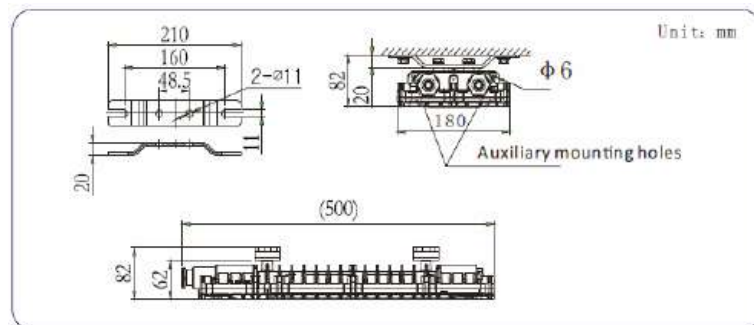
### Optional Accessories



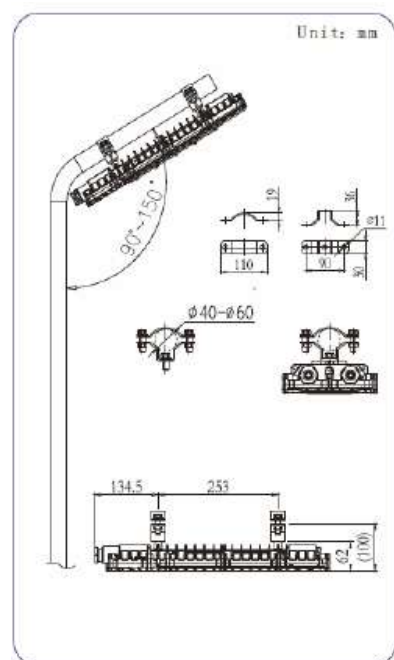
### Mounting Method



Pendant Mount



Ceiling Mount



Pipe Mount