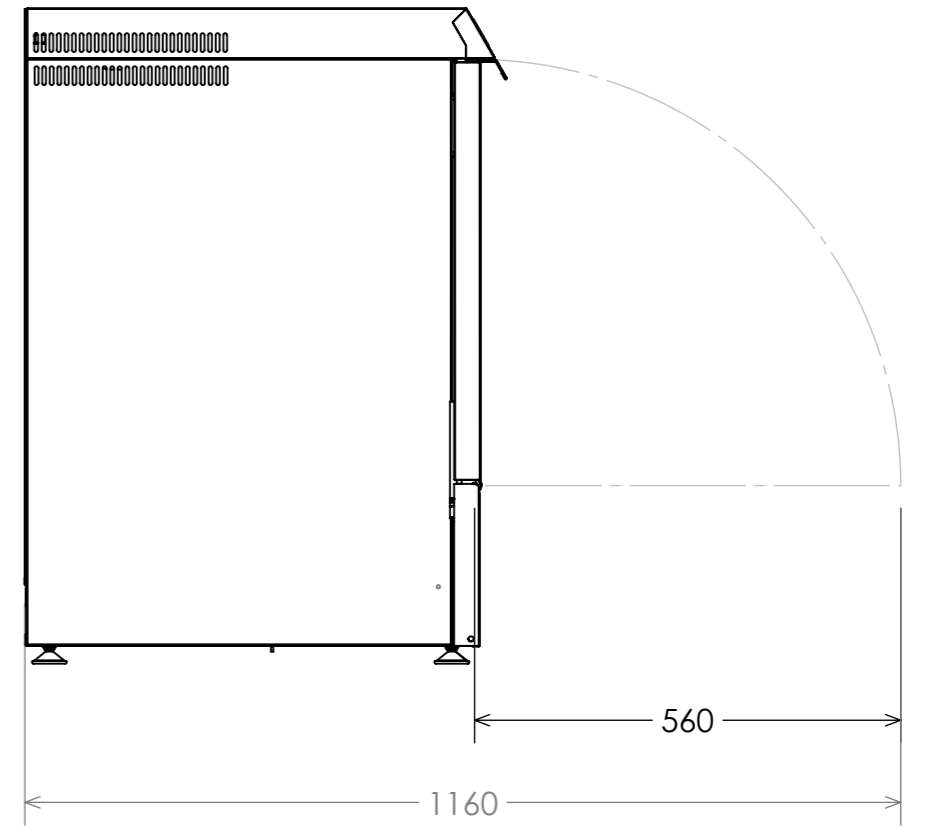
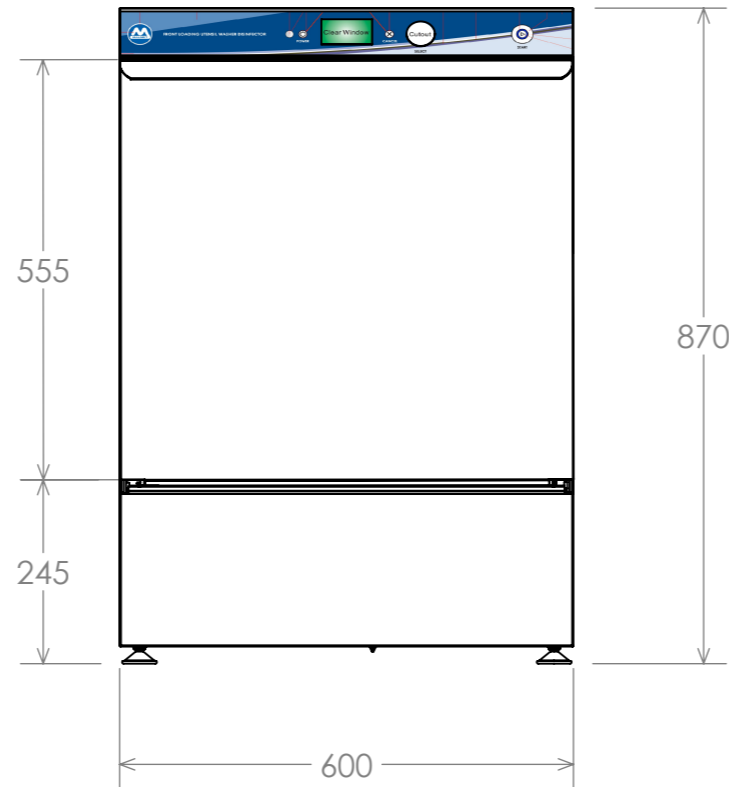
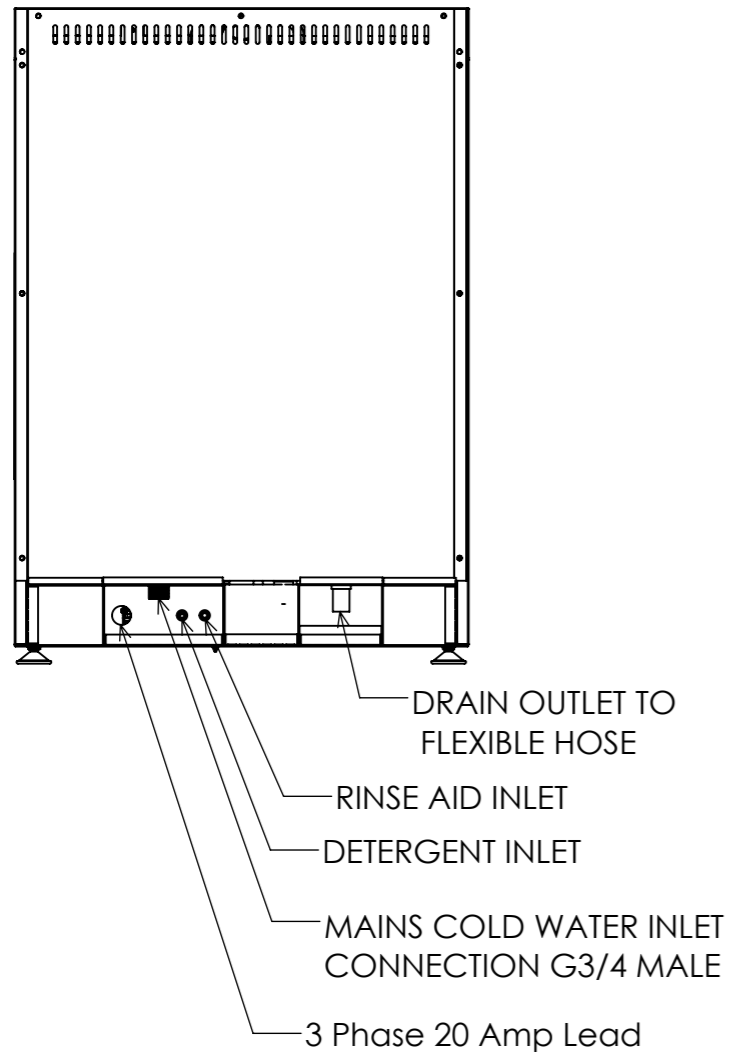
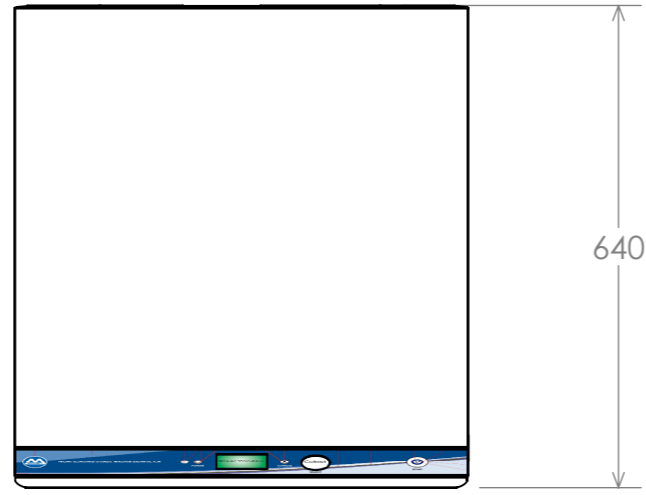



WASHER DISINFECTOR FRONT LOADER



01	20-7-2020	PRODUCTION APPROVED		.	AS	JJ	JJ	 <b>MALMET</b>		<b>WASHER DISINFECTOR FRONT LOADER</b>					
ISSUE	DATE	CHANGE		E.C.N	DRN	CKD	APP	TOLERANCE UNLESS NOTED	THIRD ANGLE PROJECTION	MATL.	FINISH	Date 20-7-2020	Scale 1:1	DRN AS	ISSUE
								DIMENSIONS ± 0.25	DIMENSIONS IN MILLIMETRES	AS NOTED	AS NOTED	CKD	APP		
								ANGLES ± 0.25°	DO NOT SCALE						
THIS DRAWING IS COPYRIGHT. COPYING IN WHOLE OR IN PART IN TWO OR THREE DIMENSIONS IS EXPRESSLY FORBIDDEN EXCEPT WITH PRIOR WRITTEN PERMISSION.															
														01	<b>A3</b>